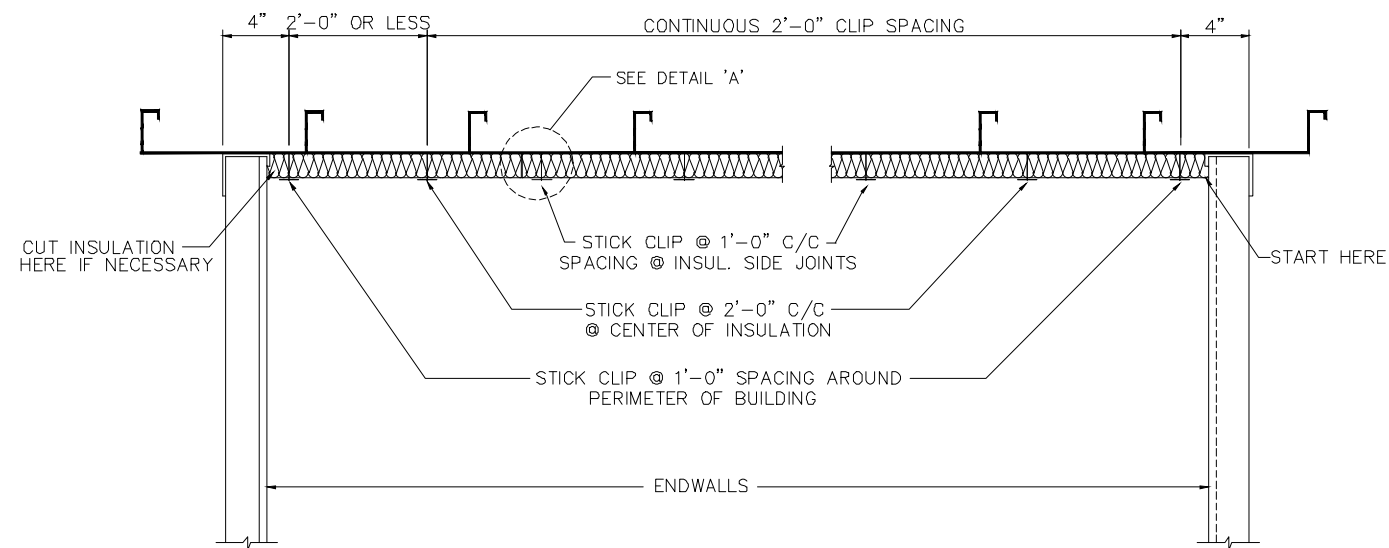
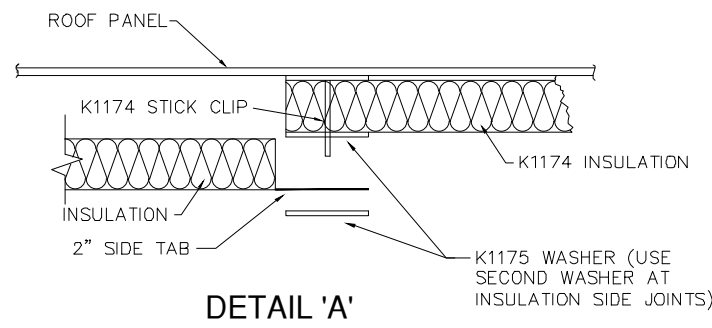


TYPICAL CROSS SECTION THROUGH SIDEWALLS



TYPICAL CROSS SECTION THROUGH ENDWALLS



DETAIL 'A'

**CAUTION!!**

VINYL BECOMES BRITTLE AS THE TEMPERATURE DECREASES. INSTALLING VINYL FACED INSULATION BELOW 40° F MAY RESULT IN CRACKS IN THE FACE AND LOSS OF VAPOR BARRIER.

INSTALLATION INSTRUCTIONS

- STEP 1. (GALVALUME ROOF ONLY)** BEFORE APPLYING ADHESIVE & STICK CLIPS TO UNDER SIDE OF ROOF PANELS, SPOT CLEAN AREA WITH SOLVENT TO REMOVE OIL FILM FOR PROPER ADHESION.
- STEP 2.** APPLY STICK CLIPS WITH ADHESIVE TO ROOF PANELS AS SHOWN IN CROSS SECTIONS ABOVE. FOLLOW INSTRUCTIONS ON ADHESIVE CAN FOR PROPER INSTALLATION.
- STEP 3.** APPLY INSULATION BY STRETCHING TIGHT & IMPALING OVER STICK CLIPS, THEN SECURING WITH PUSH-ON WASHERS. PLACE FIRST STRIP OF INSULATION PARALLEL WITH ENDWALL AND RUN FULL WIDTH OF BUILDING. **NOTE:** INSULATION IS SUPPLIED IN 25'-0" LONG ROLLS. SPLICING OF INSULATION WILL BE REQUIRED ON CERTAIN WIDTH BUILDINGS. INSULATION QUANTITIES ARE DETERMINED SO PIECES OF INSULATION LESS THAN 4'-0" IN LENGTH CAN BE DISCARDED. INSULATION SHOULD BE STRIPPED BACK AT SPLICES TO CREATE A TAB SIMILAR TO SIDE TABS AND SECURED WITH SECOND K1175 WASHER. CONTINUE WITH ADDITIONAL STRIPS IN A SIMILAR MANNER DOWN LENGTH OF BUILDING.
- STEP 4.** MAKE CUT OUTS IN INSULATION WHERE REQUIRED FOR VENTILATORS, ROOF CURBS OR SKYLIGHTS, AND TAPE RAW EDGES OF CUT OUTS. K1171-TP REPAIR TAPE IS PROVIDED FOR THIS USE AND TO REPAIR ANY DAMAGE TO FACING.

REVISIONS	BY
9-3-98	DLR
1-14-05	WBD

MYSCALE


**PARKLINE, INC.**  
 P. O. Box 65 Winfield, WV 25213  
 phone: (304) 586-2113

JOB DESCRIPTION  
**INSTALLATION OF "BLANKET" ROOF  
 INSULATION FOR TYPE 'AL' BUILDINGS**

SHEET TITLE

DATE	10-2-96
DRAWN BY	KAG
SCALE	N.T.S.
ORDER NO.	
REVISION	2

DWG. NO.  
**RFINS-AL**