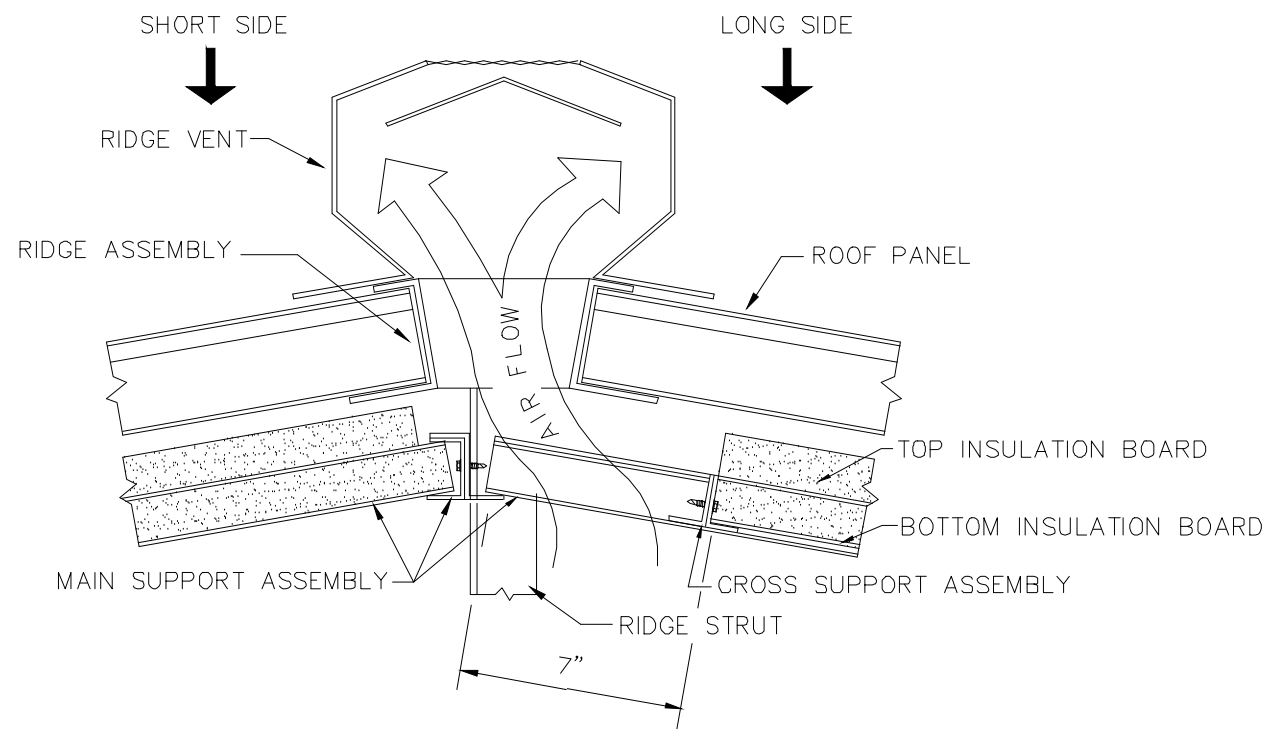


**CIRCULAR VENT DETAIL**

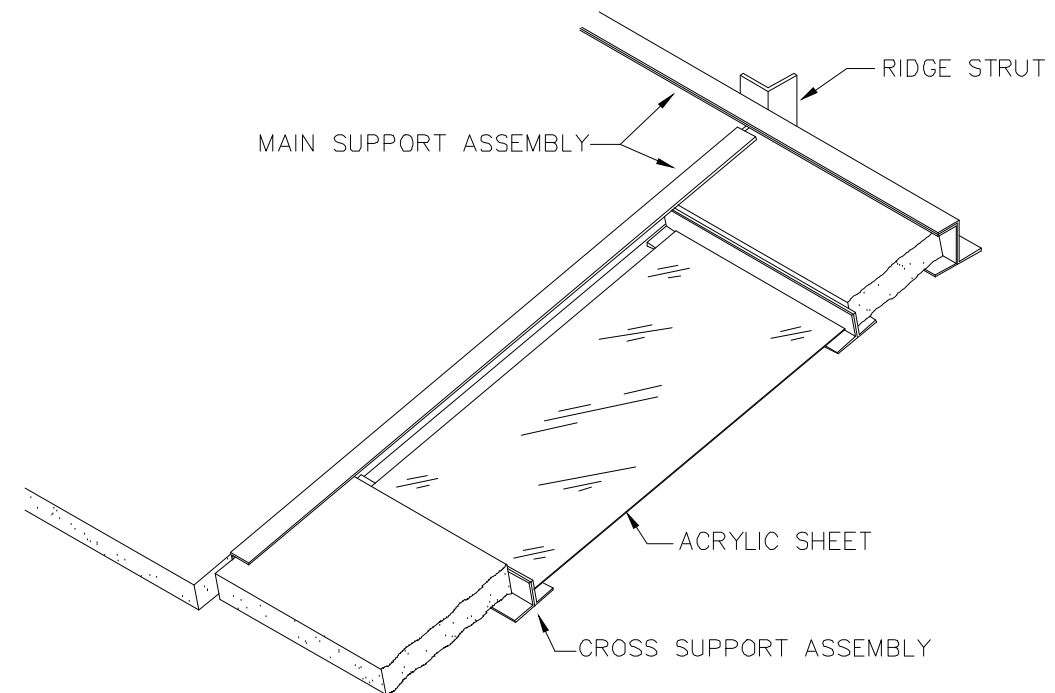
IF A CIRCULAR VENT IS TO BE INSTALLED IN THE ROOF PANEL, A CIRCULAR HOLE MUST BE CUT IN THE BOARD INSULATION SHEETS AT THE SAME LOCATION AS THE VENT AND TRIM THE EDGES OF THE CIRCULAR HOLE USING "KRTAPE".



**SECTION THRU RIDGE w/ VENT**

IF RIDGE VENTS ARE TO BE INSTALLED AT THE RIDGE, THEN THE "LONG SIDE" BOARD INSULATION MUST BE CUT BACK 7" IN LENGTH TO ALLOW A 4" AIR FLOW AT THE RIDGE VENT LOCATION. USE A CROSS SUPPORT ASSEMBLY TO CAP OFF THE END OF THE BOARD INSULATION.

**NOTE:** THE THERMA-ROOF INSULATION SYSTEM IS DESIGNED TO PROVIDE AN EFFICIENT INSULATION SYSTEM. ANY OPENINGS INSTALLED THROUGH THE INSULATION SYSTEM WILL DECREASE THE SYSTEMS EFFICIENCY. PARKLINE RECOMMENDS THAT OPENINGS BE KEPT TO A MINIMUM.



**SKYLIGHT DETAIL**

IF SKYLIGHTS ARE TO BE INSTALLED IN THE ROOF, THEN IT WILL BE NECESSARY THAT THE BOARD INSULATION JOINTS FALL ON AN EVEN ROOF PANEL INCREMENT. IT STILL MAY BE NECESSARY TO CUT THE BOARD INSULATION TO ALIGN WITH THE SKYLIGHT PANEL. PLACE A MAIN SUPPORT ASSEMBLY ON EACH SIDE OF THE SKYLIGHT LOCATION. THEY SHOULD BE APPROXIMATELY 16" APART. FIELD CUT CROSS SUPPORT ASSEMBLIES TO 16" LENGTHS AND PLACE AT THE TOP AND BOTTOM OF THE SKYLIGHT OPENING. A PIECE OF ACRYLIC SHEET IS PROVIDED TO BE PLACED INSIDE THIS FRAMED AREA. CONTINUE WITH NORMAL THERMA-ROOF INSULATION SYSTEM INSTALLATION PROCEDURES.

REVISIONS	BY
11-29-07	RAP
11-4-08	BAS

**PARKLINE, INC.**  
 P O Box 65 Winfield, WV 25213  
 phone: (304) 586-2113

JOB DESCRIPTION  
**THERMA-ROOF SYSTEM  
 INSTALLATION DETAILS  
 FOR TYPE 'AL' BUILDINGS**

SHEET TITLE  
**DETAILS FOR OPTIONAL ITEMS**

DATE	03-15-06
DRAWN BY	CEM
SCALE	NTS
ORDER NO.	
REVISION	2

DWG. NO.  
**TR-AL-4**