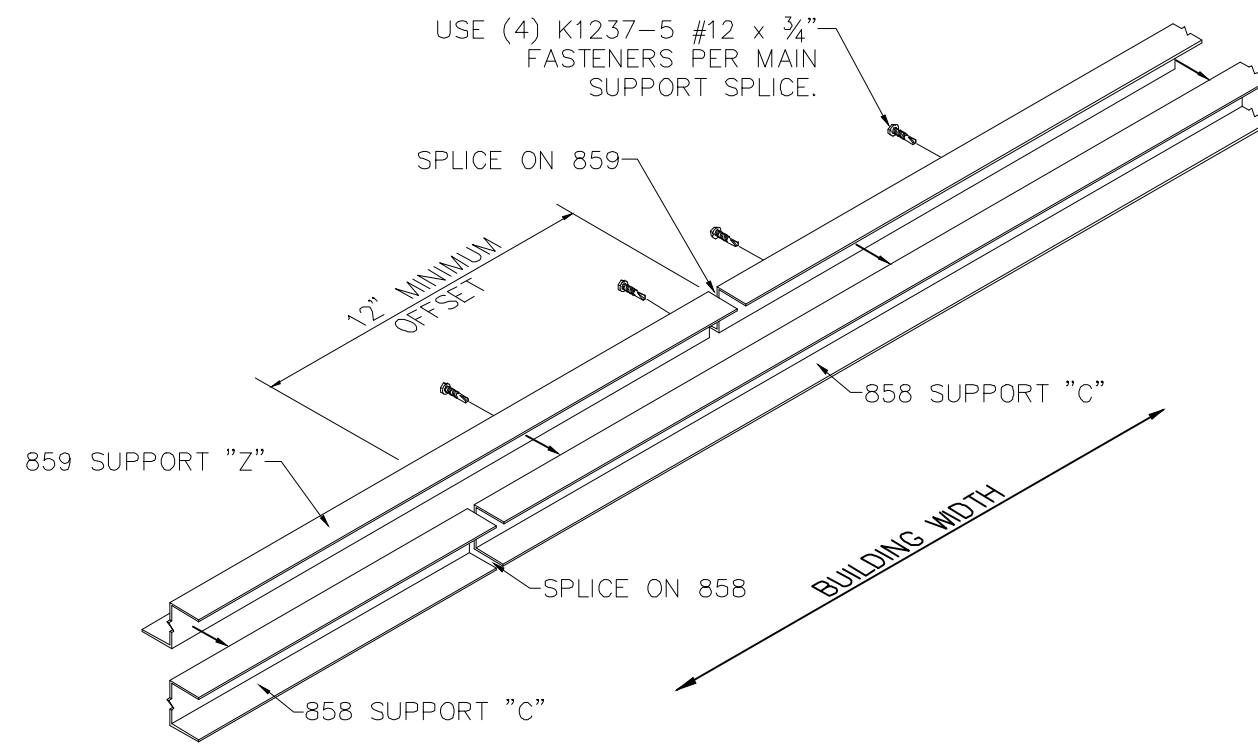
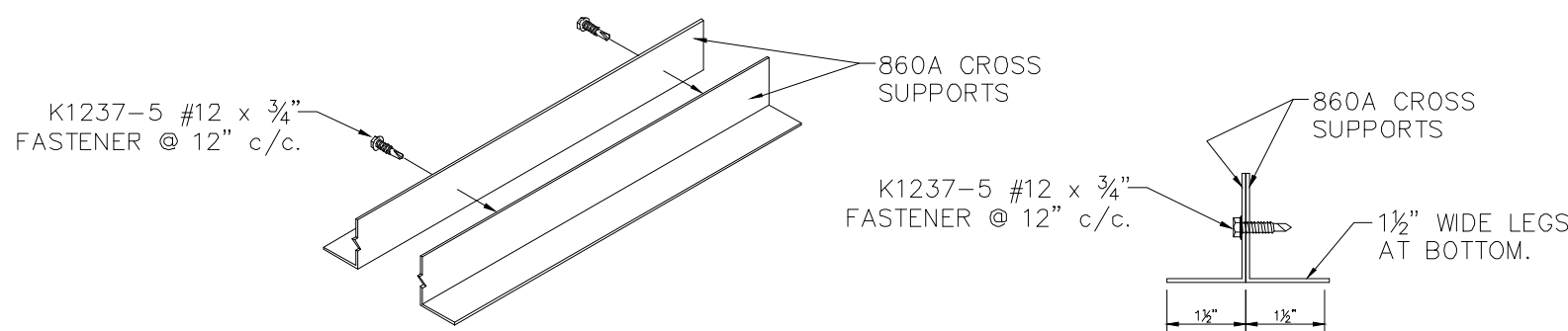


NOTES:

- BEFORE BEGINNING INSTALLATION, TAKE A FEW MOMENTS TO REVIEW ALL NOTES, STEPS, AND DETAILS PERTAINING TO THE INSTALLATION OF THE THERMA-ROOF SYSTEM. IF YOU HAVE ANY QUESTIONS, CONTACT PARKLINE BEFORE PROCEEDING.
- THE THERMA-ROOF INSULATION SYSTEM **MUST** BE INSTALLED DURING ROOF INSTALLATION.
- THE THERMA-ROOF INSULATION SYSTEM IS MADE UP OF TWO LAYERS OF 1½" THICK INSULATION BOARD. EACH BOARD IS 48" WIDE x 96" LONG. PART NUMBER KR1508 HAS A WHITE FINISHED SIDE WHICH WILL ALWAYS BE THE FIRST LAYER WITH WHITE SIDE DOWN. PART NUMBER KL1508 HAS A FOIL FACE ON BOTH SIDES AND WILL ALWAYS BE THE TOP LAYER.
- WHEN INSTALLING THE TOP LAYER OF INSULATION MAKE SURE THAT INSULATION SPLICES DO NOT LINE UP. OFFSET SPLICES BOTH IN WIDTH AND ALSO LENGTH. THE OFFSETTING OF SPLICES HELP MAINTAIN THE SYSTEM'S INSULATION VALUES. PARKLINE RECOMMENDS CUTTING 6" OFF THE SIDE AND 6" OFF THE END OF THE FIRST TOP LAYER BOARD INSULATION.
- ONLY THE LOWER INSULATION BOARD USES THE MAIN AND CROSS SUPPORT ASSEMBLIES. THE UPPER LAYER JUST LAYS ON TOP OF THE FIRST LAYER. MAIN SUPPORTS RUN ACROSS THE WIDTH OF THE BUILDING.
- MAIN SUPPORT ASSEMBLIES ARE MADE UP OF PART NUMBERS 858A/B AND 859A/B. THESE PARTS ARE PROVIDED IN 8'-0" AND 12'-0" LONG SECTIONS. IF BUILDING IS OVER 16'-0" WIDE OR CONTAINS ROOF ACCESSORIES, CROSS SUPPORT ASSEMBLIES WILL BE REQUIRED. CROSS SUPPORT ASSEMBLIES ARE MADE UP OF (2) PART NUMBERS 860A AND ARE 48" LONG. THESE PARTS SHOULD BE PRE-ASSEMBLED ON THE GROUND BEFORE STARTING. SEE **CROSS SUPPORT DETAILS** TO THE RIGHT, **MAIN SUPPORT DETAILS** BELOW AND **STEP 2** ON DRAWING **TR-S-2**.
- THE MAIN SUPPORT ASSEMBLIES SHOULD ALWAYS BE SPACED TO ALIGN WITH A ROOF PANEL RIB ABOVE. THIS IS ESPECIALLY CRITICAL WHEN USING ROOF HANGERS, ROOF VENTS, SKYLIGHTS AND ROOF CURBS. TO ENSURE THAT THE MAIN SUPPORTS ALIGN WITH A ROOF PANEL RIB MEASURE INTERIOR LENGTH OF BUILDING (RIB TO RIB). NEXT DEDUCT AS MANY 4'-0" INCREMENTS AS POSSIBLE FROM THIS DIMENSION AND DIVIDE THE REMAINDER BY TWO. THIS GIVES THE LOCATION OF THE FIRST AND LAST MAIN SUPPORTS. MAKE SURE THAT THIS LOCATION DOES ALIGN WITH A ROOF PANEL RIB ABOVE. DUE TO NON-STANDARD BUILDING LENGTHS AND SPECIAL WIDTH ROOF PANELS, IT MAY BE NECESSARY TO ADJUST THIS LOCATION.
- IF THE BUILDING WIDTH REQUIRES THE MAIN SUPPORT ASSEMBLIES TO BE SPLICED (WIDER THAN 12'-6"), SPLICES SHOULD BE OFFSET FOR STRENGTH. SEE **DETAIL AT MAIN SUPPORT SPLICE**.
- IF THE BUILDING WIDTH EXCEEDS 16'-0", IT BECOMES NECESSARY TO INSTALL A ROOF HANGER IN EACH ROOF PANEL RIB THAT ALIGNS WITH A MAIN SUPPORT. MEASURE AND CUT ROOF HANGERS AS REQUIRED. SEE **ROOF HANGER DETAIL** ON DRAWING **TR-S-2**.
- IF BUILDING ROOF HAS ANY TYPE OF PENETRATION SEE DRAWING **TR-S-3** FOR ADDITIONAL DETAILS.

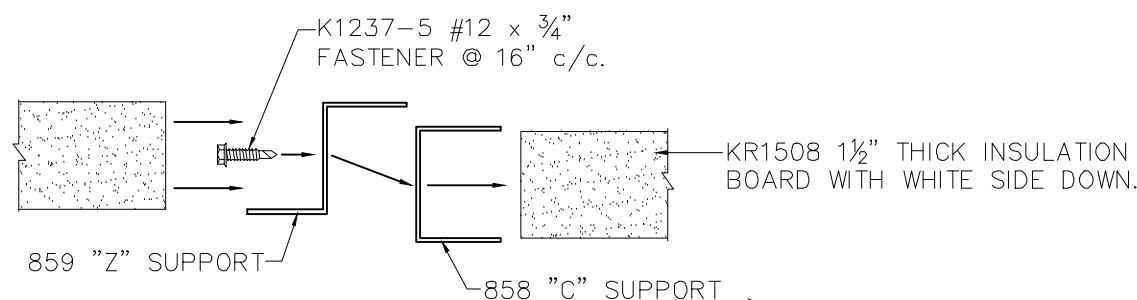


DETAIL AT MAIN SUPPORT SPLICE
FOR BUILDINGS OVER 12'-0" WIDE ONLY!

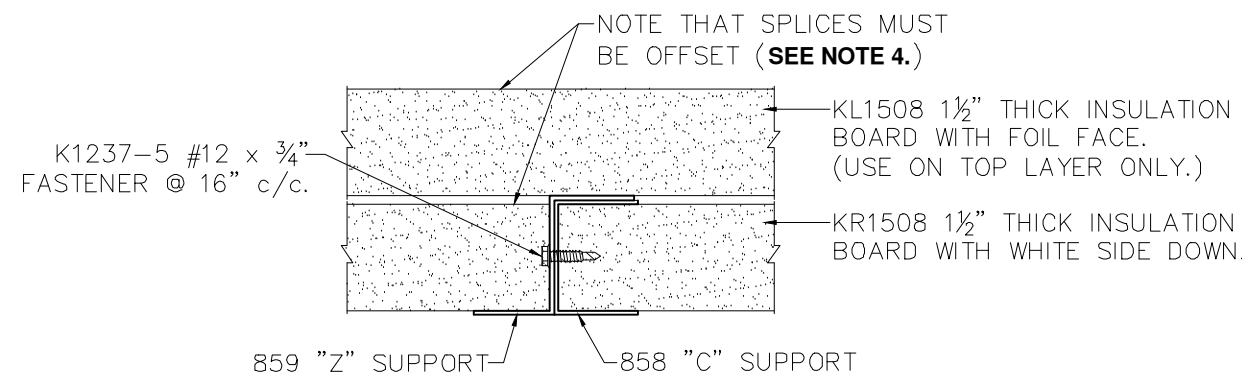


DETAIL AT CROSS SUPPORTS
FOR BUILDINGS OVER 8'-0" WIDE OR WITH ROOF ACCESSORIES!

CROSS SUPPORT SECTION



EXPLODED VIEW OF MAIN SUPPORT



MAIN SUPPORT SECTION

MAIN SUPPORT DETAILS

REVISIONS	BY
11-29-07	RAP
12-05-07	BAS

PARKLINE, INC.
P. O. Box 65 Winfield, WV 25213
phone: (304) 586-2113

JOB DESCRIPTION
**THERMA-ROOF SYSTEM
INSTALLATION DETAILS
FOR TYPE 'S' BUILDINGS**

SHEET TITLE
NOTES AND DETAILS

DATE	08-07-06
DRAWN BY	CEM
SCALE	NTS
ORDER NO.	
REVISION	2

DWG. NO.
TR-S-1