

6" STUDWALL

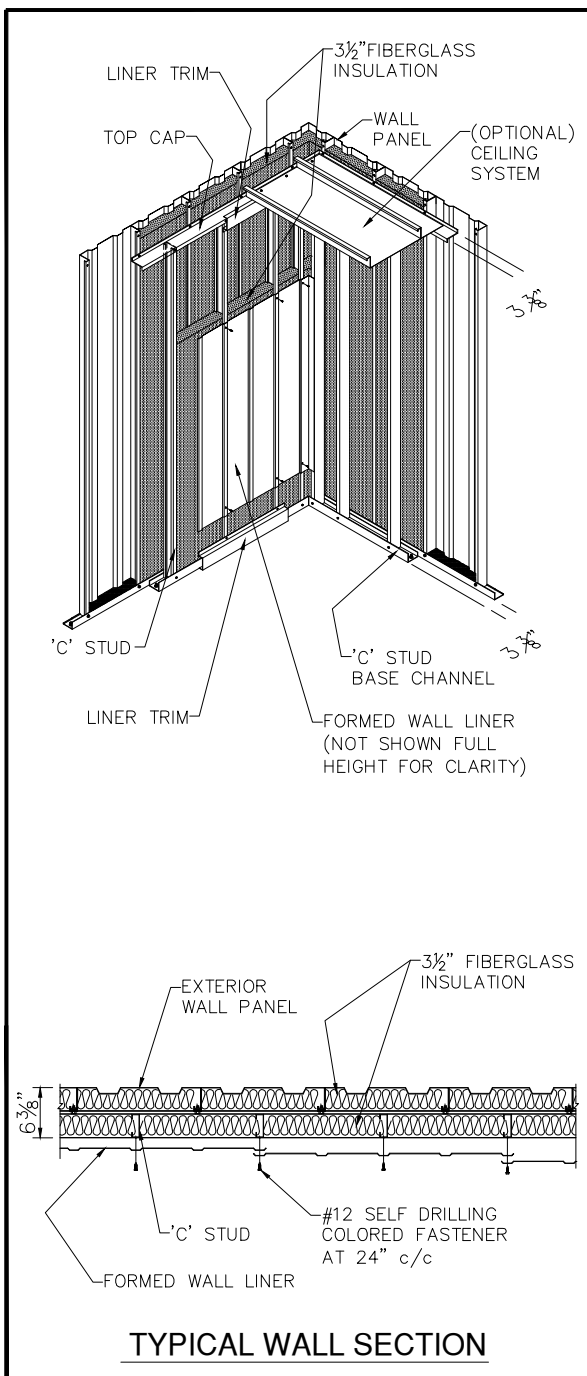
PRODUCT DESCRIPTION

6" STUDWALL

The interior of the building shall be finished with a factory painted, galvanized steel, liner panel having a maximum coverage of 32" and overlap with the adjoining liner panel. The interior surface shall have ¼" high x 1" wide ribs on 8" centers. The liner shall be continuous in length from base trim to ceiling trim except where interrupted by wall accessories. The interior liner panels shall be attached to 3" thick x 1" wide x 14 gauge steel studs spaced 16" on center and located at the midpoint of each exterior wall panel. The void between the studs shall be filled with 16" wide, 3½" thick R-13 unfaced fiberglass insulation. The exterior panel void shall be filled with 16" wide, 3½" thick R-13 unfaced fiberglass insulation.

Exterior Cavity Insulation	R 13
Interior Cavity Insulation	R 13

Calculated system "U" value 0.045 (ASHRAE zone method)



PRODUCT NAME

6" STUDWALL

MANUFACTURER

Parkline, Inc.
 P.O. Box 65
 Winfield, West Virginia 25213
 Phone: (304) 586-2113 in WV
 (800) 786-4855 outside WV
 (304) 586-3842 FAX

web: <http://www.parkline.com>
 E-mail: parkline@parkline.com

 **PARKLINE, INC.**
13122STUD