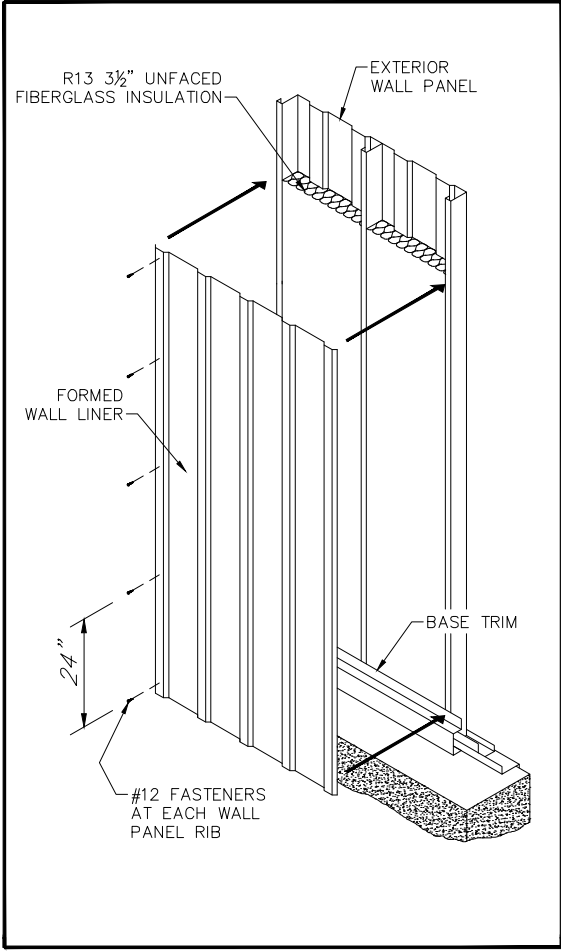


FORMED WALL LINER SYSTEM

PRODUCT DESCRIPTION



Interior liner panels shall have a maximum coverage width of 32" and overlap with the adjoining liner panel. The interior surface shall have 1/4" high x 1" wide ribs on 8" centers. The liner shall be continuous length from base to eave except where interrupted by wall accessories. The exterior panel void shall have a 16" wide, 3 1/2" thick un-faced R13 fiberglass insulation.

Panels shall be roll formed of nominal 26 gauge galvanized steel, pre-painted Arctic White.

The liner panel is attached to the exterior panel ribs on 24" centers with a #12 self drilling fastener that is painted to match the liner.

A matching nominal 26 gauge base trim is furnished as a standard. Ceiling trim is only furnished when a Parkline metal ceiling system is being utilized.

Cavity Insulation	R13
Calculated system "U" value 0.16 (ASHRAE zone method)	

