

A30 ACOUSTICAL WALL

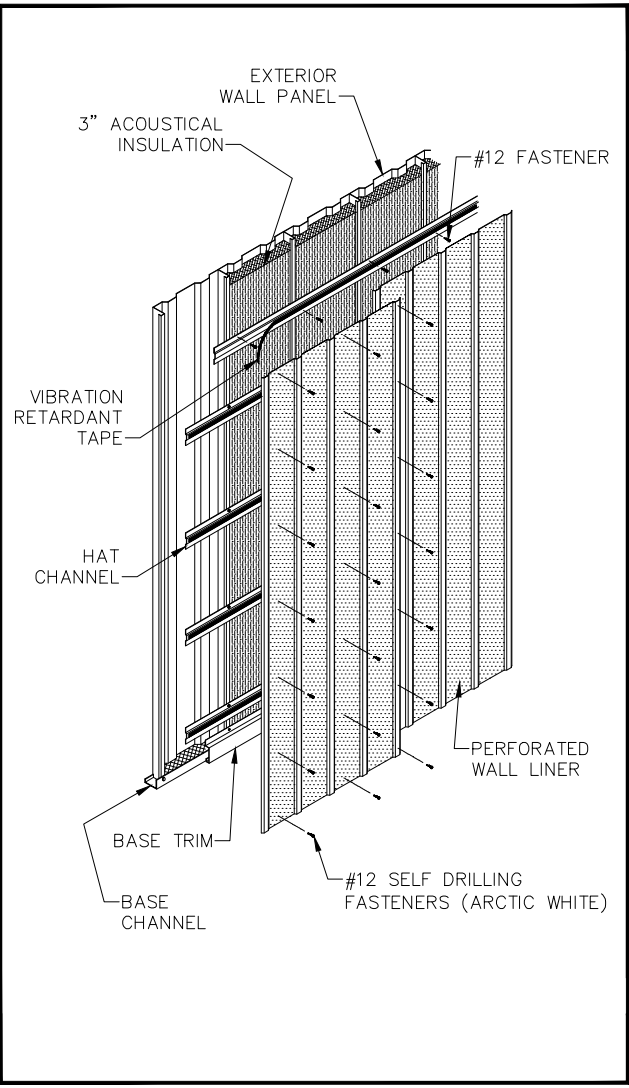
PRODUCT DESCRIPTION

A30 ACOUSTICAL WALL SYSTEM

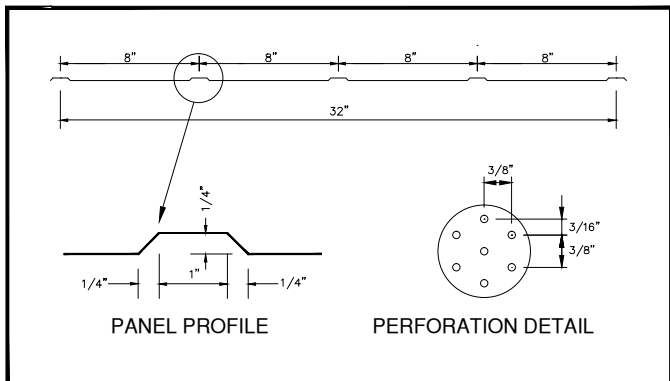
A30 Acoustical Wall System shall have a NRC rating of 0.90 and STC rating of 30. This shall be accomplished by the system described as follows: 3" exterior wall panel, 3" thick, 16" wide, R13, 4# density fibrous acoustical insulation, vibration retardant tape and a perforated interior liner panel as described below.

The interior liner panel shall be roll formed of nominal 26 gauge galvanized steel, prepainted Arctic White with 1/8" diameter perforations spaced on 3/8" staggered centers. The liner panels shall have a minimum coverage width of 32" and overlap with the adjoining liner panel.

The interior surface shall have 1/4" high x 1" wide ribs on 8" centers and is attached to the exterior panel ribs on 24" centers with a matching #12 self drilling fastener. The liner shall be continuous length from base to eave except where interrupted by wall accessories. A matching nominal 26 gauge base trim is furnished as a standard. Ceiling trim is only furnished when a Parkline metal ceiling is being utilized.



Cavity Insulation R 13
 Calculated system "U" value 0.16 (ASHRAE zone method)



The Acoustical Wall Systems have been tested in explicit conformity with the requirements of the ASTM Designations E90-87 and E413-87.



A-LA30