

# A48 ACOUSTICAL WALL

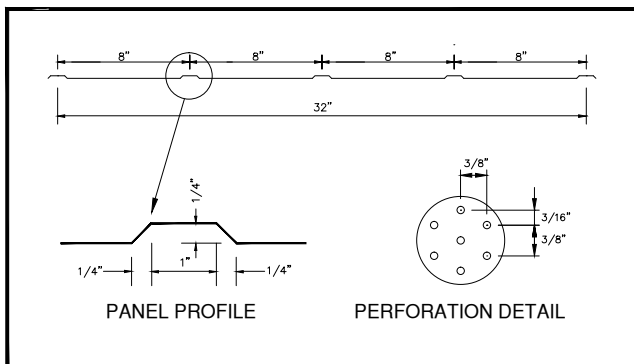
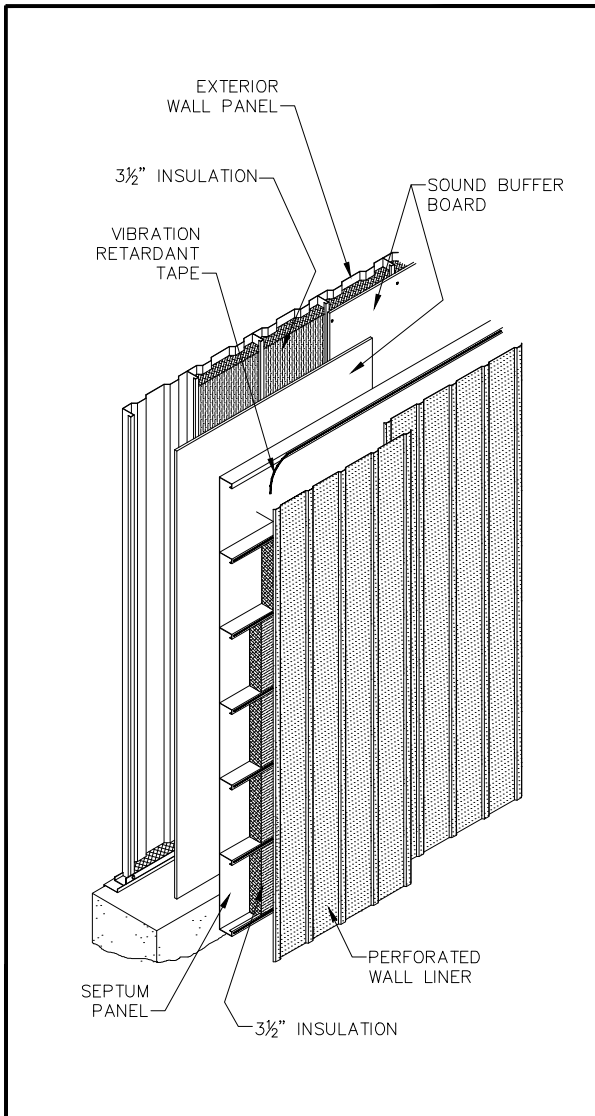
## PRODUCT DESCRIPTION

### A48 ACOUSTICAL WALL SYSTEM

A48 Acoustical Wall System consist of a nominal 24 gauge fluted exterior panel with a minimum 3½" thick, 16" wide, unfaced, R13, fiberglass insulation, a ½" thick sound buffer board shall separate the exterior wall system and a nominal 26 gauge flush metal septum panel. The septum panels shall be installed perpendicular to the exterior wall panels with void filled with 3½" thick, 16", wide, unfaced, R13 fiberglass insulation. A vibration retardant tape will be installed between the septum panel ribs and a perforated liner panel. The system shall have an NRC of 1.00 and STC of 48. Wall accessories may affect overall performance.

The interior liner panel shall be roll formed of nominal 26 gauge galvanized steel, prepainted Arctic White with ⅛" diameter perforations spaced on ⅜" staggered centers. The liner panels shall have a minimum coverage width of 32" and overlap with the adjoining liner panel.

The interior surface shall have ¼" high x 1" wide ribs on 8" centers and is attached to the exterior panel ribs on 24" centers with a matching #12 self drilling fastener. The liner shall be continuous length from base to eave except where interrupted by wall accessories. Ceiling trim is only furnished when a Parkline metal ceiling is being utilized.



Cavity Insulation	R 13
Continuous Insulation	R 0.45
Cavity Insulation	R 13

Calculated system "U" value 0.07 (ASHRAE zone method)

This System has NOT been sound tested



**A-LA48**