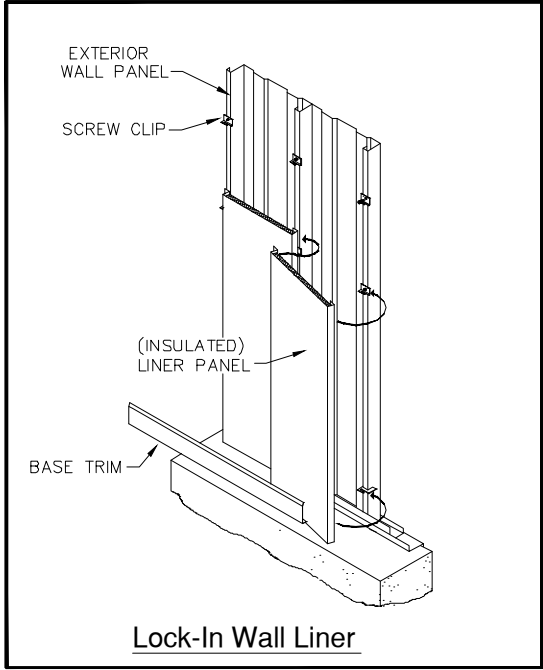


# LOCK-IN WALL LINER



## PRODUCT DESCRIPTION

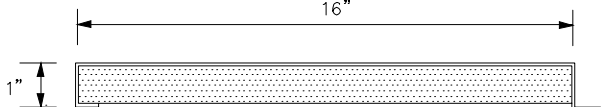
### LOCK-IN WALL LINER

The interior of the building shall be finished with a factory assembled insulated metal liner panel having no exposed fasteners except at the matching base, ceiling and accessory trim.

Liner panels shall be 16" wide, nominal 26 gauge, embossed, galvanized steel, prepainted Arctic White. Insulation shall be non-combustible, nominal 1" thick, 2# minimum density fiberglass laminated to the liner panel.

Cavity Insulation	R 4
-------------------	-----

Calculated system "U" value 0.28 (ASHRAE zone method)



LOCK-IN LINER PANEL