

# TYPE 2 ROLL-IN WALL LINER

## PRODUCT DESCRIPTION TYPE 2 ROLL-IN WALL LINER

The interior of the building shall be insulated with 16" wide, 3 1/2" thick R13 un-faced fiberglass insulation with separate white metalized polypropylene scrimkraft (PSK) facing stretched across the interlocking panel ribs and held in place with a white PVC 1 1/2" wide batten strip attached with #12 self drilling fasteners.

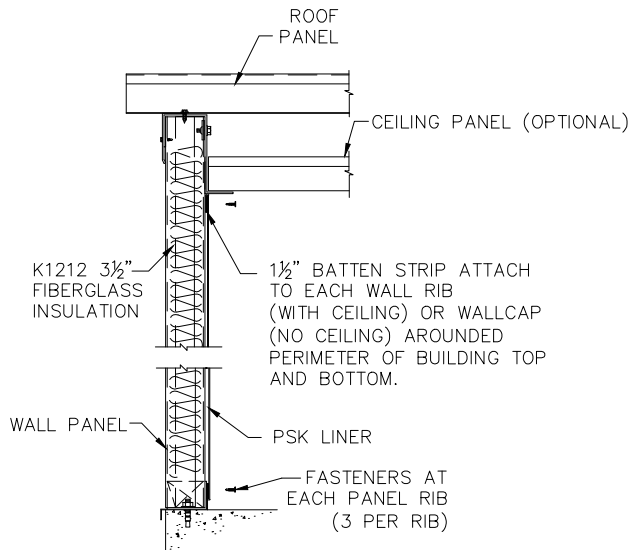
Cavity Insulation	R 13
-------------------	------

Calculated system "U" value 0.19 (ASHRAE zone method)

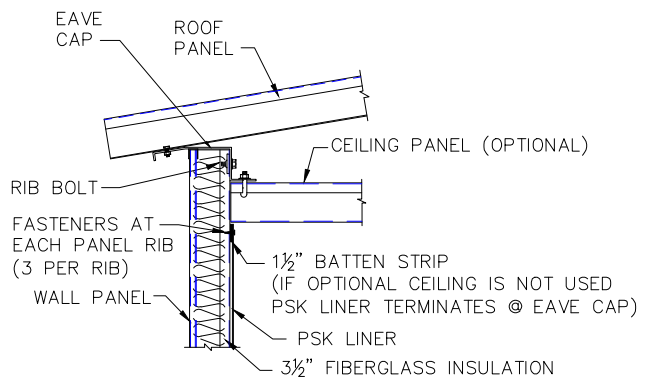
### TYPE 'S' BUILDING SHOWN

TYPE 'AL' SAME, EXCEPT ATTACH TOP BATTEN STRIP TO EACH WALL RIB UNDER EAVE CAP AND END WALL GIRT W/ SELF DRILLING FASTENER

NOTE:  
WRAP PSK WALL LINER OVER BATTEN STRIP.  
(TYPICAL, TOP & BOTTOM)  
FIELD CUT TO LENGTH REQUIRED.



**TYPICAL CROSS SECTION  
TYPE 'S' BUILDING**



**TYPICAL CROSS SECTION  
TYPE 'AL' BUILDING**

NOTE:  
BASE DETAIL SAME FOR ALL BUILDINGS.



**A-RIN-2**