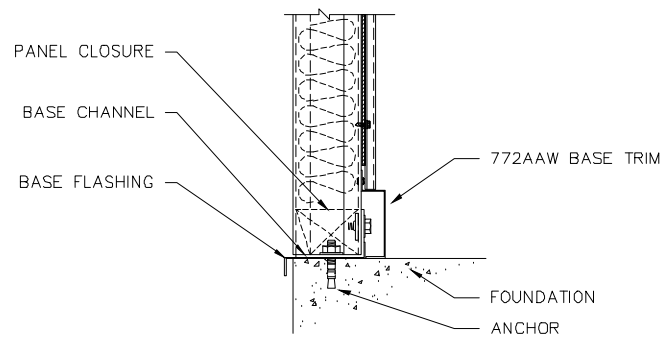
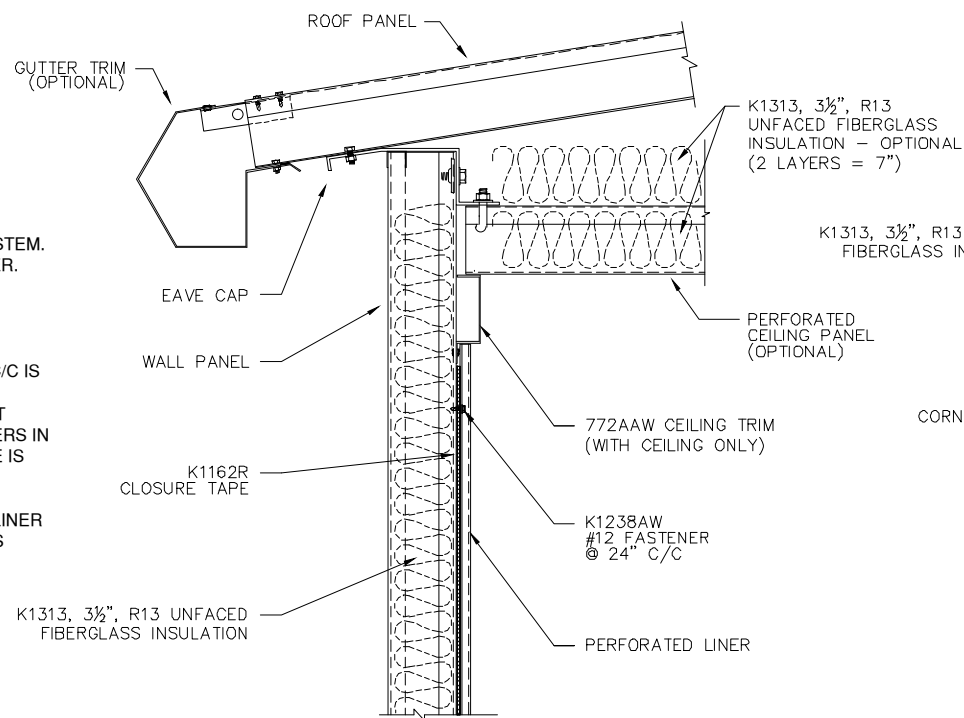


NOTES:

1. BUILDINGS WITH OTIONAL CEILING SYSTEM. INSTALL CEILING PRIOR TO WALL LINER. SEE DRAWING **CEIL-AL-1** (STANDARD HEIGHT) OR DRAWING **CEIL-AL-2** (DROPPED HEIGHT)
2. K1238AW FASTENER SPACING OF 24" C/C IS APPROXIMATE. LOCATIONS CAN BE "EYE-BALLED"; HOWEVER, FOR A NEAT APPEARANCE, KEEPING THE FASTENERS IN A FAIRLY STRAIGHT HORIZONTAL LINE IS BEST.
3. ALSO REFER TO STANDARD FORMED LINER INSTALLATION DETAILS ON DRAWINGS **FORMED-1** AND **FORMED-2**.

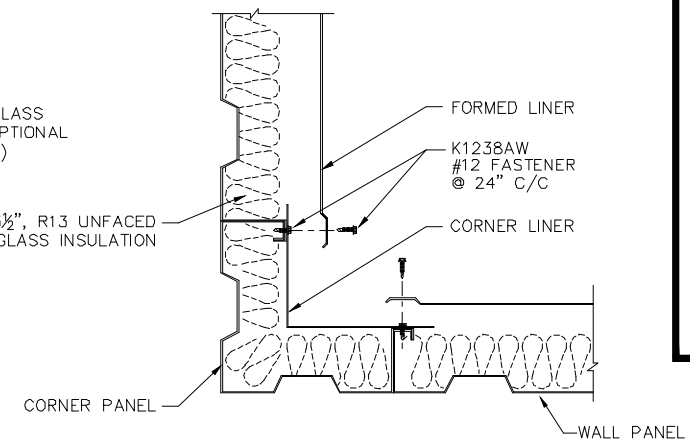
INSTALLATION:

1. INSTALL PERFORATED CEILING IF USED PRIOR TO STARTING WALL LINER. SEE DRAWING **CEIL-AL-1** (STANDARD HEIGHT) SEE DRAWING **CEIL-AL-2** (DROPPED HEIGHT)
2. INSTALL K1313, R13 UNFACED WALL INSULATION IN ALL WALL CAVITIES.
3. INSTALL BASE AND CEILING TRIM. (CEILING TRIM ONLY WITH CEILING) FASTEN USING K1238AW #12 FASTENERS AT 4'-0" C/C.
4. INSTALL K1162R CLOSURE TAPE TO PANEL RIBS.
5. INSTALL CORNER LINER AS SHOWN.
6. FASTEN PERFORATED LINER TO PANEL RIBS USING K1238AW #12 FASTENERS ON 24" CENTERS. BEGIN INSTALLING LINER IN CORNERS. FIELD CUTTING LINER AT ALL OPENNGS.
7. INSTALL LINER TRIM AROUND WALL OPENINGS AS SHOWN USING K1238AW #12 FASTENERS.

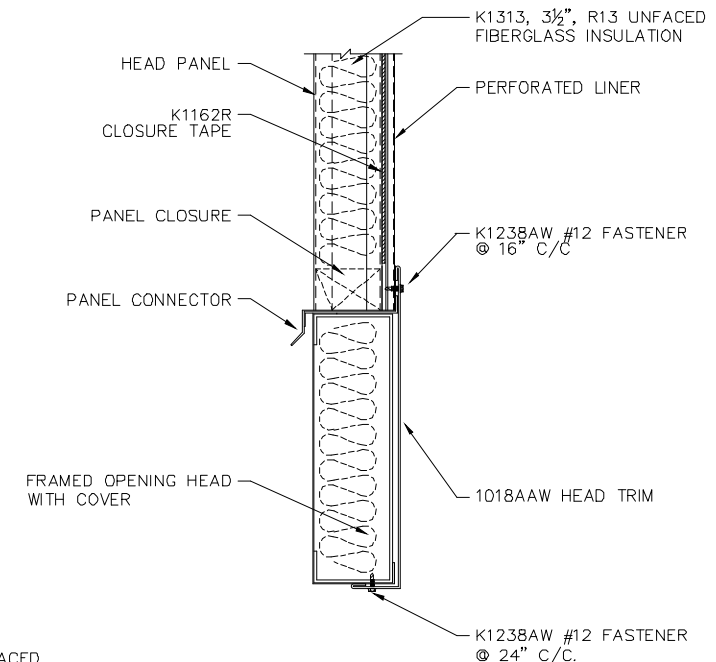


TYPICAL CROSS SECTION

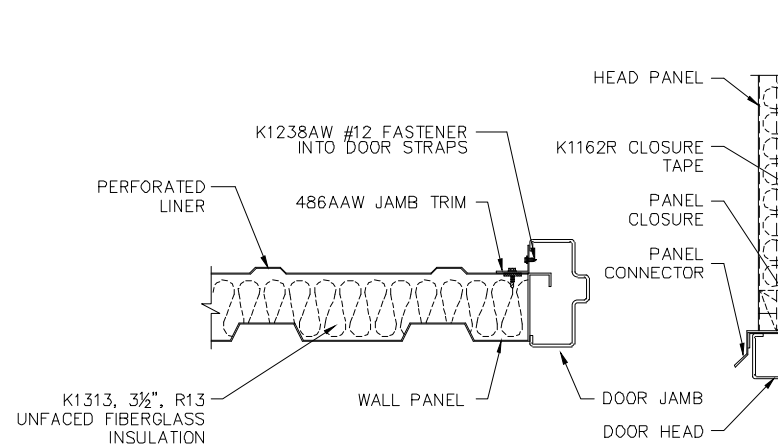
(SIDEWALL SHOWN)
SHOWN WITH OPTIONAL CEILING SYSTEM



CORNER DETAIL

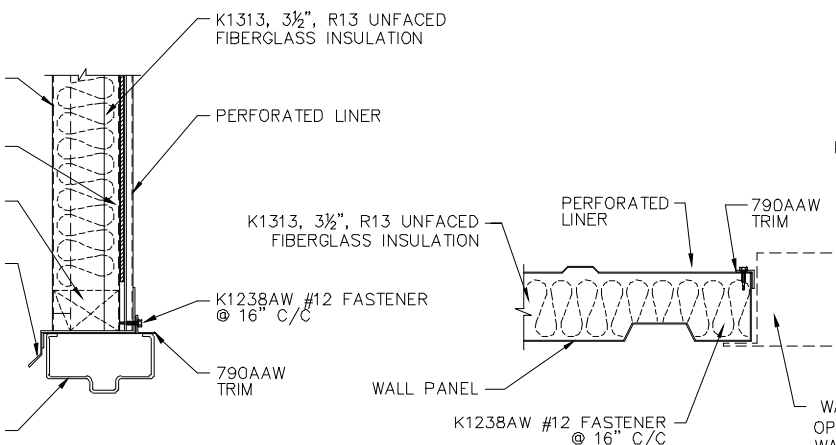


FRAMED OPENING HEAD DETAIL



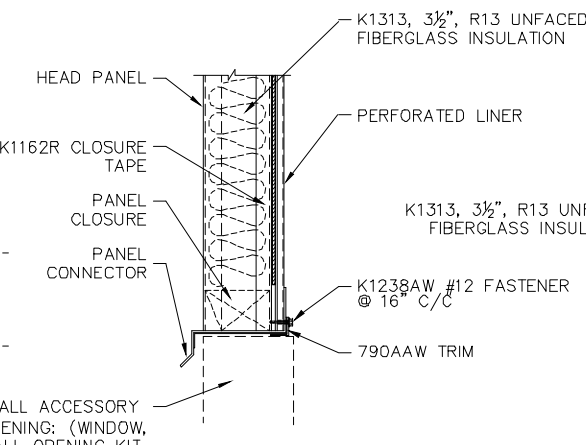
JAMB DETAIL

DOOR SECTION

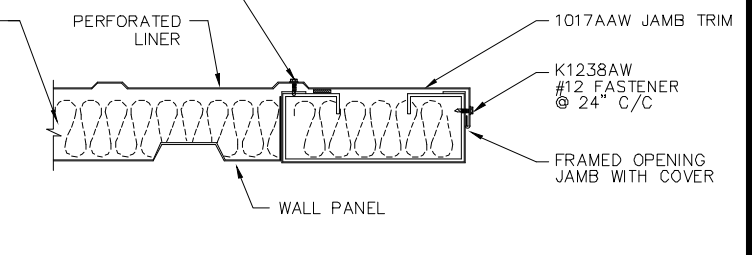


JAMB DETAIL

WALL OPENING SECTION

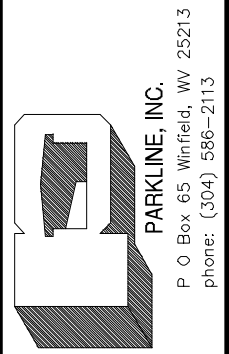


HEAD DETAIL



FRAMED OPENING JAMB DETAIL

REVISIONS	BY
8-11-97	CBP
12-9-98	DLR
04-03-03	CBP
1-17-05	WBD
01-25-05	DLR
07-19-05	DLR
10-20-06	CBP
06-18-09	CS



A29 ACOUSTICAL WALL SYSTEM FOR TYPE 'A' BUILDINGS

SHEET TITLE

SECTIONS AND DETAILS

DATE	5-6-97
DRAWN BY	JEH
SCALE	NTS
ORDER NO.	
REVISION	8
DWG. NO.	A29-AL