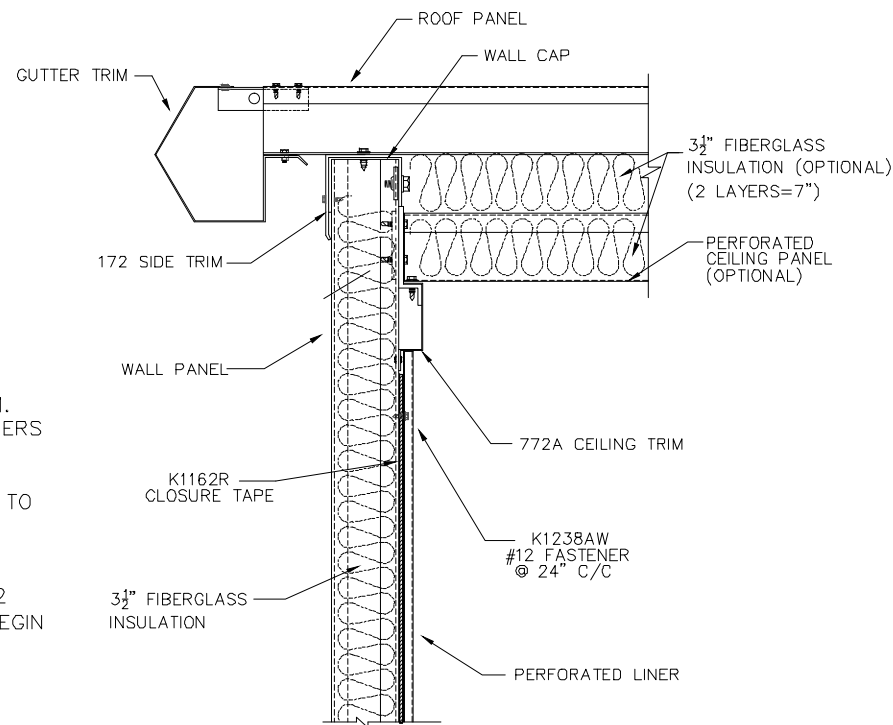


INSTALLATION:

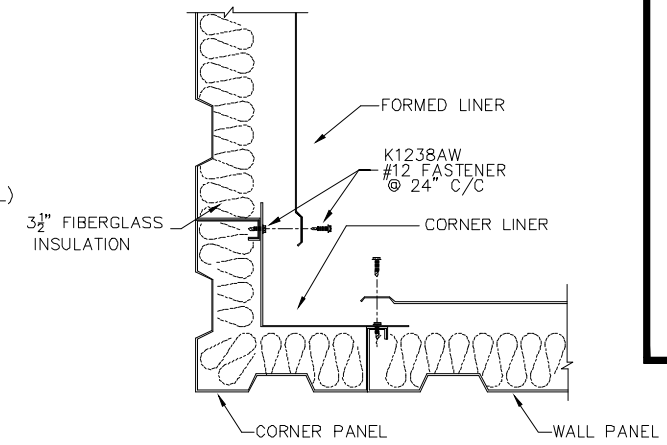
1. INSTALL PERFORATED CEILING IF USED PRIOR TO STARTING WALL LINER. (SEE DRAWING CEIL-S)
2. INSTALL FIBERGLASS WALL INSULATION.
3. INSTALL BASE AND CEILING TRIM. FASTEN USING K1238AW FASTENERS AT 4'-0" C/C.
4. INSTALL K1162R CLOSURE TAPE TO PANEL RIB.
5. FASTEN PERFORATED LINER TO PANEL RIBS USING K1238AW #12 FASTENERS ON 24" CENTERS. BEGIN INSTALLING LINER IN CORNERS, FIELD CUTTING LINER AT ALL OPENINGS.
6. INSTALL LINER USING K1238AW #12 FASTENERS.

NOTE:
ALSO REFER TO STANDARD FORMED LINER INSTALLATION DETAILS ON DRAWINGS **FORMED-1** AND **FORMED-2**.

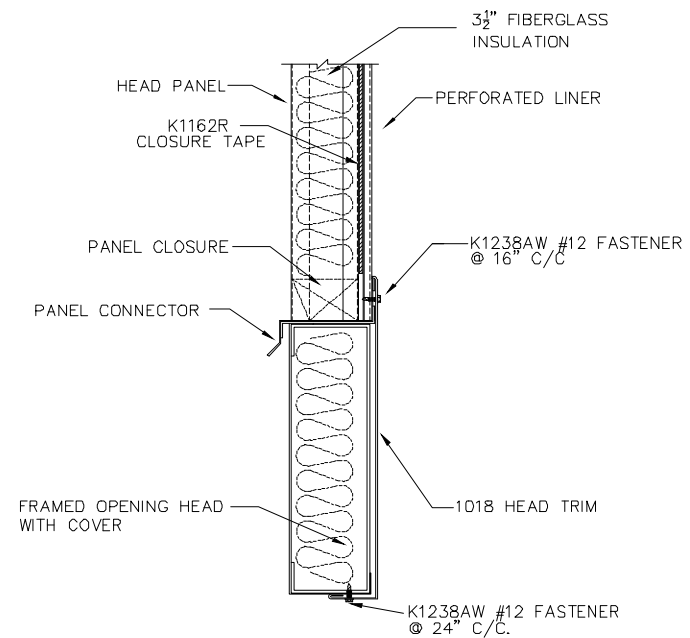


TYPICAL CROSS SECTION

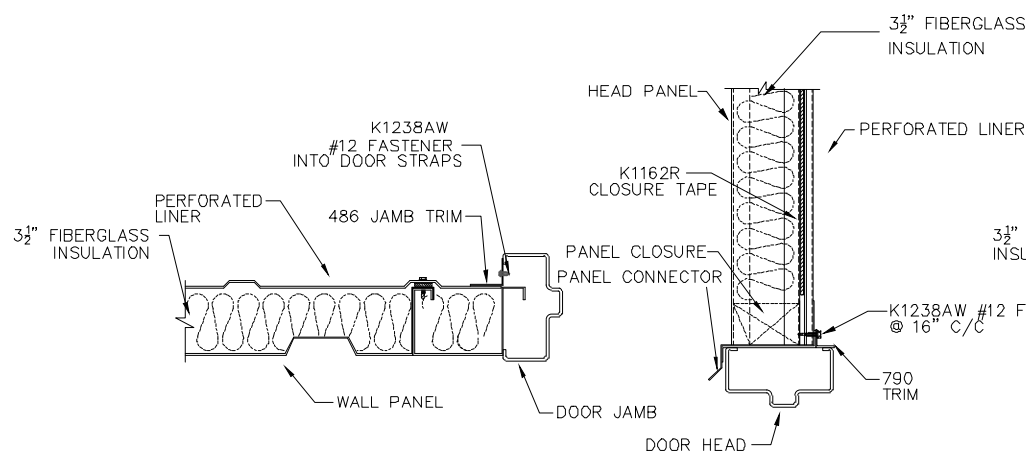
(LOW SIDEWALL SHOWN)
SHOWN WITH OPTIONAL CEILING SYSTEM



CORNER DETAIL



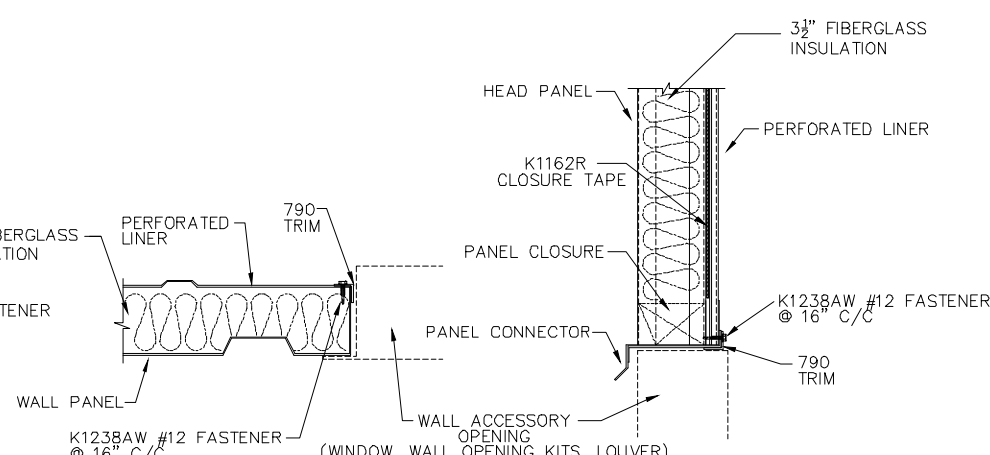
FRAMED OPENING HEAD DETAIL



JAMB DETAIL

HEAD DETAIL

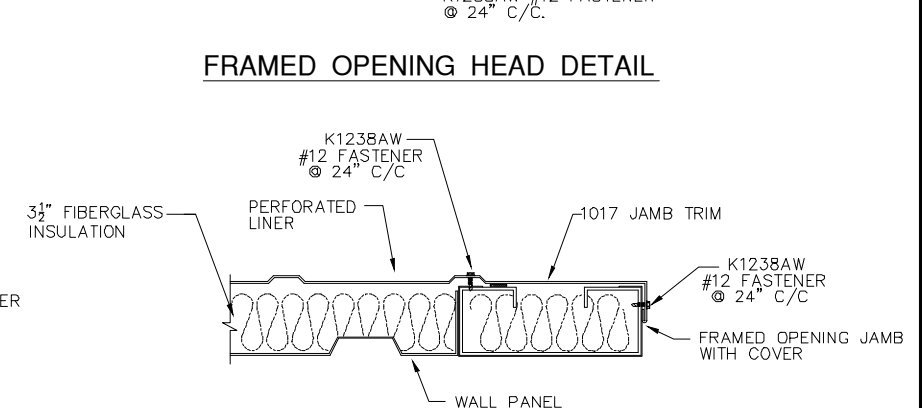
DOOR SECTION



JAMB DETAIL

HEAD DETAIL

WALL OPENING SECTION



FRAMED OPENING JAMB DETAIL

REVISIONS	BY
8-13-97	CBP
12-07-98	DLR
04-03-03	CBP
05-15-03	RAP
1-17-05	WBD
01-25-05	DLR
2-14-08	BAS

PARKLINE, INC.
P O Box 65 Winfield, WV 25213
phone: (304) 586-2113

A29 ACOUSTICAL WALL SYSTEM FOR TYPE 'S' BUILDINGS

JOB DESCRIPTION

SHEET TITLE

DETAILS

DATE 5-6-97

DRAWN BY JEH

SCALE NTS

ORDER NO.

REVISION 7

DWG. NO. **A29-S**