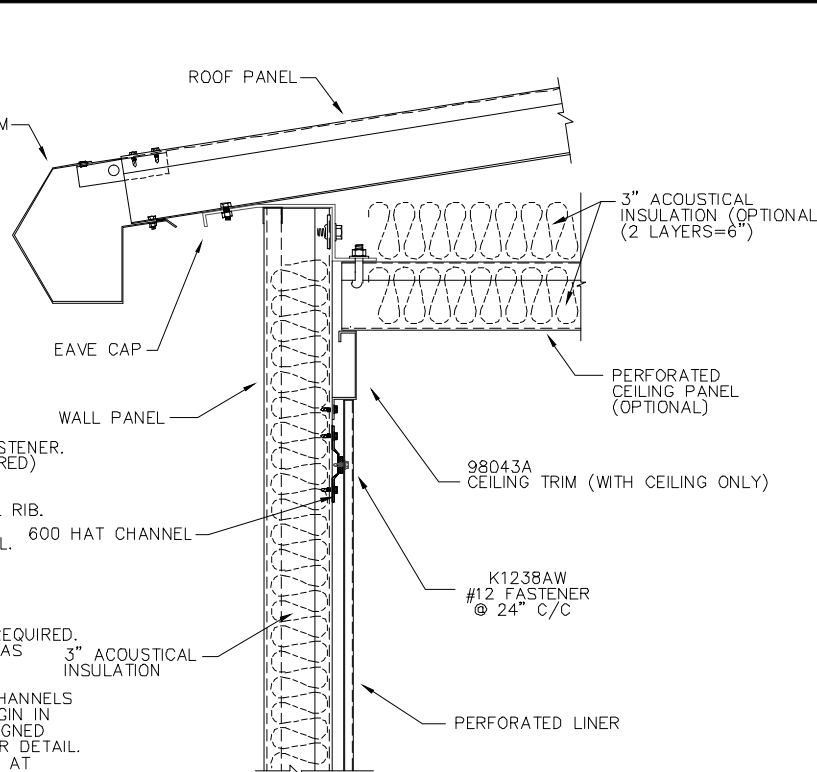
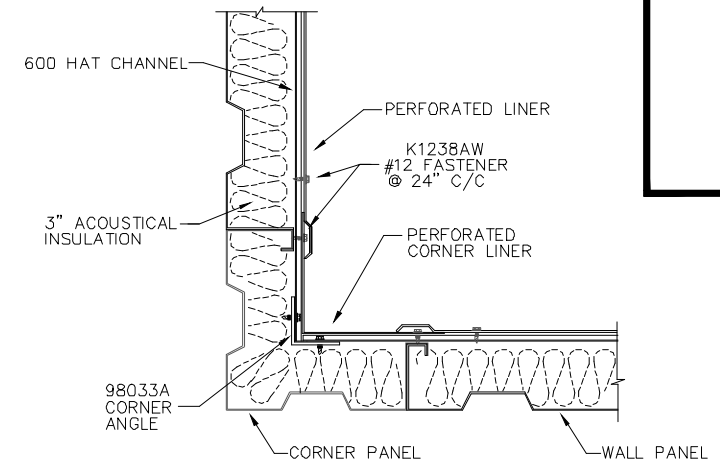


- INSTALLATION :**
1. INSTALL PERFORATED CEILING IF USED PRIOR TO STARTING WALL LINER. SEE DRAWING CEIL-A-1 (STANDARD HEIGHT) SEE DRAWING CEIL-A-2 (DROPPED)
  2. INSTALL ACOUSTICAL WALL INSULATION.
  3. INSTALL HAT CHANNELS ON 24" O.C. FASTEN IN STAGGERED PATTERN USING K1237-5 #12 FASTENER. (FIELD CUT OR SPLICE HAT CHANNELS AS REQUIRED)
  4. INSTALL BASE AND CEILING TRIM. FASTEN USING K1238AW #12 FASTENERS AT EACH PANEL RIB.
  5. INSTALL K1162R CLOSURE TAPE TO HAT CHANNEL.
  6. FASTEN CORNER LINERS TO HAT CHANNELS IN EACH CORNER.
  7. INSTALL FRAMED OPENING JAMB/HEAD TRIM IF REQUIRED. ATTACH AS SHOWN FIELD CUTTING OR SPLICING AS REQUIRED.
  8. BEGIN INSTALLING PERFORATED LINER TO HAT CHANNELS USING K1238AW #12 FASTENERS @ 24" C/C. BEGIN IN CORNERS MAKING SURE TO KEEP LINER RIBS ALIGNED WITH WALL PANEL RIBS. SEE WARNING IN CORNER DETAIL. FIELD CUT LINER AS REQUIRED IN CORNERS AND AT OPENINGS.
  9. INSTALL ALL LINER TRIM AROUND WALL OPENINGS AND DOOR JAMBS USING K1238AW #12 FASTENERS.

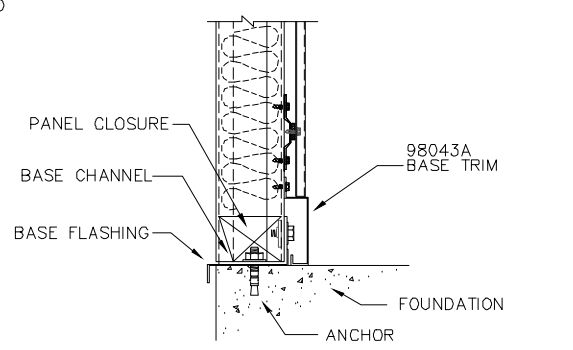
**NOTE:**  
ALSO REFER TO STANDARD FORMED LINER INSTALLATION DETAILS ON DRAWINGS FORM-1 AND FORM -2



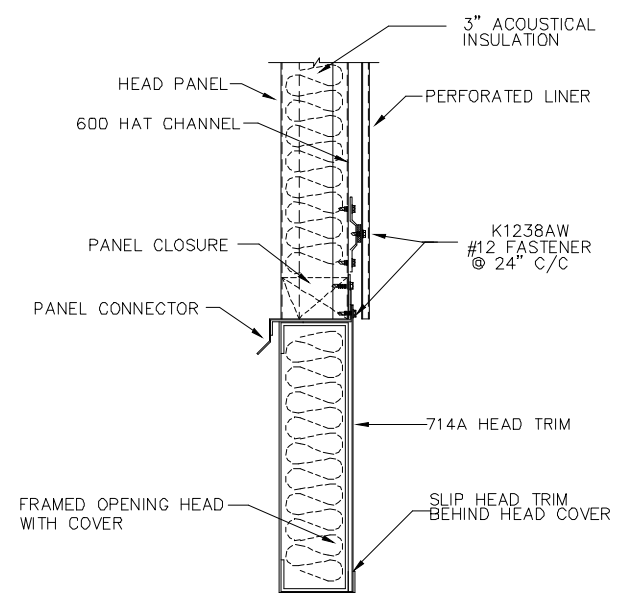
**WARNING!!**  
DO NOT ATTACH WALL LINER THROUGH RAISED RIBS! ATTACH TO SIDE OF RAISED RIBS ONLY!



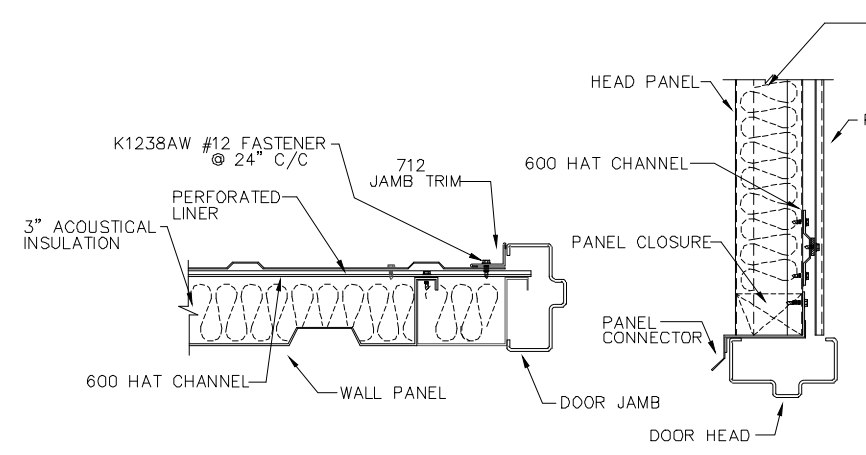
**CORNER DETAIL**



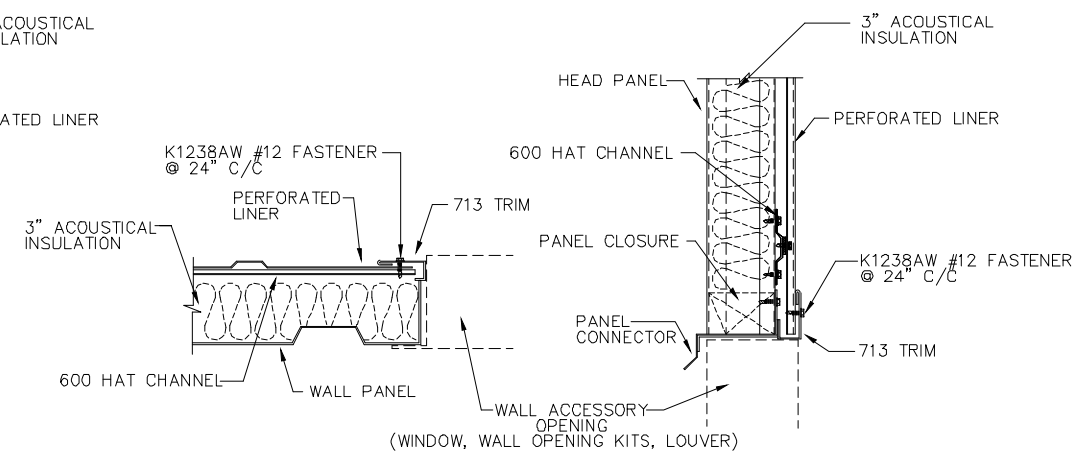
**TYPICAL CROSS SECTION**  
(SIDEWALL SHOWN)  
SHOWN WITH OPTIONAL CEILING SYSTEM



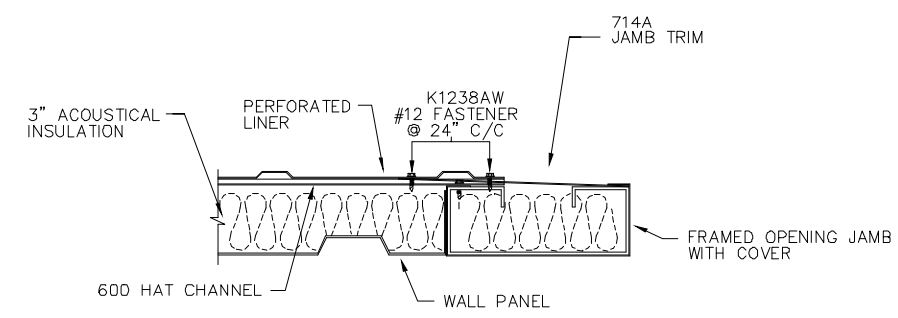
**FRAMED OPENING HEAD DETAIL**



**JAMB DETAIL**      **HEAD DETAIL**  
**DOOR SECTION**



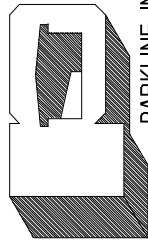
**JAMB DETAIL**      **HEAD DETAIL**  
**WALL OPENING SECTION**



**FRAMED OPENING JAMB DETAIL**

**NOTE: THIS IS A NON-TESTED SYSTEM**

| REVISIONS | BY  |
|-----------|-----|
| 1-17-05   | WBD |
| 01-25-05  | DLR |



**PARKLINE, INC.**  
P O Box 65 Winfield, WV 25213  
phone: (304) 586-2113

|  |                               |
|--|-------------------------------|
| JOB DESCRIPTION<br><b>A30 ACOUSTICAL WALL SYSTEM WITH HAT CHANNELS FOR TYPE 'AL' BUILDINGS</b> | SHEET TITLE<br><b>DETAILS</b> |
|  | DATE 05-27-03                 |
|  | DRAWN BY RAP                  |
|  | SCALE NTS                     |
|  | ORDER NO.                     |
| REVISION <b>2</b>  |                               |
| DWG. NO.   | <b>A30-AL-NT</b>              |