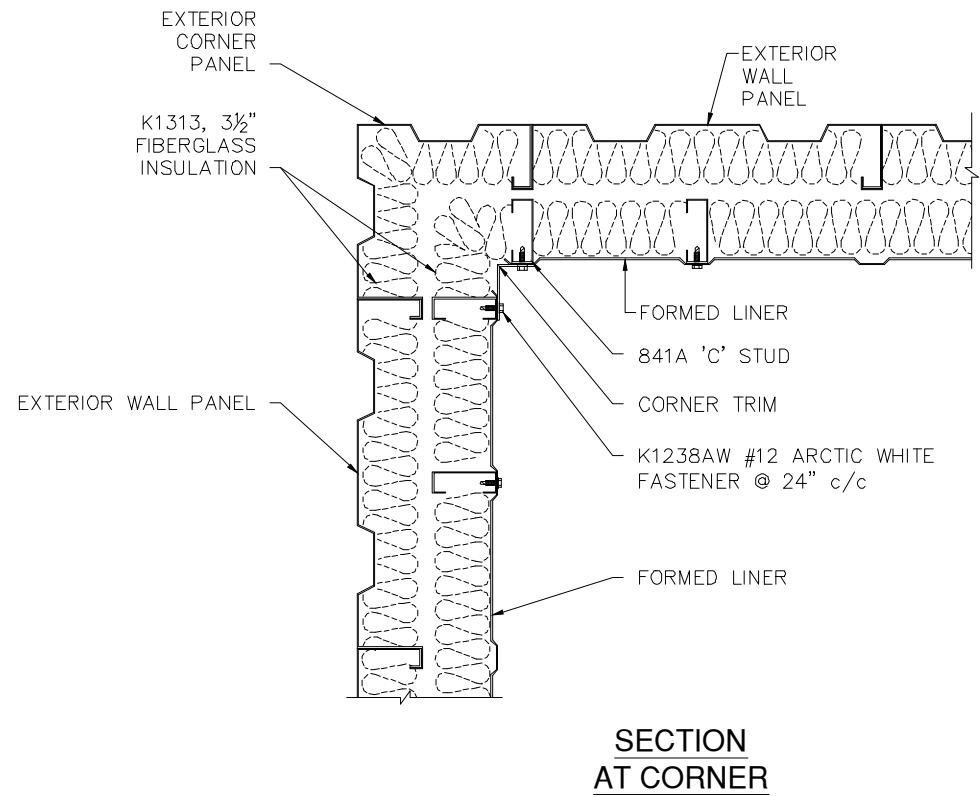
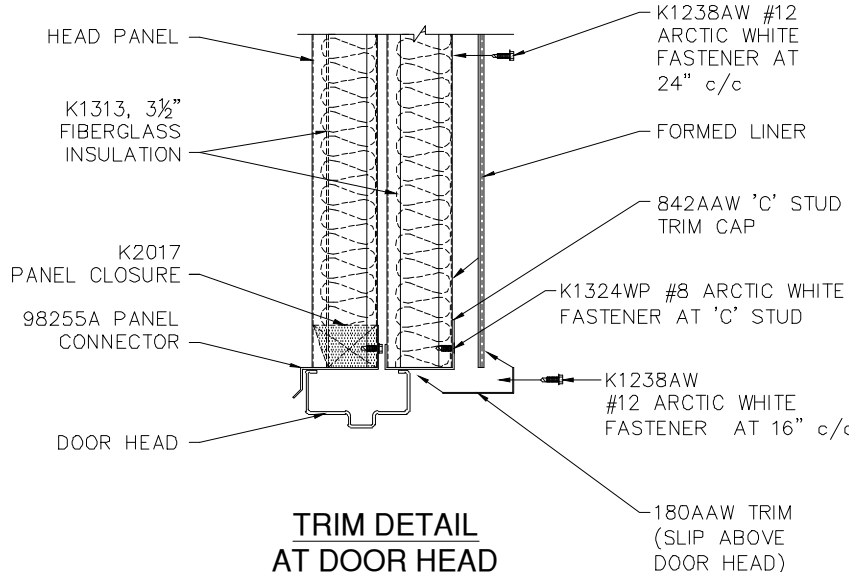


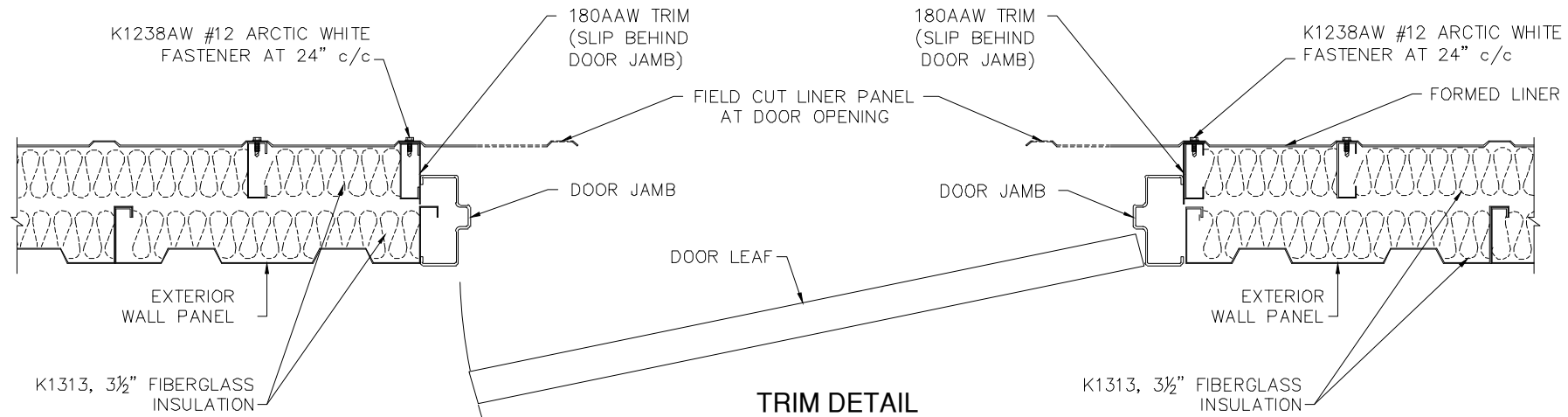
NOTE:
 USE STANDARD FORMED LINER DRAWINGS:
 #FORMED-1
 #FORMED-2
 FOR REFERENCE. WHERE THESE TWO DRAWINGS DIFFER WITH THIS DRAWING, THIS DRAWING WILL APPLY.



SECTION AT CORNER



TRIM DETAIL AT DOOR HEAD



TRIM DETAIL AT DOOR JAMBS

(3070 DOOR SHOWN, ALL OTHER DOORS SIMILAR)

REVISIONS	BY
06-01-09	CS

PARKLINE, INC.
 P O Box 65 Winfield, WV 25213
 phone: (304) 586-2113

JOB DESCRIPTION
STANDARD INSTALLATION DETAILS FOR 'C' STUD WALL SYSTEM
 SHEET TITLE
SECTIONS & DOOR TRIM DETAILS

DATE	07-21-05
DRAWN BY	RAP
SCALE	N.T.S
ORDER NO.	
REVISION	1
DWG. NO.	C-STUDWALL-2