

INSTALLATION

- NOTES:
1. INSTALL CEILING (IF REQUIRED) PRIOR TO INSTALLATION OF LINER. IF BUILDING USES 876A SUPPORT 772A CEILING TRIM MUST BE INSTALLED BEFORE CEILING PANELS. HOOK TRIM OVER 876A SUPPORT THEN LAY CEILING PANELS ON TOP. SEE CEILING DETAIL DRAWING FOR MORE DETAILS.
 2. IF BUILDING USES METAL PARTITIONS WITH LINER, REFER TO DRAWING FORMED-3.
 3. A 5/32" DRILL BIT IS RECOMMENDED IF HOLES ARE TO BE PRE-DRILLED FOR FASTENERS.
 4. OPTIONAL 18 GAGE FORMED LINER WILL HAVE RIBS AT 16" c/c IN LIEU OF 8" c/c.

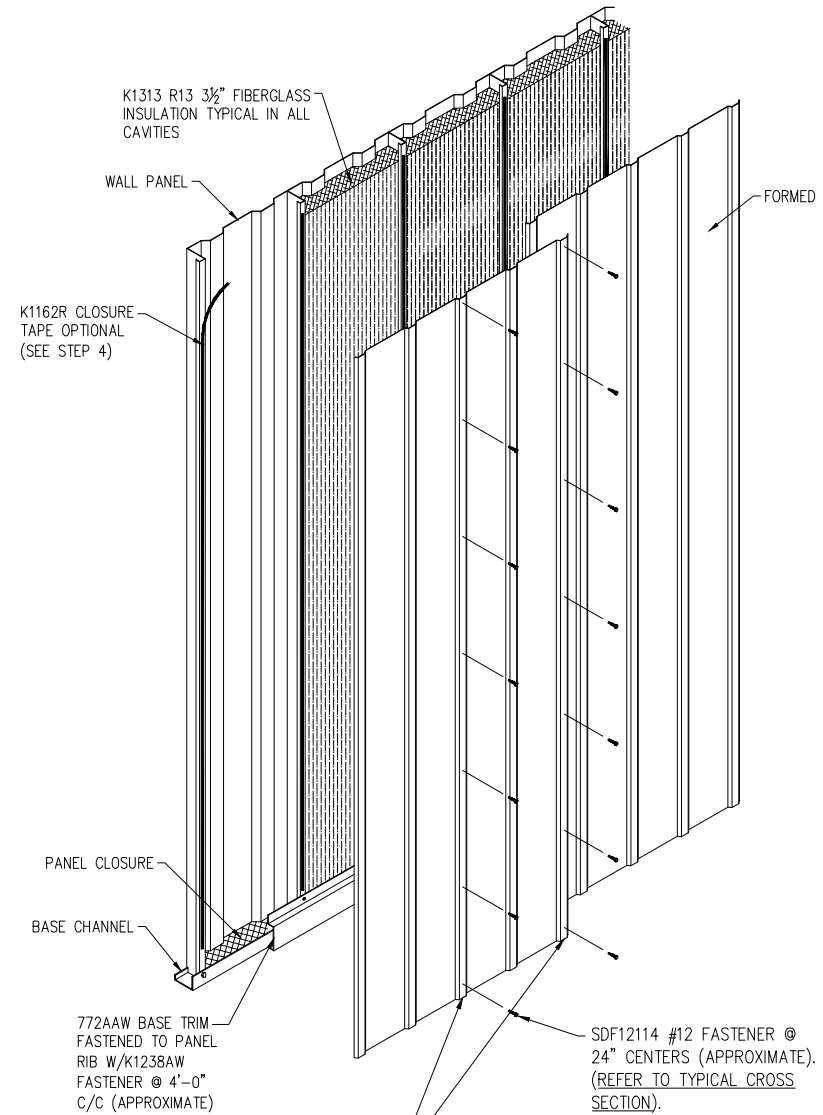
- STEP 1 INSULATE ALL PANELS, SPACER JAMBS, FRAMED OPENING JAMBS AND HEADS WITH K1313 FIBERGLASS INSULATION
- STEP 2 FIELD CUT AND INSTALL 772A BASE TRIM.
- STEP 3 FIELD CUT AND INSTALL CEILING TRIM. (CEILING TRIM IS OPTIONAL ON TYPE 'AL' BUILDINGS WITHOUT CEILING)

- NOTE:
- A. ON TYPE 'S' BUILDINGS WITHOUT CEILING INSTALL 180 TOP TRIM AT END WALLS AND HIGH SIDE WALL
 - B. ON TYPE 'AL' BUILDINGS W/DROPPED CEILINGS USE 876A SUPPORT AT SIDE WALLS.
 - C. ALL C/C SPACINGS FOR FASTENERS ARE APPROXIMATE.

- STEP 4 INSTALL K1162R INSULATION TAPE (IF REQUIRED) ON PANEL RIBS. (OPTIONAL ON ALL BUILDINGS SEE PAGE 5 OF BILL OF MATERIALS TO SEE IF K1162R IS INCLUDED)

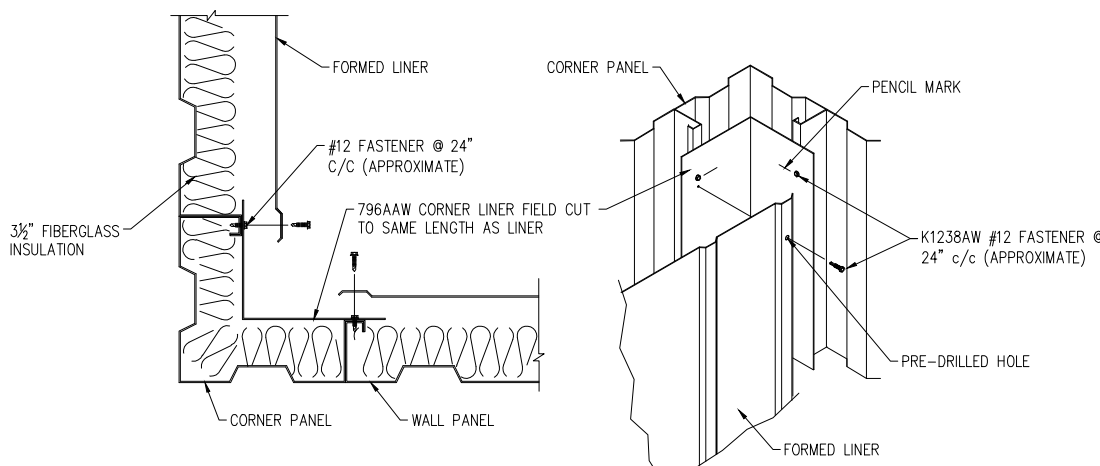
- STEP 5 FIELD CUT CORNER LINER TO LINER LENGTH. INSTALL CORNER LINER FIRST. ATTACH WITH K1238AW FASTENERS @ 2'-0" C/C (APPROXIMATE). MARK FASTENER LOCATIONS TO BE VISIBLE AFTER LINER PANEL IS PLACED IN CORNER. WHEN LINER PANEL IS READY TO BE ATTACHED, USE K1238AW FASTENERS @ 2'-0" C/C (APPROXIMATE). MAKING SURE LINER PANEL FASTENER IS DIRECTLY ABOVE OR BELOW CORNER LINER FASTENER CARE MUST BE TAKEN TO AVOID CRUSHING WALL LINER RIBS. PRE-DRILLING OF HOLES IN WALL LINER RIBS AT CORNERS IS RECOMMENDED.

- STEP 6 INSTALL LINER, STARTING IN ANY CORNER, AND WORKING AROUND THE BUILDING, LAPPING SHEETS. FASTEN TO PANEL RIBS. (FIELD CUT ALL OPENINGS) (CONTINUED ON DRAWING # FORMED-2)

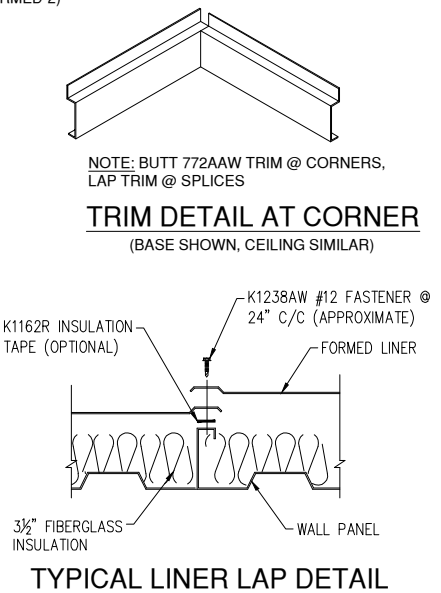


NOTE:
PRE-DRILL RIB AT EDGE OF PANEL AND MIDDLE RIB WITH 5/32" DRILL BIT. (NOT BY PARKLINE, INC.)

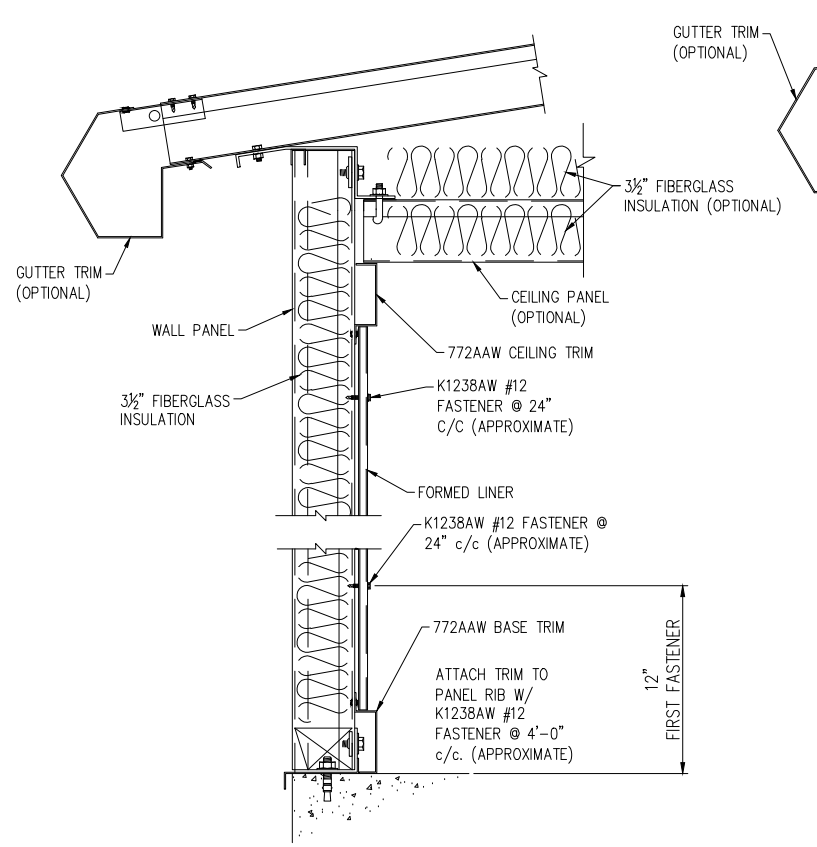
WARNING:
CARE MUST BE TAKEN WHEN INSTALLING THE FASTENERS AT CORNERS TO AVOID CRUSHING OF LINER PANEL RIB.



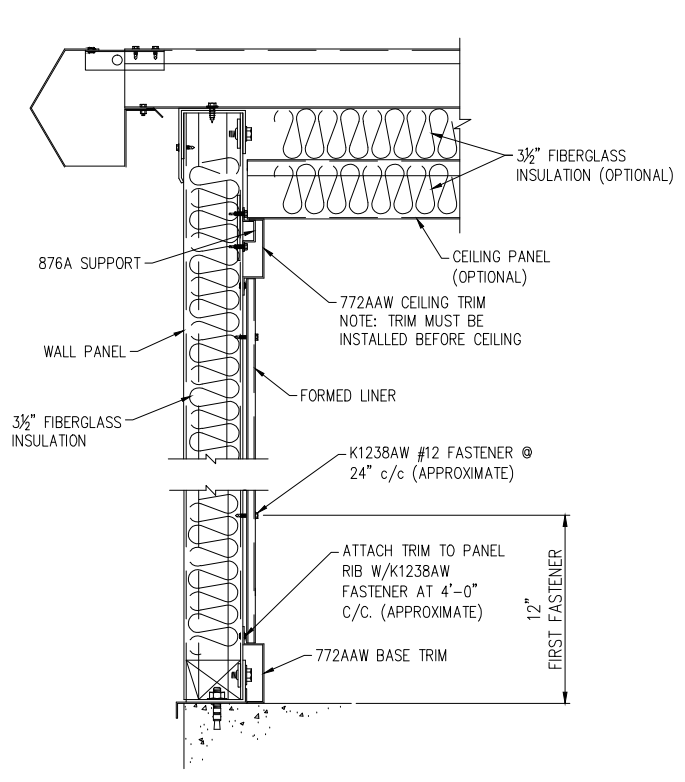
CORNER DETAIL



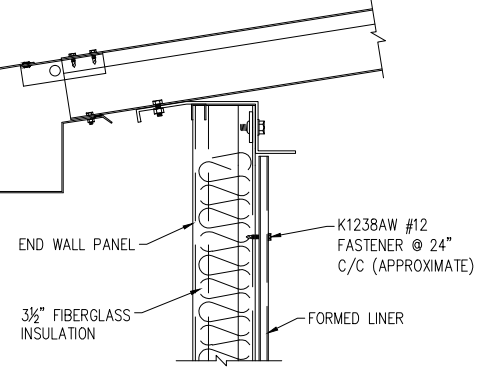
TYPICAL LINER LAP DETAIL



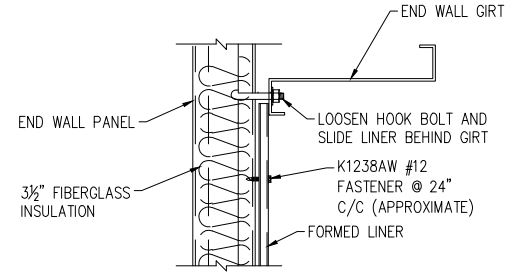
TYPICAL CROSS SECTION
TYPE 'AL' BUILDING
WITH OPTIONAL CEILING SYSTEM.



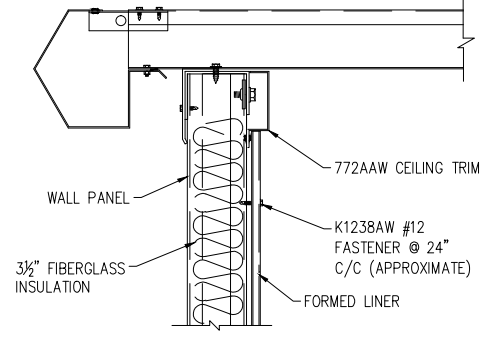
TYPICAL CROSS SECTION
TYPE 'S' BUILDING
WITH OPTIONAL CEILING SYSTEM.



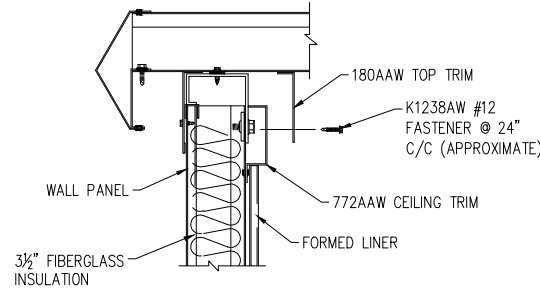
TYPICAL CROSS SECTION
TYPE 'AL' BUILDING
AT SIDE WALL
WITHOUT CEILING SYSTEM
(CEILING TRIM OPTIONAL)



TYPICAL CROSS SECTION
TYPE 'AL' BUILDING
AT END WALL
WITHOUT CEILING SYSTEM
(CEILING TRIM OPTIONAL)



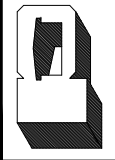
TYPICAL CROSS SECTION
TYPE 'S' BUILDING
AT LOW SIDE WALL
WITHOUT CEILING SYSTEM



TYPICAL CROSS SECTION
TYPE 'S' BUILDING
AT HIGH SIDE WALL AND END WALL
WITHOUT CEILING SYSTEM

REVISIONS	BY
05-29-03	RAP
01-17-05	WBD
07-11-05	DLR
07-28-05	DLR
08-15-05	CBP
05-15-08	KRK
03-05-09	JMC
08-17-11	RAP
08-30-11	RAP
09-02-11	RAP

PARKLINE, INC.
RT. 62, ELEANOR INDUSTRIAL PARK
ELEANOR, WV 25070
PHONE: 800-786-4855
FAX: 304-586-3842
EMAIL: PARKLINE@PARKLINE.COM
ENGINEER: TOM HARDING
THARDING@PARKLINE.COM



JOB DESCRIPTION
**INSTALLATION DETAILS
FOR FORMED WALL LINER**

SHEET TITLE
SECTIONS AND DETAIL

DATE	07-28-98
DRAWN BY	DLR
SCALE	NTS
ORDER NO.	
REVISION	12

FORMED-1