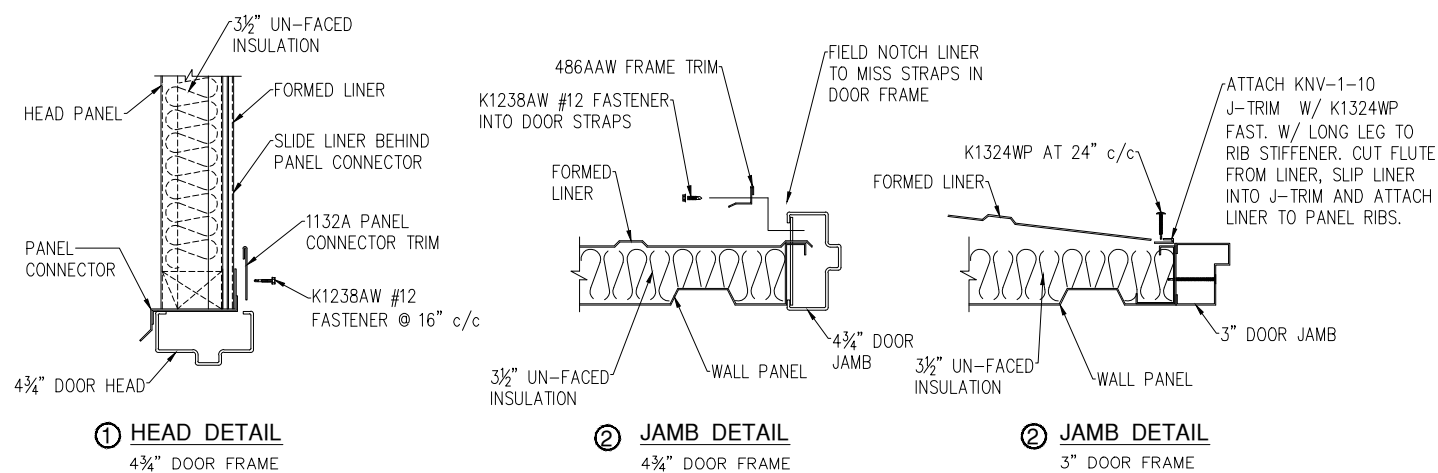


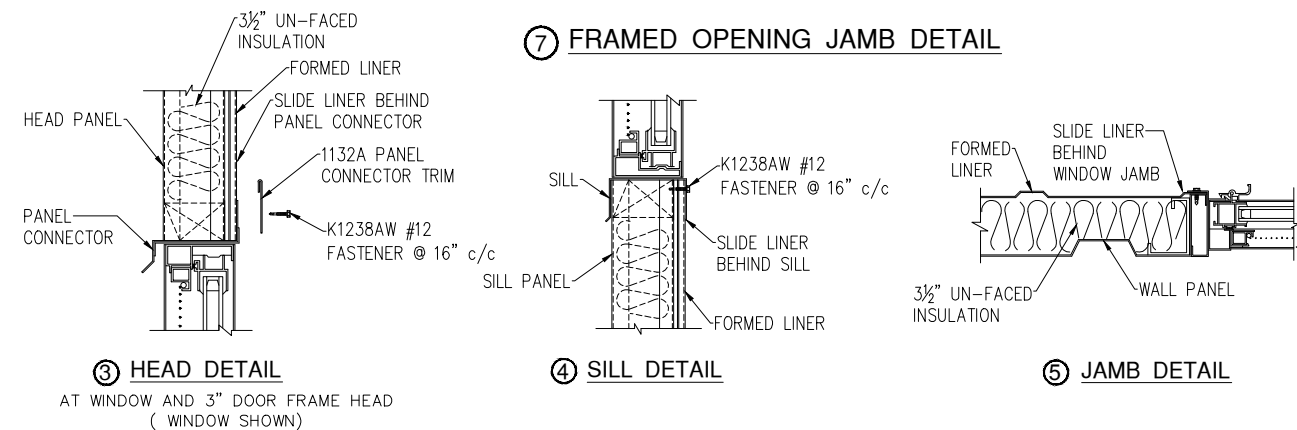
NOTE:
OPTIONAL 18 GAGE FORMED LINER PANEL
WILL HAVE RIBS AT 16" c/c IN LIEU OF 8" c/c.

STEP 7 - INSTALL TRIM AT FRAMED OPENINGS AND DOORS.
NOTE: - TRIM IS PROVIDED IN STOCK LENGTHS. FIELD CUTTING
OR SPLICING MAY BE REQUIRED.

NOTCH J-TRIM ON
BACKSIDE TO MISS
772A FASTENER.

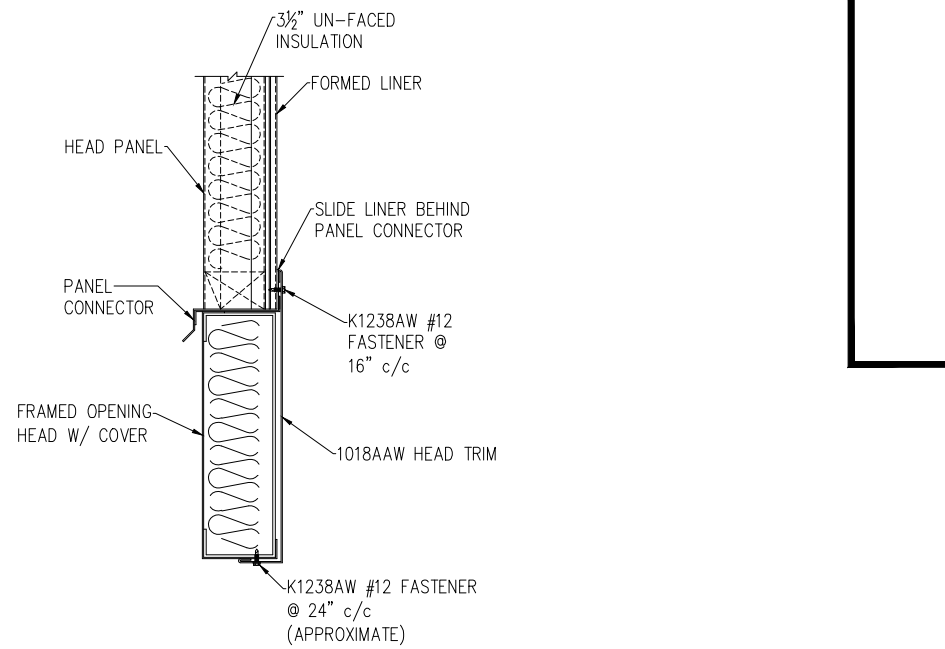


WALK DOOR SECTIONS

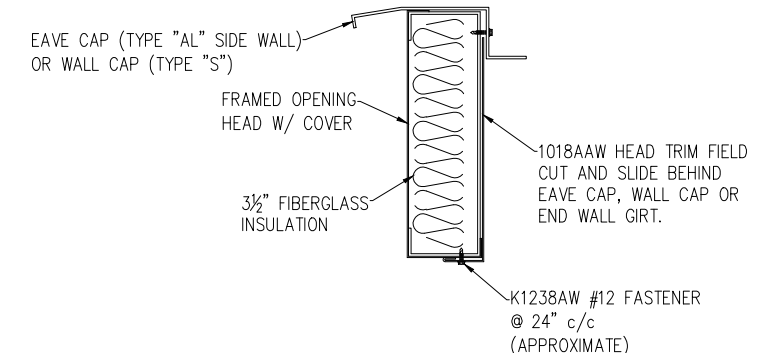


WINDOW SECTIONS

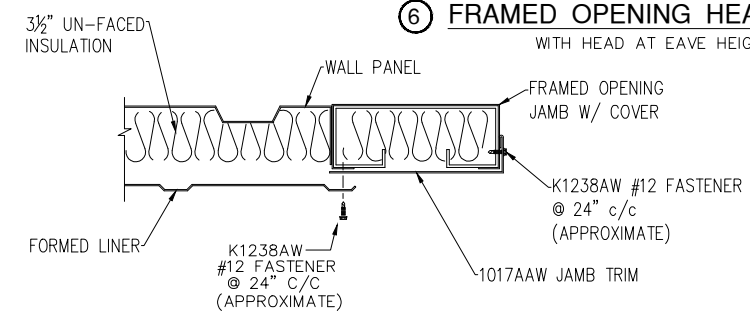
HORIZONTAL SLIDER SHOWN
SIMILAR FOR FIXED WINDOWS, WALL OPENING KITS AND LOUVERS



⑥ FRAMED OPENING HEAD DETAIL
WITH HEAD LESS THAN EAVE HEIGHT



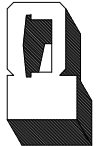
⑥ FRAMED OPENING HEAD DETAIL
WITH HEAD AT EAVE HEIGHT



⑦ FRAMED OPENING JAMB DETAIL

REVISIONS	BY
01/17/05	WBD
07/11/05	DLR
12/15/05	CBP
05/15/08	KRK
03/05/09	JMC
03/23/09	JMC
09/16/09	JMC
06/09/11	RAP
08-17-11	RAP
08-30-11	RAP

PARKLINE, INC.
RT. 62, ELEANOR INDUSTRIAL PARK
ELEANOR, WV 25070
EMAIL: PARKLINE@PARKLINE.COM
PHONE: 800-786-4855
FAX: 304-586-3842
ENGINEER: TOM HARDING
THARDING@PARKLINE.COM



JOB DESCRIPTION
**INSTALLATION DETAILS
FOR FORMED WALL LINER**

DETAIL

DATE	06/09/11
DRAWN BY	RAP
SCALE	NTS
ORDER NO.	
REVISION	13

FORMED-2