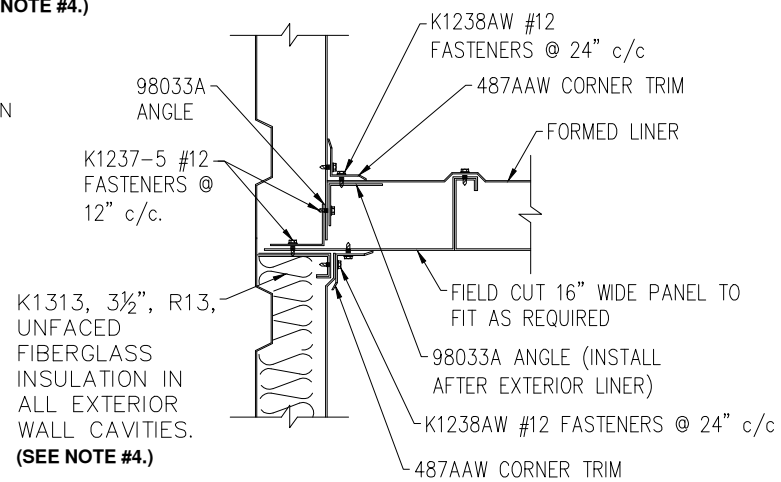
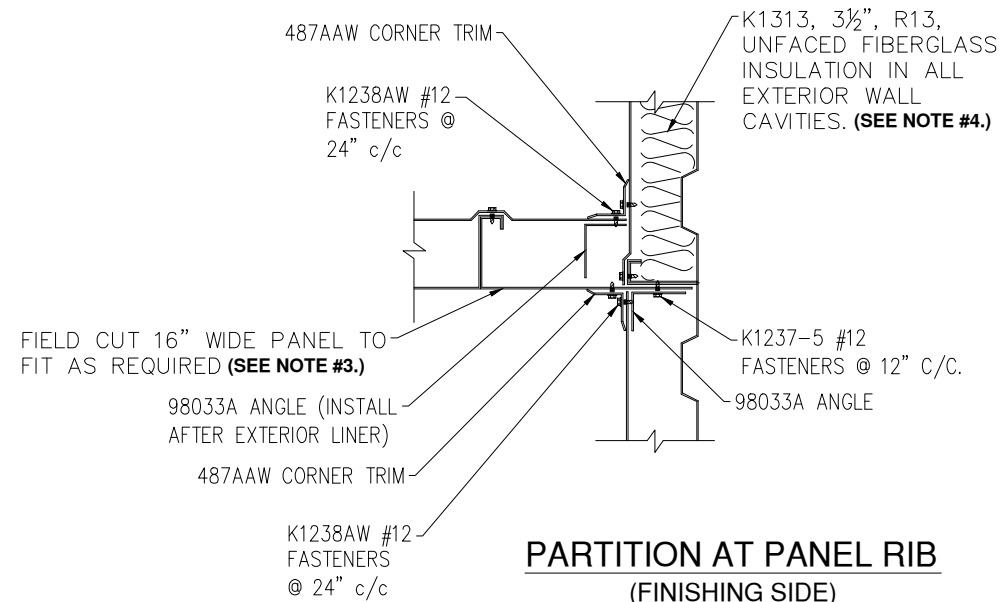


**PARTITION AT CENTER OF WALL PANEL**  
STARTING SIDE SHOWN  
FINISHING SIDE SIMILAR



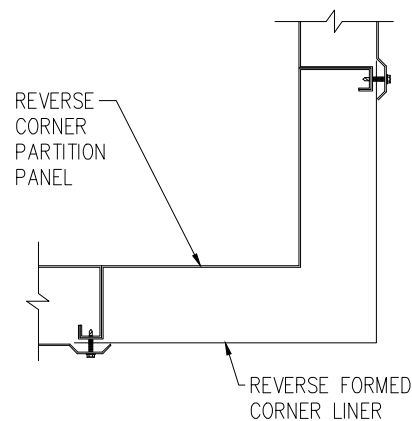
**PARTITION AT PANEL RIB (STARTING SIDE)**



**PARTITION AT PANEL RIB (FINISHING SIDE)**

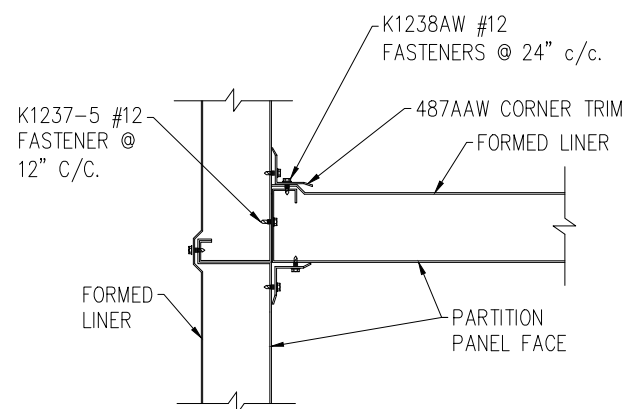
**NOTES:**

1. - INSTALL PARTITION PANELS AND CORNER ANGLES \* PRIOR TO INSTALLING WALL LINER. \*EXCEPT AS NOTED.
2. - PARTITION PANEL CONNECTIONS WORK BEST IF MADE AT A PANEL RIB OR CENTER OF PANEL. ADDITIONAL FIELD WORK WILL ABE REQUIRED IF ANY OTHER LOCATION IS USED.
3. - FIELD CUT 8" WIDE STARTING AND FINISHING PANELS FROM FULL WIDTH 16" WIDE PANELS AS REQUIRED.
4. - INSULATION IS STANDARD IN ALL EXTERIOR WALL CAVITIES. INSULATION IS OPTIONAL IN PARTITION WALLS. REFER TO THE JOB SPECIFIC FLOOR PLAN TO DETERMINE IF INSULATION IS REQUIRED IN PARTITIONS.
5. - OPTIONAL 18 GAGE FORMED LINER PANEL WILL HAVE RIBS AT 16" c/c IN LIEU OF 8" c/c.

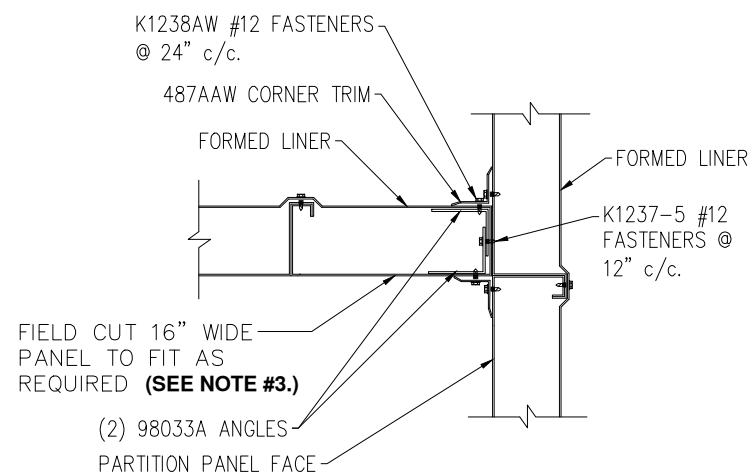


**NOTE:**  
SEE CORNER LINER INSTALLATION DETAILS ON DRAWING FORMED-1

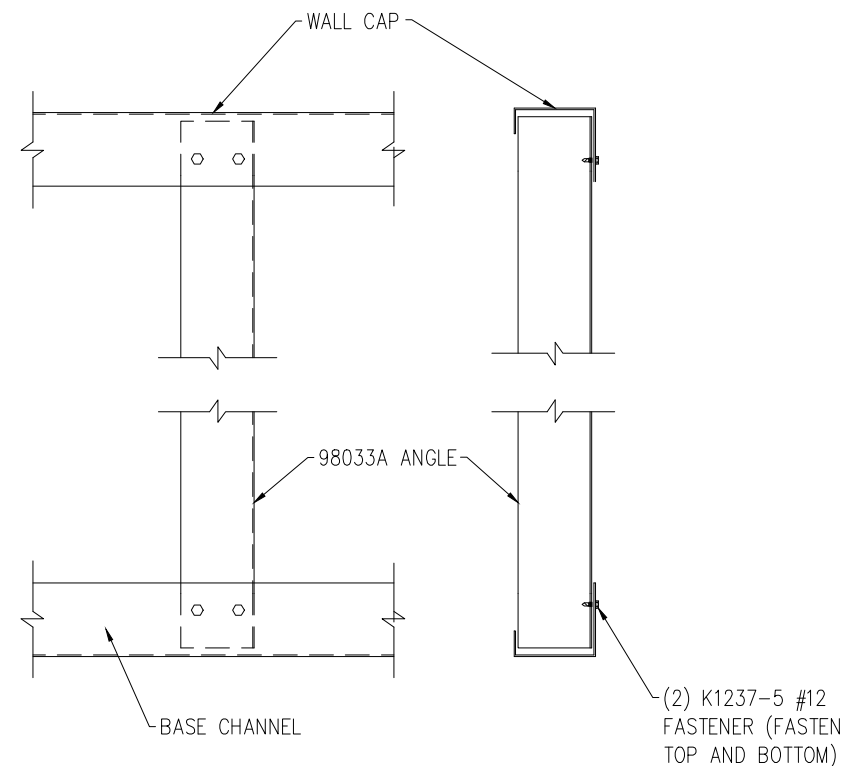
**REVERSE CORNER DETAIL**



**PARTITION AT FACE OF A PARTITION (STARTING SIDE)**



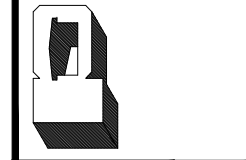
**PARTITION AT FACE OF A PARTITION (FINISHING SIDE)**



**TYPICAL ANGLE CONNECTION AT BASE CHANNEL AND WALL CAP**

REVISIONS	BY
10-08-02	DLR
01-17-05	WBD
05-13-09	CS
06-25-09	CS
08-17-11	RAP

**PARKLINE, INC.**  
RT. 62, ELEANOR INDUSTRIAL PARK  
ELEANOR, WV 25070  
PHONE: 800-786-4855  
FAX: 304-586-3842  
EMAIL: PARKLINE@PARKLINE.COM  
ENGINEER: TOM HARDING  
THARDING@PARKLINE.COM



JOB DESCRIPTION  
**CONNECTION DETAILS FOR FORMED WALL LINER ON PARTITIONS**  
SHEET TITLE  
**SECTIONS AND DETAIL**

DATE	08-18-98
DRAWN BY	DLR
SCALE	NTS
ORDER NO.	
REVISION	5

**FORMED-3**