

INSTALLATION

- NOTES:**
1. INSTALL CEILING (IF REQUIRED) PRIOR TO INSTALLATION OF LINER. IF BUILDING USES 876A SUPPORT 772A CEILING TRIM MUST BE INSTALLED BEFORE CEILING PANELS. HOOK TRIM OVER 876A SUPPORT THEN LAY CEILING PANELS ON TOP. SEE CEILING DETAIL DRAWING FOR MORE DETAILS.
 2. IF BUILDING USES METAL PARTITIONS WITH LINER, REFER TO DRAWING FORMED-3.
 3. A 5/32" DRILL BIT IS RECOMMENDED IF HOLES ARE TO BE PRE-DRILLED FOR FASTENERS.
 4. OPTIONAL 18 GAGE WALL LINER WILL HAVE LINER RIBS AT 16" c/c IN LIEU OF 8" c/c SHOWN.

- STEP 1** INSULATE ALL PANELS, SPACER JAMBS, FRAMED OPENING JAMBS AND HEADS WITH K1313 FIBERGLASS INSULATION
- STEP 2** FIELD CUT AND INSTALL 772A BASE TRIM.
- STEP 3** FIELD CUT AND INSTALL CEILING TRIM. (CEILING TRIM IS OPTIONAL ON TYPE 'AL' BUILDINGS WITHOUT CEILING).

- NOTE:**
- A. ON TYPE 'S' BUILDINGS WITHOUT CEILING INSTALL 180 TOP TRIM AT END WALLS AND HIGH SIDE WALL.
 - B. ON TYPE 'AL' BUILDINGS W/DROPPED CEILINGS USE 876A SUPPORT AT SIDE WALLS.
 - C. ALL C/C SPACINGS FOR FASTENERS ARE APPROXIMATE.

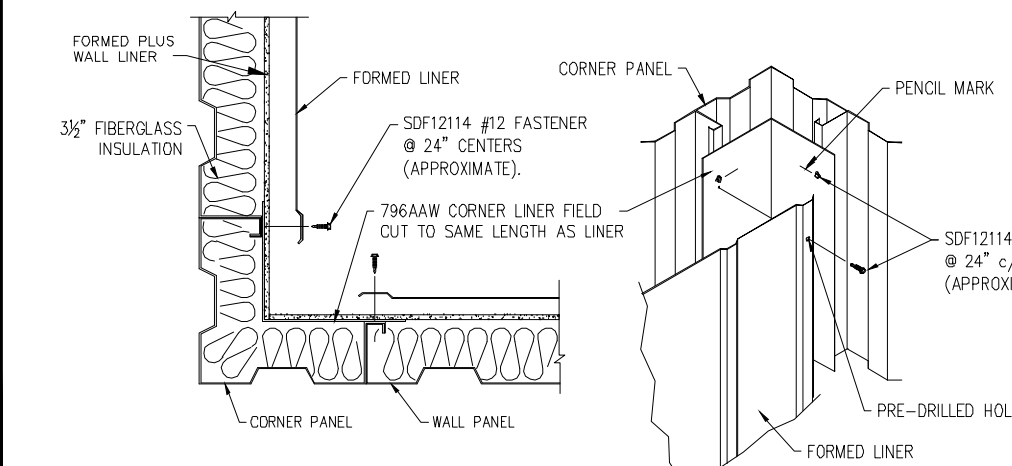
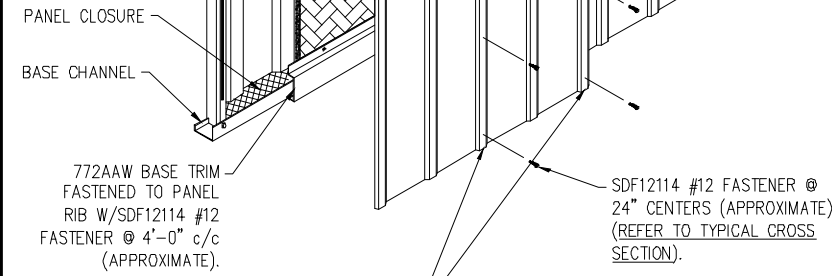
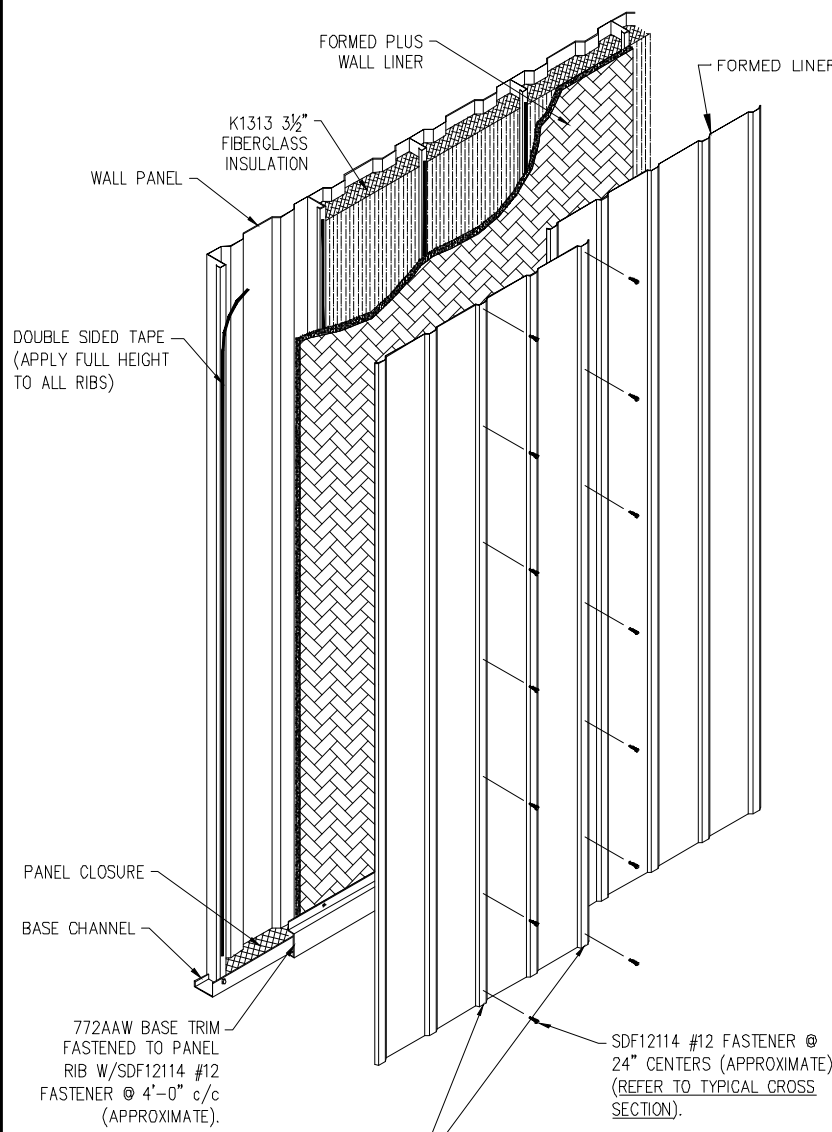
STEP 4 APPLY DOUBLE SIDED TAPE (APPLY FULL HEIGHT TO ALL RIBS)

STEP 5 FIELD CUT CORNER LINER TO LINER LENGTH. INSTALL CORNER LINER FIRST. ATTACH WITH SDF12114 FASTENERS @ 2'-0" c/c. MARK FASTENER LOCATIONS TO BE VISIBLE AFTER LINER PANEL IS PLACED IN CORNER. WHEN LINER PANEL IS READY TO BE ATTACHED, USE SDF12114 FASTENERS @ 2'-0" c/c MAKING SURE LINER PANEL FASTENER IS DIRECTLY ABOVE OR BELOW CORNER LINER FASTENER CARE MUST BE TAKEN TO AVOID CRUSHING WALL LINER RIBS. PRE-DRILLING OF HOLES IN WALL LINER RIBS AT CORNERS IS RECOMMENDED.

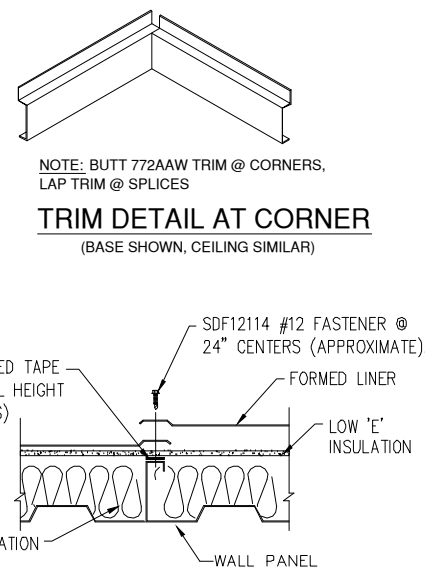
STEP 6 INSTALL LINER, STARTING IN ANY CORNER, AND WORKING AROUND THE BUILDING. LAPPING SHEETS. FASTEN TO PANEL RIBS. (FIELD CUT ALL OPENINGS) (CONTINUED ON DRAWING # FORMPLUS-2)

NOTE:
PRE-DRILL RIB AT EDGE OF PANEL AND MIDDLE RIB WITH 5/32" DRILL BIT. (NOT BY PARKLINE, INC.)

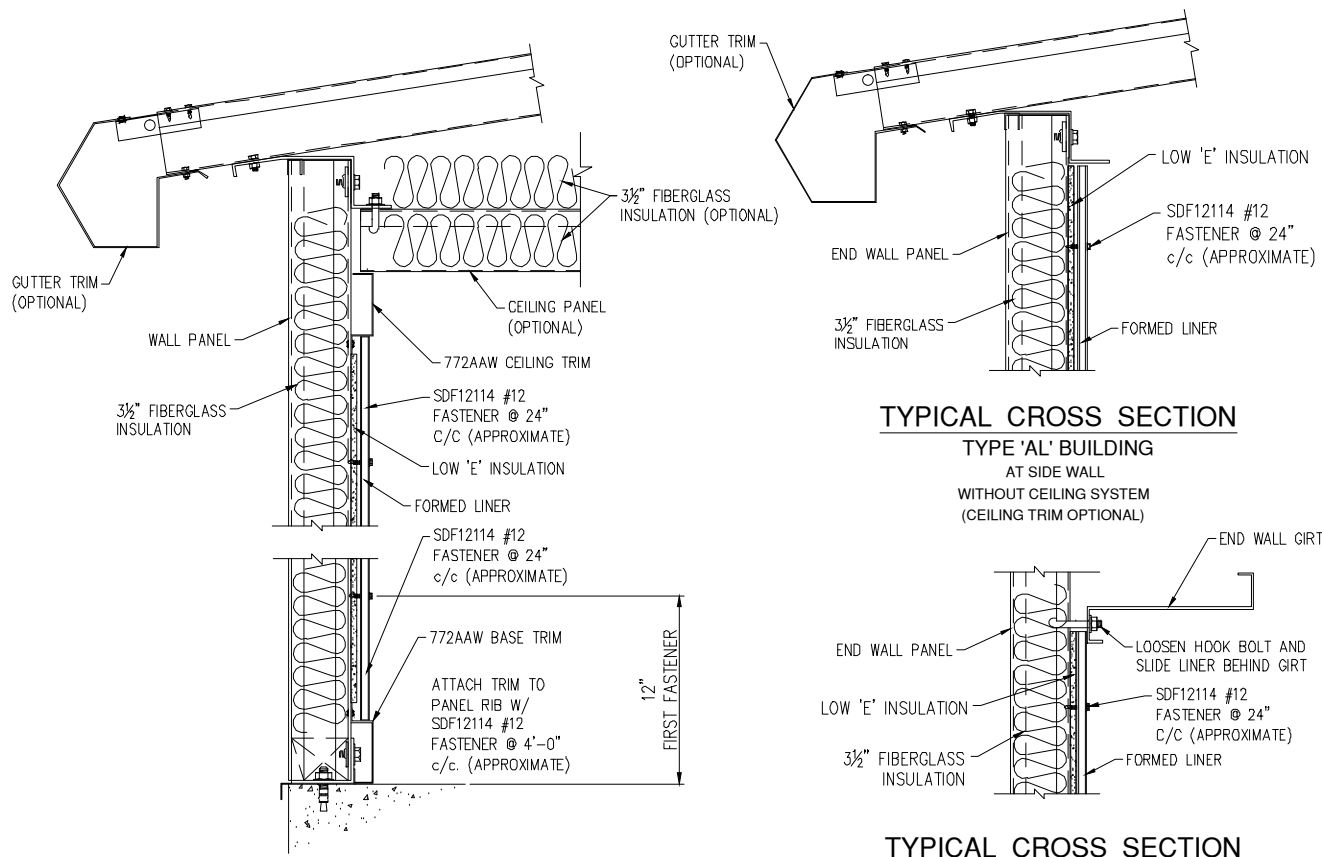
WARNING:
CARE MUST BE TAKEN WHEN INSTALLING THE FASTENERS AT CORNERS TO AVOID CRUSHING OF LINER PANEL RIB.



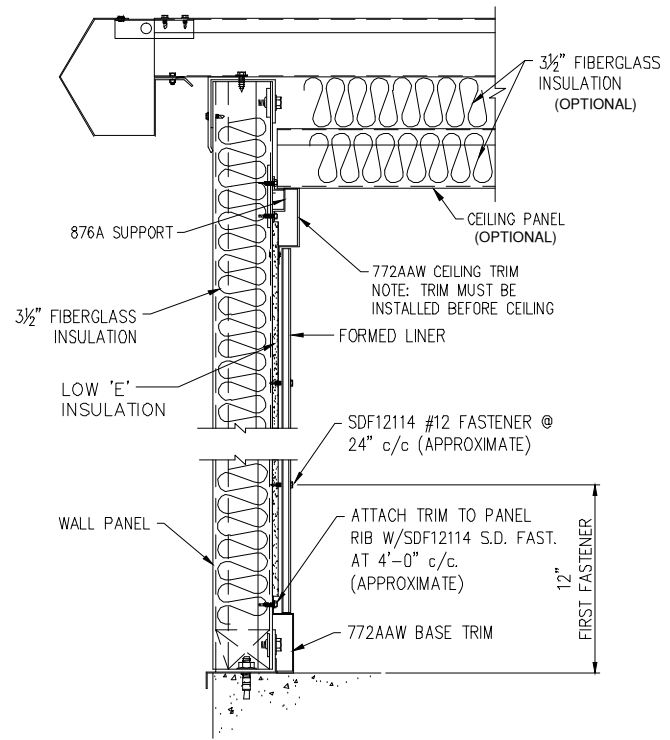
CORNER DETAIL



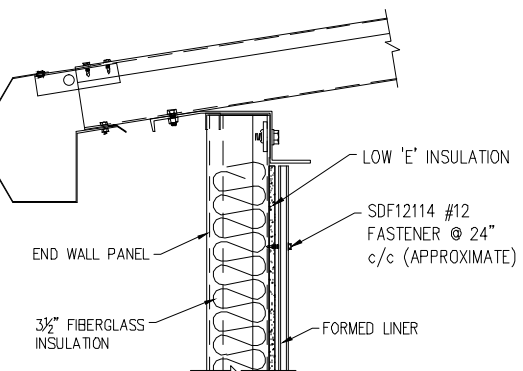
TYPICAL LINER LAP DETAIL



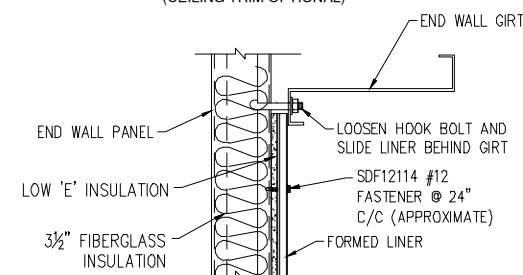
TYPICAL CROSS SECTION TYPE 'AL' BUILDING WITH OPTIONAL CEILING SYSTEM.



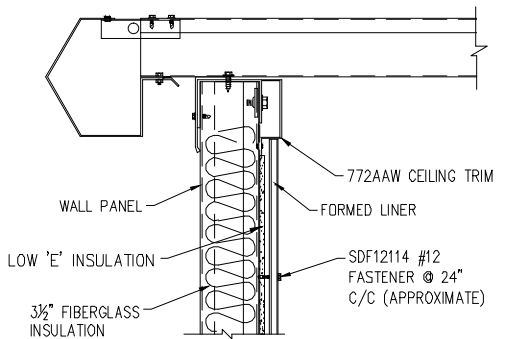
TYPICAL CROSS SECTION TYPE 'S' BUILDING WITH OPTIONAL CEILING SYSTEM.



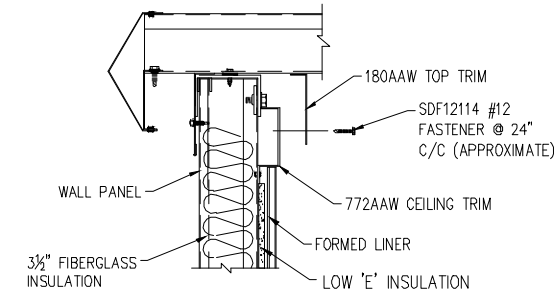
TYPICAL CROSS SECTION TYPE 'AL' BUILDING AT SIDE WALL WITHOUT CEILING SYSTEM (CEILING TRIM OPTIONAL)



TYPICAL CROSS SECTION TYPE 'AL' BUILDING AT END WALL WITHOUT CEILING SYSTEM (CEILING TRIM OPTIONAL)



TYPICAL CROSS SECTION TYPE 'S' BUILDING AT LOW SIDE WALL WITHOUT CEILING SYSTEM



TYPICAL CROSS SECTION TYPE 'S' BUILDING AT HIGH SIDE WALL AND END WALL WITHOUT CEILING SYSTEM

| REVISIONS | BY |
|-----------|-----|
| 08-17-11 | RAP |
| 08-23-11 | RAP |
| 08-30-11 | RAP |
| 09-02-11 | RAP |
| 01-09-12 | JMC |

PARKLINE, INC.
RT. 62, ELEANOR INDUSTRIAL PARK
ELEANOR, WV 25070
EMAIL: PARKLINE@PARKLINE.COM
PHONE: 800-786-4855
ENGINEER: TOM HARDING
THARDING@PARKLINE.COM



INSTALLATION DETAILS FOR FORMED PLUS WALL LINER DETAIL

JOB DESCRIPTION

SHEET TITLE

| | |
|-----------|----------|
| DATE | 12-12-07 |
| DRAWN BY | BAS |
| SCALE | NTS |
| ORDER NO. | |
| REVISION | 5 |

FORMPLUS-1