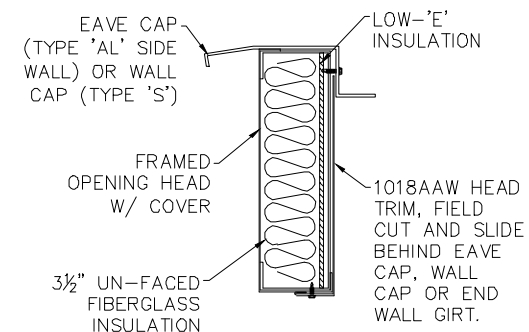
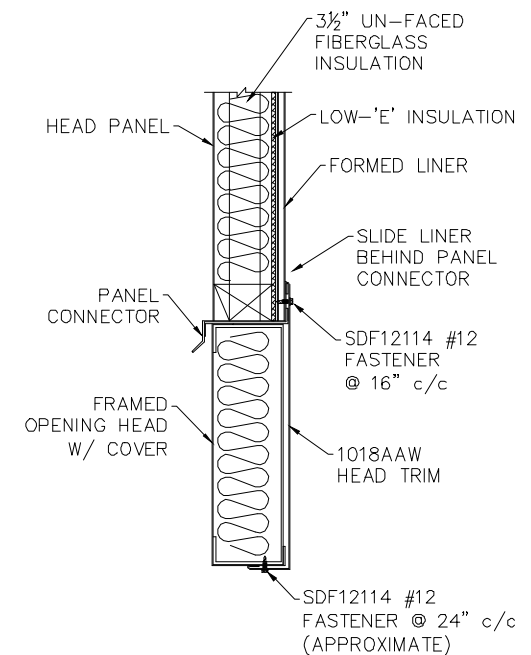


7 FRAMED OPENING JAMB DETAIL



6 FRAMED OPENING HEAD DETAIL WITH HEAD AT EAVE HEIGHT

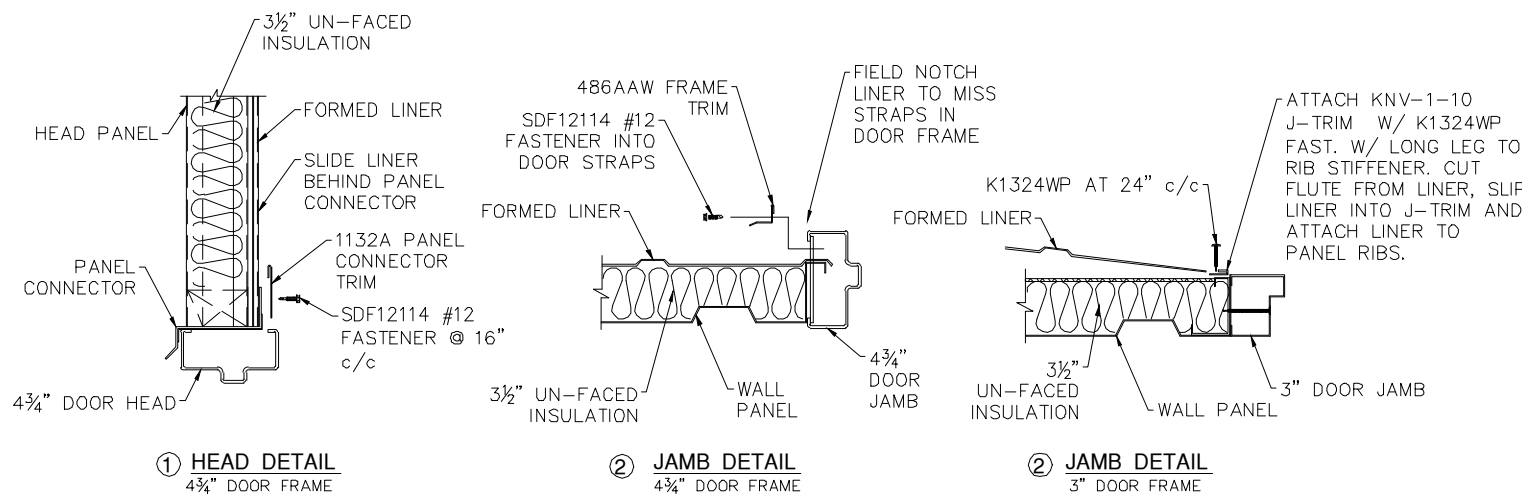


6 FRAMED OPENING HEAD DETAIL WITH HEAD LESS THAN EAVE HEIGHT

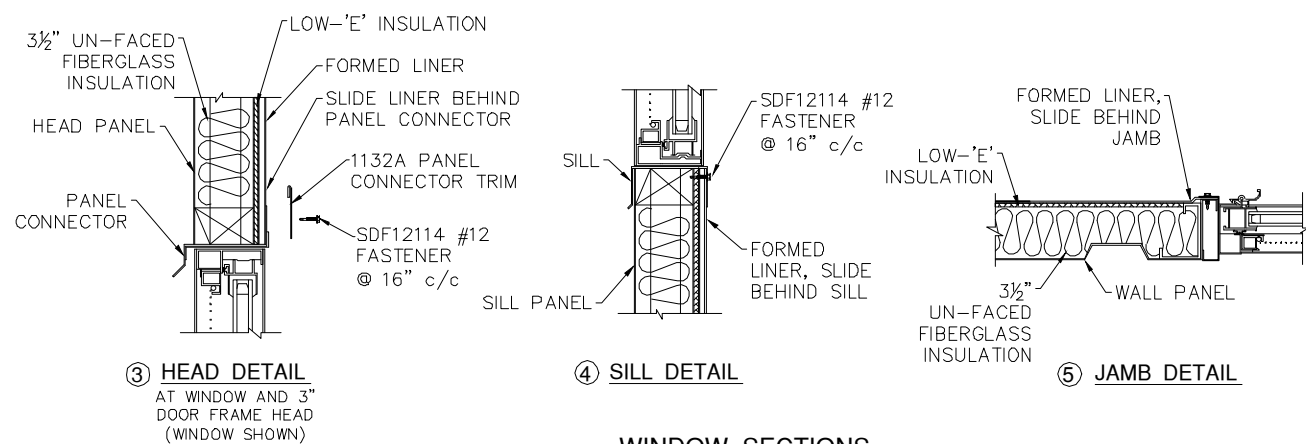
INSTALLATION
 (CONTINUED FROM DRAWING # FORMPLUS-1)

STEP 7 INSTALL TRIM AT FRAMED OPENINGS AND DOORS.
 NOTE: TRIM IS PROVIDED IN STOCK LENGTHS. FIELD CUTTING OR SPLICING MAY BE REQUIRED.

NOTE: SOME ERECTORS PREFER TO LET LINER LAP OVER PANEL CONNECTORS, SILLS AND JAMBS INSTEAD OF "TUCKING" BEHIND AS SHOWN. PART # 790A TRIM IS PROVIDED FOR OPTIONAL USE IF PREFERRED.



WALK DOOR SECTIONS



WINDOW SECTIONS
 HORIZONTAL SLIDER SHOWN
 SIMILAR FOR FIXED WINDOWS, WALL OPENING KITS AND LOUVERS

REVISIONS	BY
08-22-11	RAP
08-23-11	RAP
01-09-12	JMC

PARKLINE, INC.
 RT. 62, ELEANOR INDUSTRIAL PARK
 ELEANOR, WV 25070
 EMAIL: PARKLINE@PARKLINE.COM
 PHONE: 800-786-4855
 FAX: 304-586-3842
 ENGINEER: TOM HARDING
 THARDING@PARKLINE.COM



JOB DESCRIPTION: **INSTALLATION DETAILS FOR FORMED PLUS WALL LINER**

SHEET TITLE: **DETAIL**

DATE	12-12-07
DRAWN BY	BAS
SCALE	NTS
ORDER NO.	
REVISION	3

FORMPLUS-2