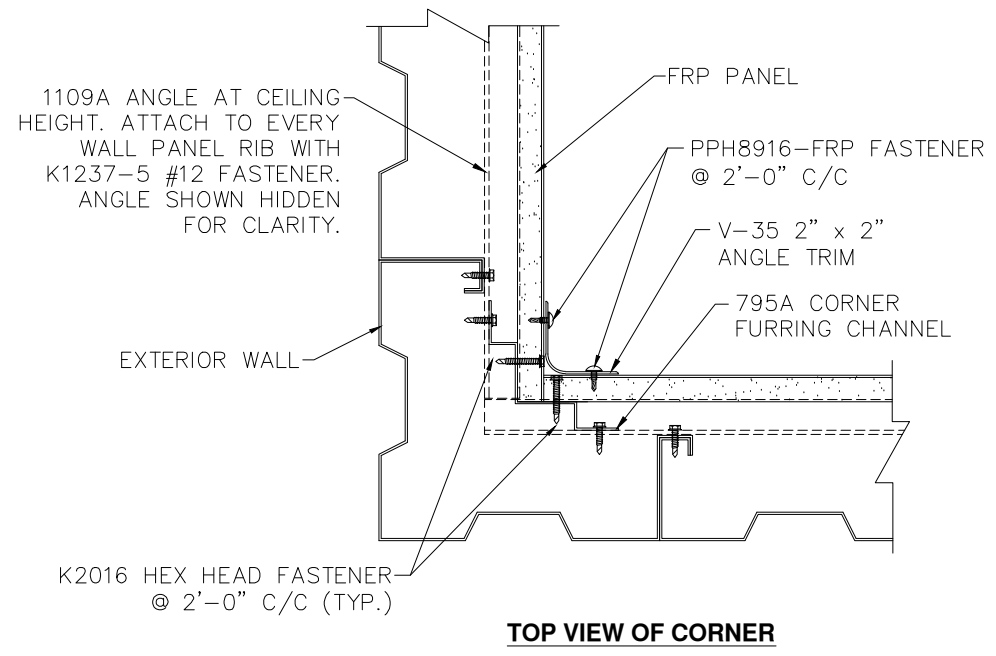
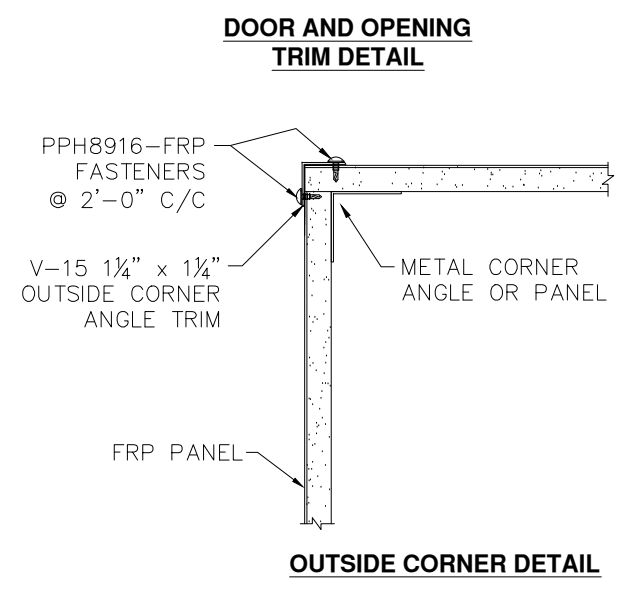
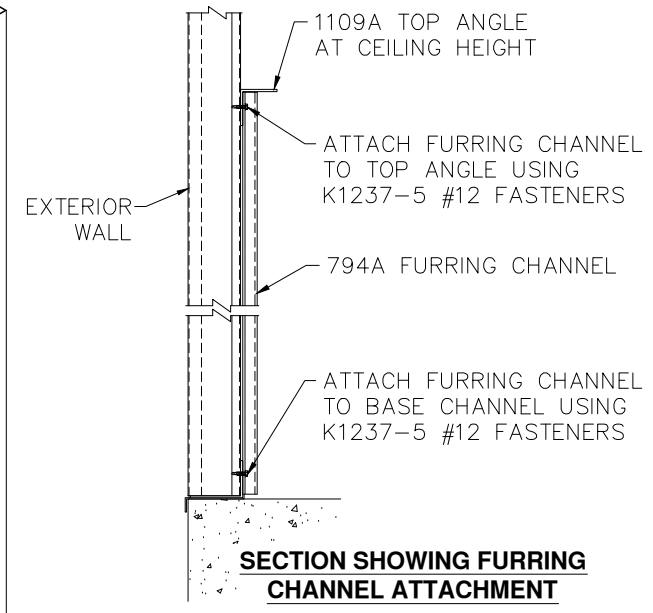
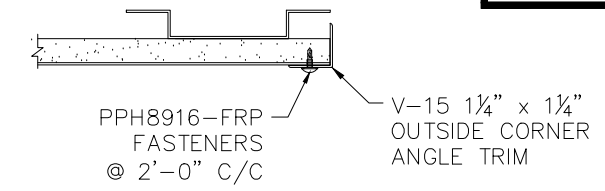


SEE DRAWING FRP-2 FOR OTHER MISC. DETAILS, INSTALLATION NOTES, AND INSTRUCTIONS.



REVISIONS	BY

PARKLINE, INC.
 P. O. Box 65 Winfield, WV 25213
 phone: (304) 586-2113

JOB DESCRIPTION
INSTALLATION DETAILS FOR FIBERGLASS REINFORCED PANEL LINER SYSTEM

SHEET TITLE
FRP DETAILS

DATE 05-15-09
 DRAWN BY CEM
 SCALE N.T.S.
 ORDER NO.
 REVISION 0
 DWG. NO.

FRP-1