

MOLDING INSTALLATION:

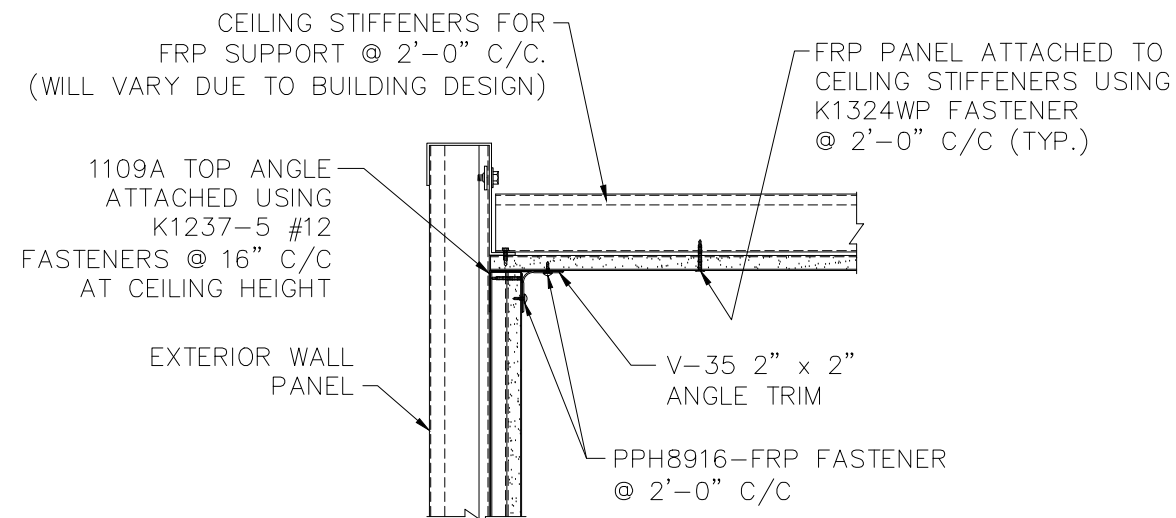
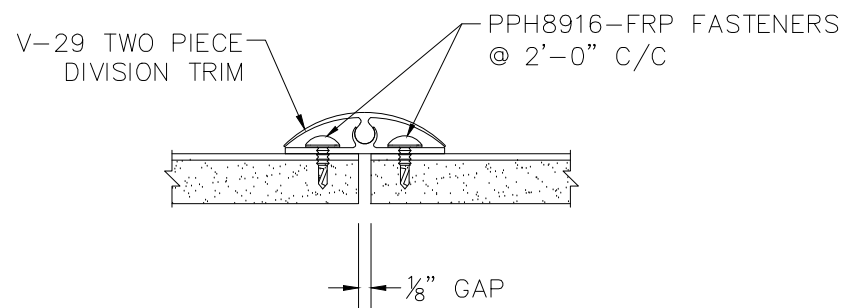
1. PRE-DRILL MOLDINGS, IF REQUIRED.
2. CUT MOLDINGS AS NEEDED FOR PROPER FIT. THE DIVISION BAR, INSIDE CORNER, AND OUTSIDE CORNER MOLDINGS MAY NEED TO BE CUT TO ACCOMODATE CEILING AND BASE MOLDINGS.
3. ALWAYS USE MOLDINGS AND SILICONE CAULKING AT ALL JOINTS AND EDGES.
4. SURFACE MOUNTED MOLDINGS MAY BE APPLIED WITH 3M TAPE #4930VHB, OR EQUIVALENT, ADHESIVE OR FASTENERS. FASTENERS ARE SUPPLIED AS STANDARD ATTACHMENT METHOD.

HIGH MOISTURE AREAS:

IN HIGH MOISTURE OR FREQUENTLY WASHED DOWN AREAS, SILICONE SHOULD BE PLACED BETWEEN MOLDING AND FLOOR TO PREVENT MOISTURE FROM PENETRATING BACK OF PANEL SUBSTRATE. ON CEMENT FLOORS, USE SELF-PRIMING SEALANT (i.e. MONO).

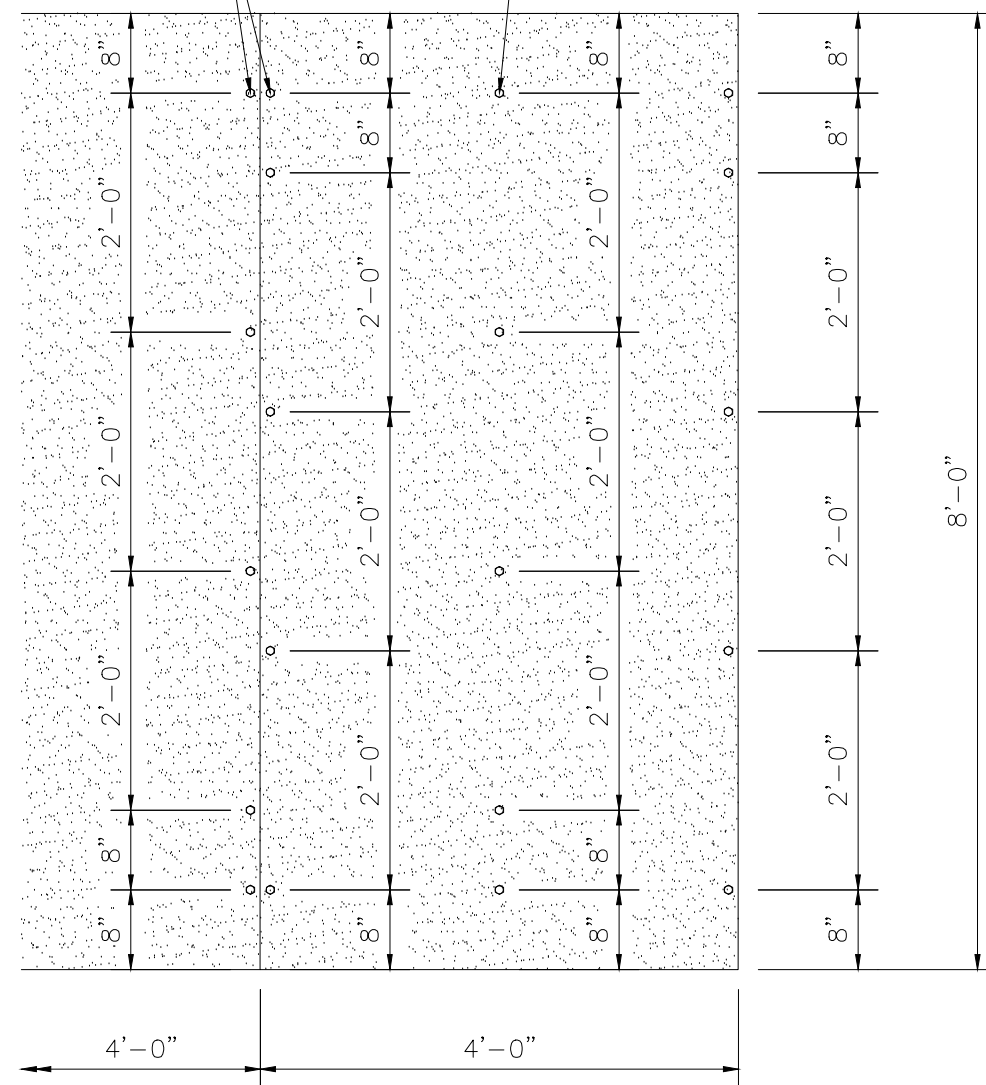
EXPANSION AND CONTRACTION:

ALL PANELS WILL EXPAND AND CONTRACT. ALLOW 1/8" GAP AT CEILING AND BASE. IF FACE MOUNTED MOULDINGS ARE USED, SUCH AS TWO PIECE DIVISION BARS, ALLOW A 1/8" GAP BETWEEN PANELS. SEE DIAGRAM BELOW.



K2016 HEX HEAD FASTENER @ 2'-0" C/C (TYP. @ EDGES) STAGGER AS SHOWN

K1324WP-FRP FASTENERS @ 2'-0" C/C MAX. (TYP. @ CENTER)



RECOMMENDED FASTENER LAYOUT

REVISIONS	BY
05-03-12	TLC

PARKLINE, INC.
P O Box 65 Winfield, WV 25213
phone: (304) 586-2113

JOB DESCRIPTION	INSTALLATION DETAILS FOR FIBERGLASS REINFORCED PANEL LINER SYSTEM
SHEET TITLE	FRP DETAILS

DATE	05-15-09
DRAWN BY	CEM
SCALE	N.T.S.
ORDER NO.	
REVISION	1

DWG. NO. **FRP-2**