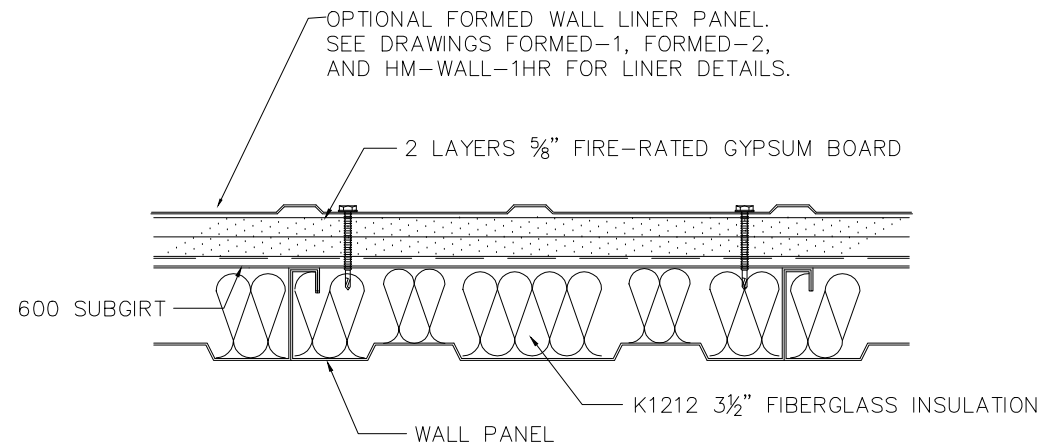


WALL ELEVATION



1 - HOUR FIREWALL

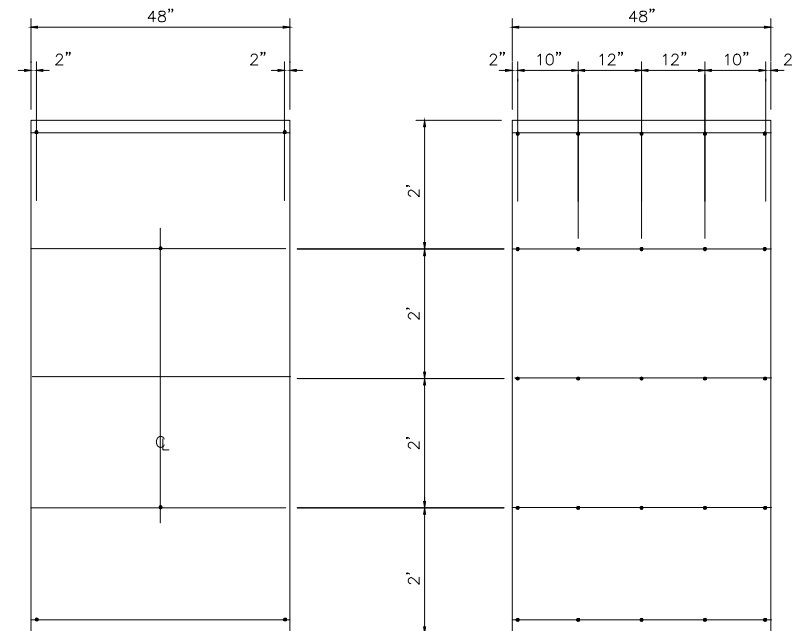
1 HOUR FIREWALL (GA FILE #WP9060)

WALLBOARD IS TO BE 5/8" FIRE-RATED GYPSUM AND SHALL CARRY AN UNDERWRITERS' LABORATORIES LABEL (USG FIRECODE C, TYPE X OR EQUAL)

- STEP 1. AFTER EXTERIOR WALLS ARE ERECTED, INSTALL K1212 3 1/2" FIBERGLASS INSULATION INTO THE PANEL CAVITY, FILLING ALL VOIDS.
- STEP 2. ATTACH SUBGIRTS TO EACH WALL PANEL RIB (MAXIMUM SPACING 16" O.C.). THE FIRST ROW SHOULD BE INSTALLED DIRECTLY ABOVE THE BASE CHANNEL. CONTINUE INSTALLING SUBGIRTS AT 24" C/C SPACING. IF FIREWALL IS TO BE COVERED WITH LINER THEN, A ROW OF SUBGIRTS MUST BE INSTALLED AT CEILING TRIM LOCATION. (SEE DRAWING HM-WALL-1). FASTEN THE SUBGIRTS TO THE PANEL RIBS WITH K1237-5, #12 x 3/4" SELF-DRILLING FASTENERS. SUBGIRTS SHALL INTERLOCK (TELESCOPED) FOR CONTINUITY.
- STEP 3. ALL WALLBOARD IS ERECTED VERTICALLY. ATTACH THE FIRST LAYER OF WALLBOARD TO THE SUBGIRTS WITH SIX (6) KHM-DWSA #6 x 1" SELF-DRILLING DRYWALL SCREWS PER SHEET. INSTALL SCREWS 2" FROM EACH EDGE AND 24" FROM THE TOP AND BOTTOM. ALONG THE VERTICAL CENTER-LINE OF THE SHEET, INSTALL AN ADDITIONAL SCREW INTO THE TWO CENTRAL MOST SUBGIRTS (SEE DETAIL).
- STEP 4. THE SECOND LAYER OF WALLBOARD IS PLACED OVER THE FIRST WITH THE JOINTS STAGGERED 16" FROM THE FIRST LAYER. ATTACH THE WALLBOARD TO THE SUBGIRTS WITH KHM-DWSC #6 x 1 1/8" SELF-DRILLING DRY-WALL SCREWS SPACED 12" O.C. ON EACH LINE SUBGIRTS (SEE DETAIL).

NOTE FOR METAL BUILDINGS WITHOUT METAL WALL LINER:

ALL EXPOSED JOINTS TO BE REINFORCED WITH PAPER TAPE AND FINISHED WITH JOINT COMPOUND. EXPOSED SCREW HEADS TO BE COVERED WITH JOINT COMPOUND.



LOCATION OF SCREWS

1st LAYER - 1 HOUR WALL

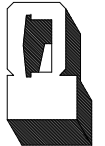
LOCATION OF SCREWS

2nd LAYER - 1 HOUR WALL

METAL STUD PANELS FORM A LOAD BEARING WALL, PROTECTED BY A NON LOAD BEARING GYPSUM FIRE RATED BARRIER.

REVISIONS	BY
03-04-05	RAP
01-03-06	DLR
1-30-12	CBP
04-30-12	TLC

PARKLINE, INC.
 RT. 62, ELEANOR INDUSTRIAL PARK
 ELEANOR, WV 25070
 EMAIL: PARKLINE@PARKLINE.COM
 PHONE: 800-786-4855
 FAX: 304-586-3842
 ENGINEER: TOM HARDING
 THARDING@PARKLINE.COM



JOB DESCRIPTION
1 HOUR FIREWALL

SHEET TITLE
DETAILS

DATE 06-20-01

DRAWN BY DLR

SCALE NTS

ORDER NO.

REVISION **4**

HM-FIRE-1HR