

**WALL ELEVATION**

**1 HOUR FIREWALL (GA FILE #WP9060)**

WALLBOARD IS TO BE 5/8" FIRE-RATED GYPSUM AND SHALL CARRY AN UNDERWRITERS' LABORATORIES LABEL (USG FIRECODE C, TYPE X OR EQUAL)

- STEP 1. AFTER EXTERIOR WALLS ARE ERECTED, INSTALL K1313 3 1/2" FIBERGLASS INSULATION INTO THE PANEL CAVITY, FILLING ALL VOIDS.
- STEP 2. ATTACH SUBGIRTS TO EACH WALL PANEL RIB (MAXIMUM SPACING 16" O.C.) DIRECTLY ABOVE THE BASE CHANNEL AND AT 24" INTERVALS THEREAFTER. FASTEN THE SUBGIRTS TO THE PANEL RIBS WITH K1237-5, #12 x 3/4" SELF-DRILLING FASTENERS. SUBGIRTS SHALL INTERLOCK (TELESCOPED) FOR CONTINUITY.
- STEP 3. ALL WALLBOARD IS ERECTED VERTICALLY. ATTACH THE FIRST LAYER OF WALLBOARD TO THE SUBGIRTS WITH SIX (6) KHM-DWSA #6 x 1" SELF-DRILLING DRYWALL SCREWS PER SHEET. INSTALL SCREWS 2" FROM EACH EDGE AND 24" FROM THE TOP AND BOTTOM. ALONG THE VERTICAL CENTER-LINE OF THE SHEET, INSTALL AN ADDITIONAL SCREW INTO THE TWO CENTRAL MOST SUBGIRTS (SEE DETAIL).
- STEP 4. THE SECOND LAYER OF WALLBOARD IS PLACED OVER THE FIRST WITH THE JOINTS STAGGERED 16" FROM THE FIRST LAYER. ATTACH THE WALLBOARD TO THE SUBGIRTS WITH KHM-DWSC #6 x 1 1/8" SELF-DRILLING DRY-WALL SCREWS SPACED 12" O.C. ON EACH LINE SUBGIRTS (SEE DETAIL).

**2 HOUR FIREWALL (GA FILE #WP9325)**

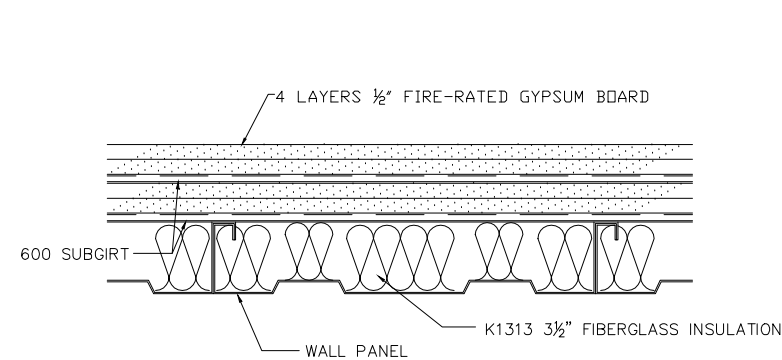
WALLBOARD IS TO BE 1/2" FIRE-RATED GYPSUM AND SHALL CARRY AN UNDERWRITERS' LABORATORIES LABEL (USG FIRECODE C, TYPE X OR EQUAL)

- STEP 1. AFTER EXTERIOR WALLS ARE ERECTED, INSTALL K1313 3 1/2" FIBERGLASS INSULATION INTO THE PANEL CAVITY, FILLING ALL VOIDS.
- STEP 2. ATTACH SUBGIRTS (FURRING STRIPS) TO EACH WALL PANEL RIB (MAXIMUM SPACING 16" O.C.) DIRECTLY ABOVE THE BASE CHANNEL AND AT 24" INTERVALS THEREAFTER. FASTEN THE SUBGIRTS TO THE PANEL RIBS WITH K1237-5, #12 x 3/4" SELF-DRILLING FASTENERS. SUBGIRTS SHALL INTERLOCK (TELESCOPED) FOR CONTINUITY.
- STEP 3. ALL WALLBOARD IS ERECTED VERTICALLY. ATTACH THE FIRST LAYER OF WALLBOARD TO THE SUBGIRTS WITH SIX (6) KHM-DWSA #6 x 1" SELF-DRILLING DRYWALL SCREWS PER SHEET. INSTALL SCREWS 2" FROM EACH EDGE AND 24" FROM THE TOP AND BOTTOM. ALONG THE VERTICAL CENTER-LINE OF THE SHEET, INSTALL AN ADDITIONAL SCREW INTO THE TWO CENTRAL MOST SUBGIRTS (SEE DETAIL).
- STEP 4. THE SECOND LAYER OF WALLBOARD IS PLACED OVER THE FIRST WITH THE JOINTS STAGGERED 16" FROM THE FIRST LAYER. ATTACH THE WALLBOARD TO THE SUBGIRTS WITH KHM-DWSC #6 x 1 1/8" SELF-DRILLING DRY-WALL SCREWS SPACED 12" O.C. ON EACH LINE SUBGIRTS (SEE DETAIL).
- STEP 5. INSTALL A SECOND LAYER OF SUBGIRTS HORIZONTALLY OVER THE TWO LAYERS OF WALLBOARD AND ATTACH TO THE PREVIOUS SUBGIRTS WITH KHM-DWSC #6 x 1 1/8" SELF-DRILLING DRYWALL SCREWS AT 16" O.C. OFFSET SCREWS LOCATIONS 8" FROM WALLBOARD JOINTS..
- STEP 6. PLACE THE THIRD LAYER OF WALLBOARD WITH JOINTS AT THE SUBGIRT SCREWS. ATTACH THE WALLBOARD WITH KHM-DWSA #6 x 1" SELF-DRILLING DRYWALL SCREWS SPACED THE SAME AS THE PREVIOUS LAYERS.
- STEP 7. THE FOURTH LAYER OF WALLBOARD IS PLACED WITH JOINTS STAGGERED 16" FROM THE PREVIOUS LAYER. ATTACH WITH KHM-DWSC #6 x 1 1/8" SELF-DRILLING DRYWALL SCREWS SPACED 12" O.C. ON EACH LINE OF SUBGIRTS (SEE DETAIL)

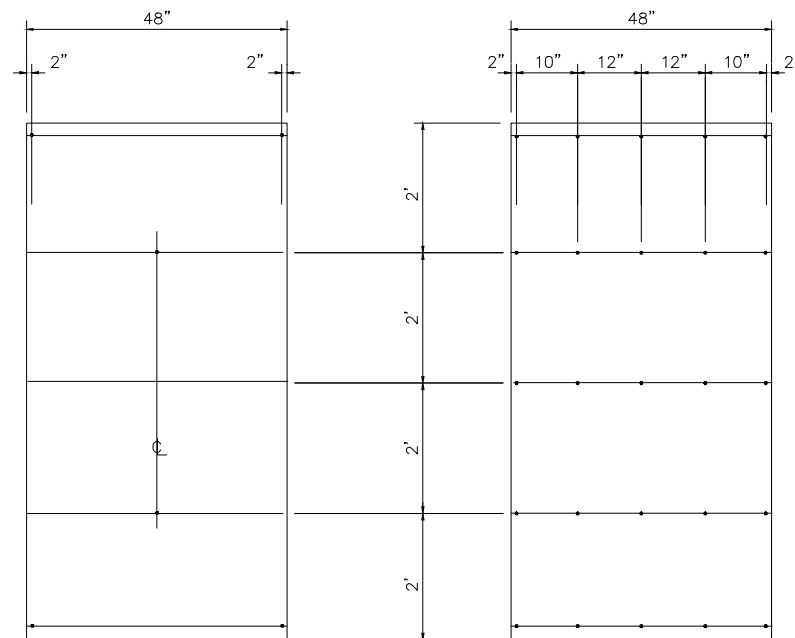
**NOTE FOR METAL BUILDINGS WITHOUT METAL WALL LINER:**

ALL EXPOSED JOINTS TO BE REINFORCED WITH PAPER TAPE AND FINISHED WITH JOINT COMPOUND. EXPOSED SCREW HEADS TO BE COVERED WITH JOINT COMPOUND.

**METAL STUD PANELS FORM A LOAD BEARING WALL, PROTECTED BY A NON LOAD BEARING GYPSUM FIRE RATED BARRIER.**



**2 - HOUR FIREWALL**

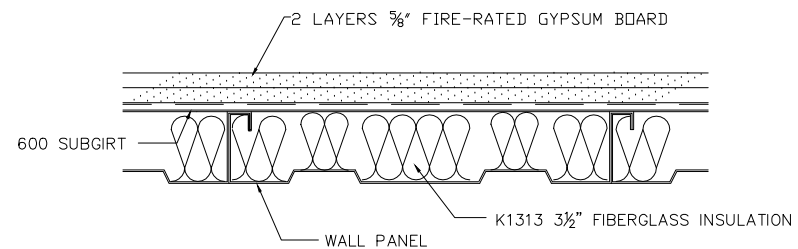


**LOCATION OF SCREWS**

1st LAYER - 1 HOUR WALL  
1st & 3rd LAYER - 2 HOUR WALL

**LOCATION OF SCREWS**

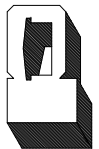
2nd LAYER - 1 HOUR WALL  
2nd & 4th LAYER - 2 HOUR WALL



**1 - HOUR FIREWALL**

REVISIONS	BY
01-30-02	DLR
02-25-05	RAP
07-15-09	RAP
07-16-09	CEM
04-30-12	TLC

**PARKLINE, INC.**  
RT. 62, ELEANOR INDUSTRIAL PARK  
ELEANOR, WV 25070  
EMAIL: PARKLINE@PARKLINE.COM  
PHONE: 800-786-4855  
FAX: 304-586-3842  
ENGINEER: TOM HARDING  
THARDING@PARKLINE.COM



JOB DESCRIPTION  
**DETAILS FOR  
1 AND 2 HOUR FIREWALL**

SHEET TITLE  
**INSTALLATION**

DATE	4-04-97
DRAWN BY	DLR
SCALE	NTS
ORDER NO.	
REVISION	5

**HM-FIRE**