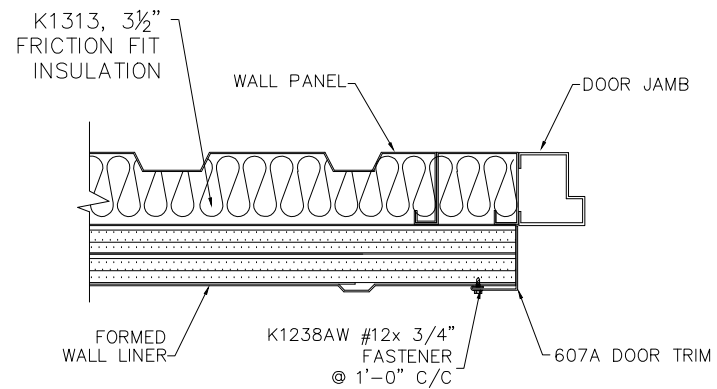


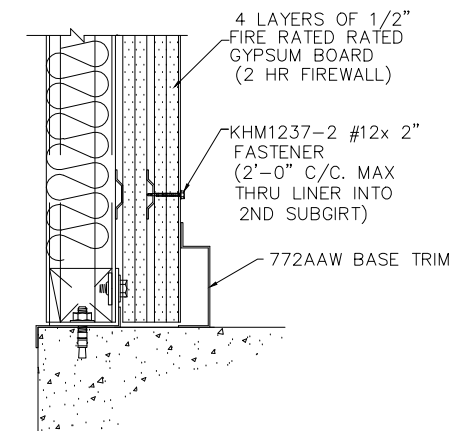
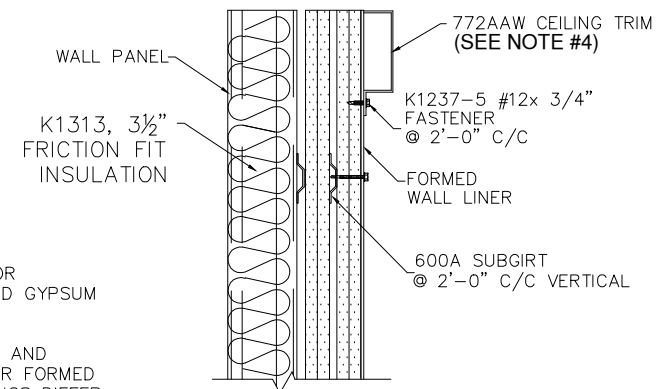
**NOTE:**  
DO NOT INSTALL LINER SCREWS THRU RIB OF LINER. (SEE NOTE #5)

**TYPICAL CORNER DETAIL**



**DOOR TRIM DETAIL**

- NOTE:**
1. REFER TO DRAWING **HM-FIRE** FOR INSTALLATION OF SUBGIRTS AND GYPSUM BOARD.
  2. REFER TO DRAWINGS **FORMED-1** AND **FORMED-2** AS A REFERENCE FOR FORMED LINER. WHERE THE TWO DRAWINGS DIFFER, THIS DRAWING WILL APPLY.
  3. IF OPTIONAL FIRE CEILING IS REQUIRED REFER TO DRAWING **HM-CEIL**.
  4. IF AN OPTIONAL CEILING SYSTEM IS USED, THE CEILING TRIM MAY NOT BE AS SHOWN.
  5. IF A LAP IN THE FORMED LINER DOES NOT LAY FLAT AND TIGHT, INSTALL K1324 #8 FASTENER AS REQUIRED. INSTALL FASTENER NEXT TO LINER RIB WHENEVER POSSIBLE. IF FASTENER MUST PASS THROUGH PANEL RIB, THEN FIELD DRILL HOLE, AND HAND TIGHTEN FASTENER TO AVOID CRUSHING OF LINER RIB.



**TYPICAL SECTION THRU WALL**

REVISIONS	BY
07-16-09	RAP
07-06-11	KRK

**PARKLINE, INC**  
P O Box 65 Winfield, WV 25213  
phone: (304) 586-2113

JOB DESCRIPTION	2 HR FIRE RATED WALL W/ FORMED WALL LINER
	SHEET TITLE
<b>DETAILS</b>	

DATE	01-03-06
DRAWN BY	DLR
SCALE	NTS
ORDER NO.	
REVISION	2

**HM-WALL-2HR**