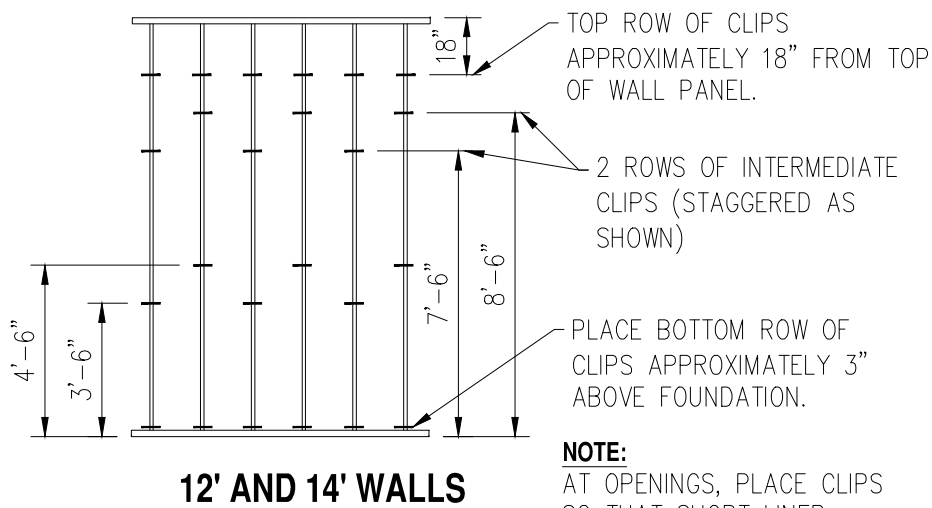
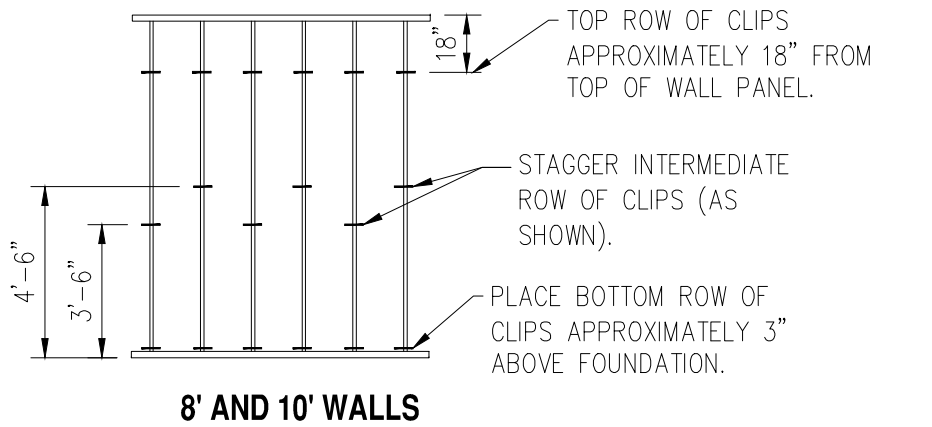
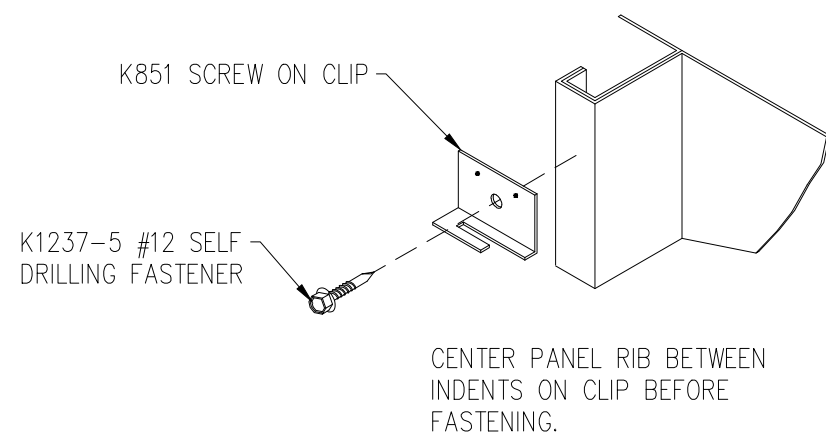


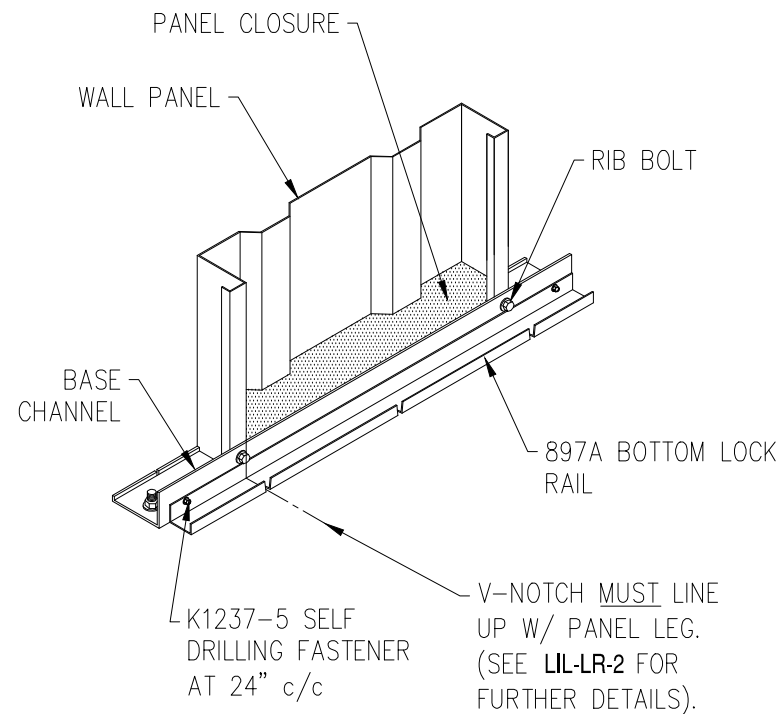
STEP #1 INSTALL CLIPS EXACT CLIP SPACING NOT NECESSARY, PLACE BY EYE, APPROXIMATELY AS SHOWN.



NOTE:
AT OPENINGS, PLACE CLIPS SO THAT SHORT LINER PANELS INTERLOCK WITH AT LEAST TWO CLIPS.



STEP #2 INSTALL BOTTOM LOCK RAIL



STEP #3 INSTALL LINER PANELS

(SEE LIL-LR-2 FOR FURTHER DETAILS).

1. INSTALL K1313 3½", R13 UN-FACED FIBERGLASS INSULATION (OPTIONAL) IN ALL PANELS, SPACERS, AND FRAMED OPENING JAMBS AND HEADS AS REQUIRED.

CAUTION: HANDLE PANELS BY THE EDGE TO PREVENT CRIMPING OF PANEL FACE. CHECK FOR BENT PANEL FLANGES. A BENT FLANGE CAN CAUSE AN OFFSET AT JOINTS.

2. INSTALL LINER PANELS FROM LEFT TO RIGHT STARTING AT THE RIGHT OF A DOOR OPENING.

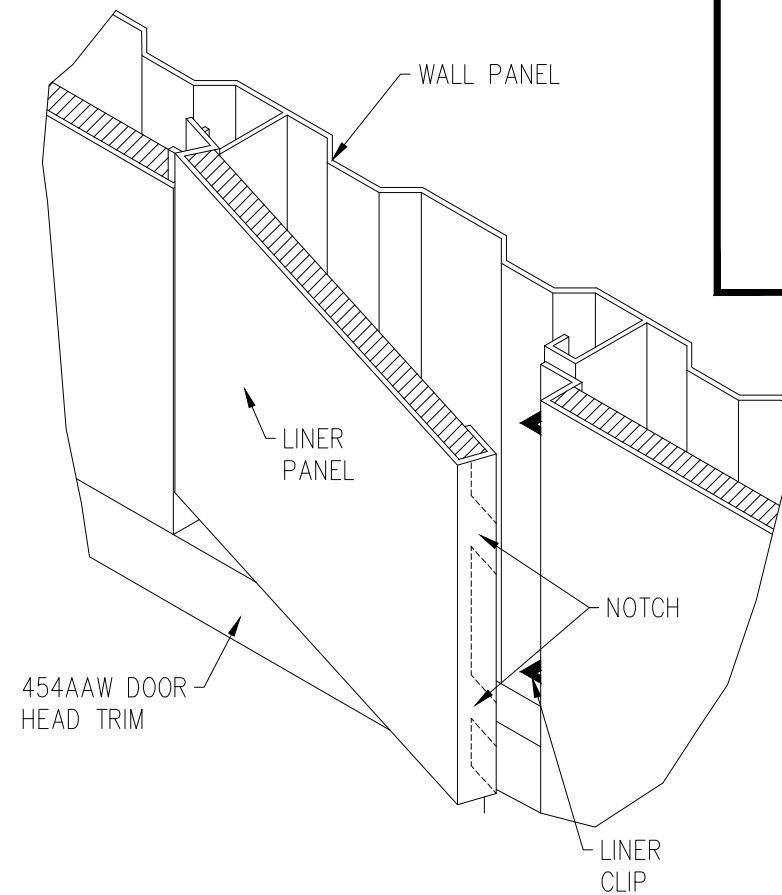


3. INSTALL LAST PANEL (DOOR HEAD PANEL) BY NOTCHING PANEL FLANGE APPROXIMATELY ½" BELOW CLIP LOCATION. RAISE THE PANEL SO THAT THE NOTCH IS AT CLIP AND SLIDE INTO PLACE.

(SEE DETAIL AT DOOR HEAD)

NOTE: IN ORDER TO MAKE REMOVAL OF A DAMAGED PANEL MUCH EASIER, THE ERECTOR MAY WANT TO INSTALL SEVERAL OF THESE NOTCHED PANELS THROUGHOUT THE BUILDING. LOCATION OF THESE NOTCHED PANELS CAN BE MARKED AT A SPOT COVERED BY THE BASE TRIM.

4. BE SURE EACH LINER PANEL IS COMPLETELY IN PLACE BEFORE INSTALLING THE NEXT LINER PANEL. IT IS VERY DIFFICULT TO CLOSE A JOINT AFTER MORE PANELS ARE IN PLACE.



DETAIL @ DOOR HEAD

STEP #4 INSTALL LINER TRIM

1. ACCESSORY FILLER PANELS AND CERTAIN TRIMS MUST BE INSTALLED AS LINER PANELS ARE ERECTED. REFER TO ACCESSORY TRIM DRAWING AS EACH OPENING IS REACHED.
2. WHEN ATTACHING BASE AND CEILING TRIM TO LINER PANEL, DRILL OR PUNCH A ⅛"Ø HOLE IN PANEL TO AVOID STRIPPING OF SCREWS.

NOTE: LINER PANELS THAT ARE 16" OR TALLER ARE FACTORY CUT. LINER PANELS SHORTER THAN 16" MUST BE FIELD CUT FROM FULL LENGTH LINER PANELS.

REVISIONS	BY
12-21-10	TLC

PARKLINE, INC
P O Box 65 Winfield, WV 25213
phone: (304) 586-2113

JOB DESCRIPTION
**LOCK-IN LINER SYSTEM
INSTALLATION INSTRUCTIONS**

SHEET TITLE
SECTIONS AND DETAILS

DATE	11-01-10
DRAWN BY	RAP
SCALE	N.T.S.
ORDER NO.	
REVISION	1

LIL-LR-1