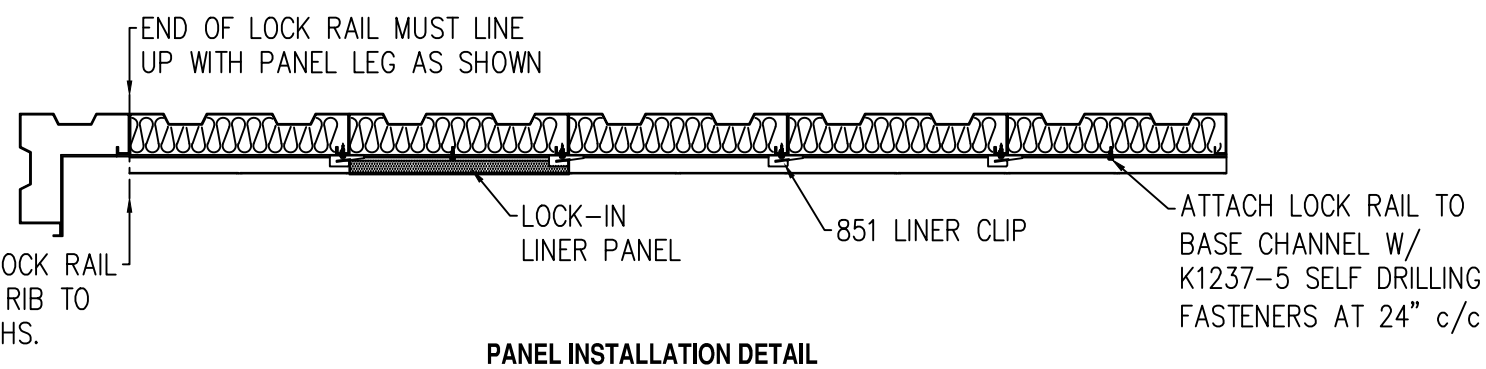
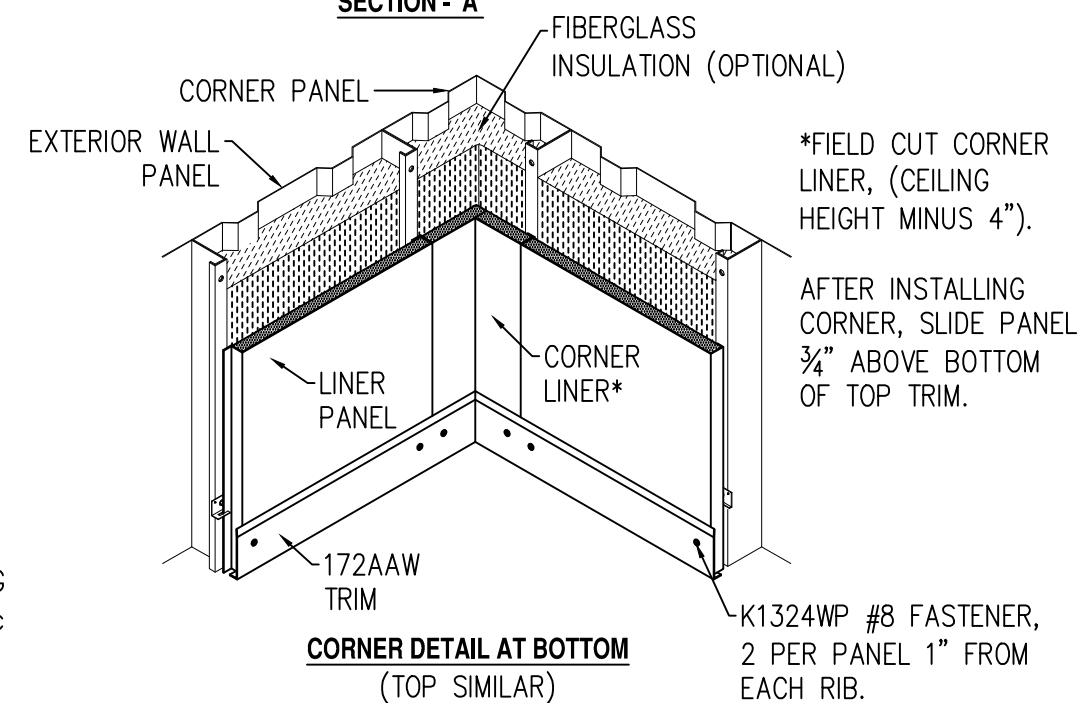
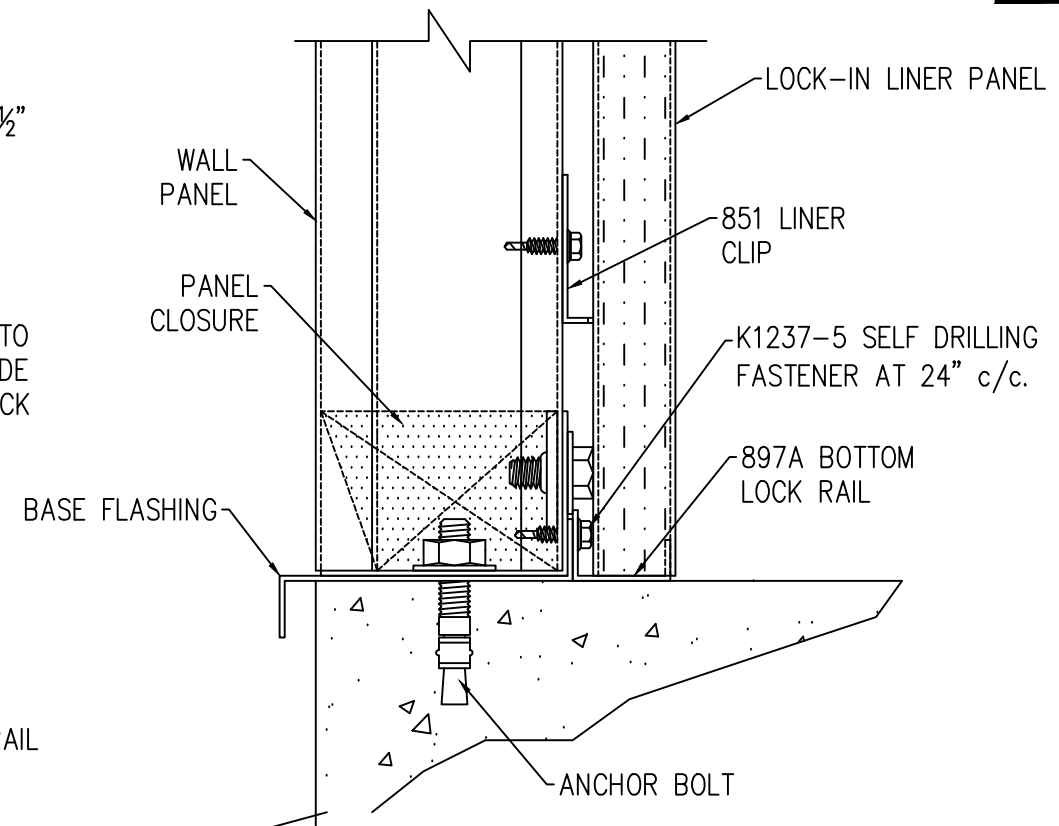


STEP #3 INSTALL LINER PANELS

1. INSTALL 876 SUPPORT, 1191 TOP TRIM AND CEILING AT CEILING HEIGHT SHOWN ON YOUR ELEVATION DRAWING.
2. INSTALL BOTTOM LOCK RAIL AS SHOWN.
4. TO INSTALL LINER PANEL, HOLD PANEL ABOVE LOCK RAIL AND BEHIND TOP TRIM. SLIP INTO CLIPS AND SLIDE PANEL DOWN INTO LOCK RAIL. CONTINUE AROUND BUILDING UNTIL ALL PANELS ARE INSTALLED. (SEE STEP 3 ON LIL-1 FOR INSTALLATION OF LAST PANEL).



REVISIONS	BY
12-21-10	TLC
01-17-11	RAP
03-10-11	RAP

PARKLINE, INC
 P O Box 65 Winfield, WV 25213
 phone: (304) 586-2113

JOB DESCRIPTION
**LOCK-IN LINER SYSTEM
 INSTALLATION INSTRUCTIONS**

SHEET TITLE
SECTIONS AND DETAILS

DATE	11-01-10
DRAWN BY	RAP
SCALE	N.T.S.
ORDER NO.	
REVISION	3

LIL-LR-2