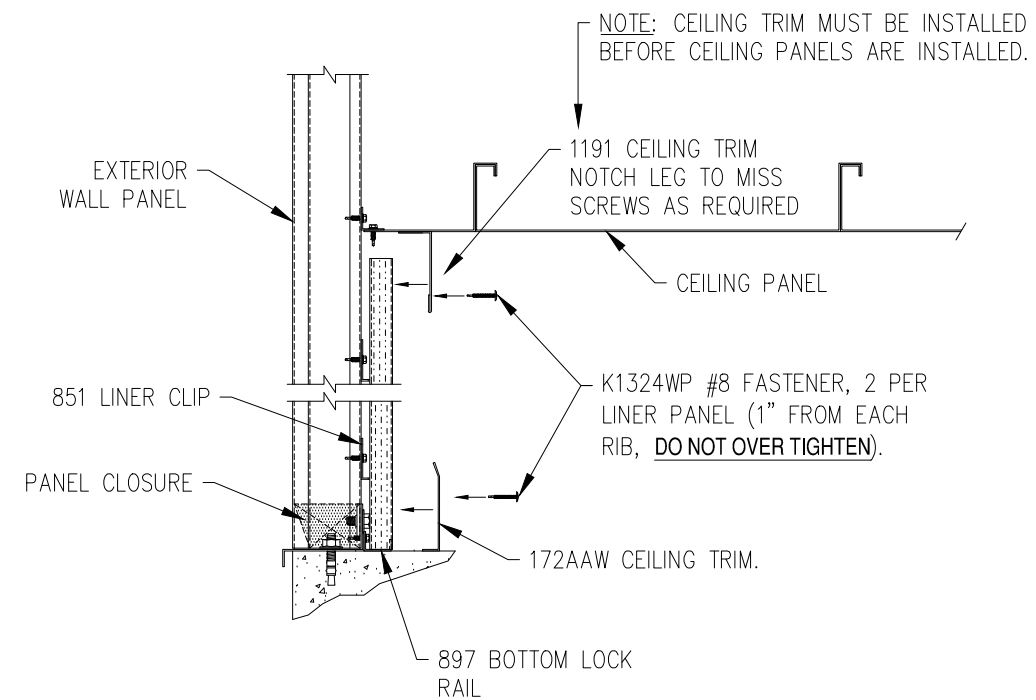


SIDEWALL SECTION

TYPE 'AL' AND 'S' BUILDINGS WITH CEILING

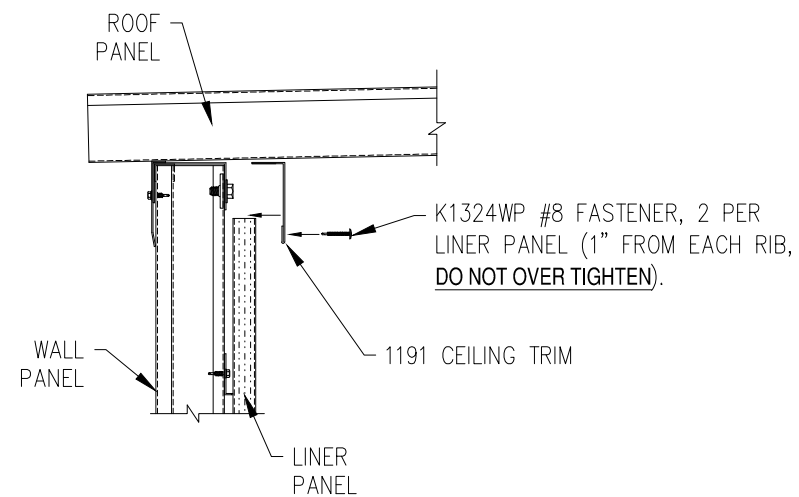
NOTES:

1. CORNER LINER, 8" AND 4" WIDE LINER PANELS ARE PROVIDED IN STANDARD LENGTHS. FIELD CUTTING MAY BE REQUIRED.
2. LINER PANELS LESS THAN 16" IN LENGTH MUST BE FIELD CUT FROM FULL LENGTH LINER PANELS.

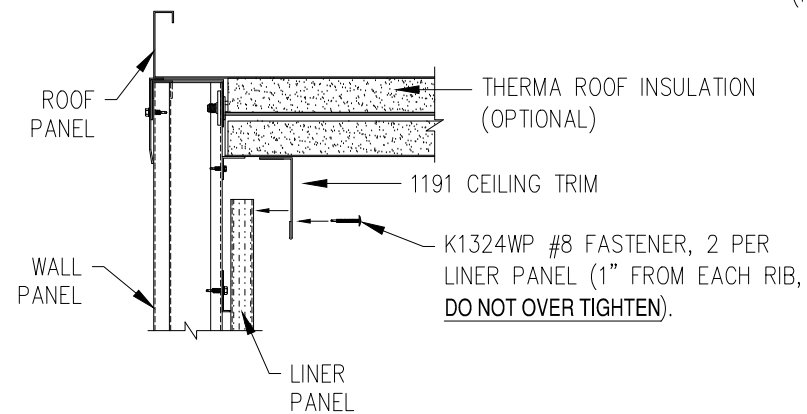


ENDWALL SECTION

TYPE 'AL' AND 'S' BUILDINGS WITH CEILING

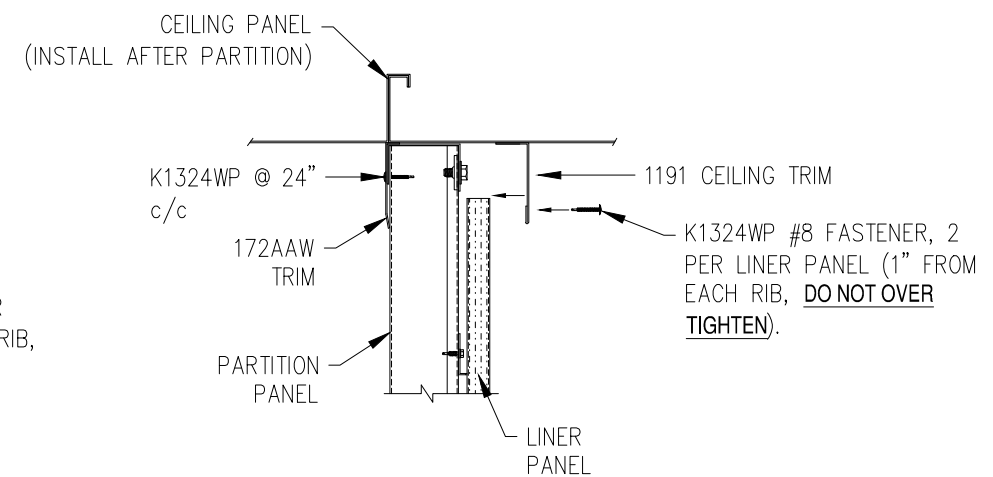


SIDEWALL SECTION



TRIM DETAIL

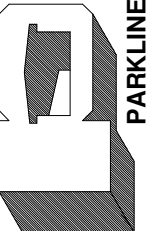
TYPE 'S' BUILDINGS WITHOUT CEILING. TYPICAL AT ENDWALLS AND HIGH SIDEWALL. (ENDWALL SECTION SHOWN) SHOWN WITH OPTIONAL THERMA ROOF INSULATION.



PARTITION SECTION

TYPE 'S' AND 'AL' BUILDINGS WITH CEILING SHOWN. WITHOUT CEILING, PARTITION EXTENDS TO UNDERSIDE OF ROOF ON TYPE 'S' BUILDINGS AND TO EAVE HEIGHT ON TYPE 'AL' BUILDINGS. (NOTE: CEILING TRIM IS OPTIONAL ON 'AL' BUILDINGS WITHOUT CEILING).

REVISIONS	BY
01-17-11	RAP
01-26-11	RAP
03-10-11	RAP
05-21-12	TLC



PARKLINE, INC
P O Box 65 Winfield, WV 25213
phone: (304) 586-2113

JOB DESCRIPTION
**LOCK-IN LINER SYSTEM
INSTALLATION INSTRUCTIONS**

SHEET TITLE
SECTIONS AND DETAILS

DATE	11-01-10
DRAWN BY	RAP
SCALE	N.T.S.
ORDER NO.	
REVISION	4

LIL-LR-3