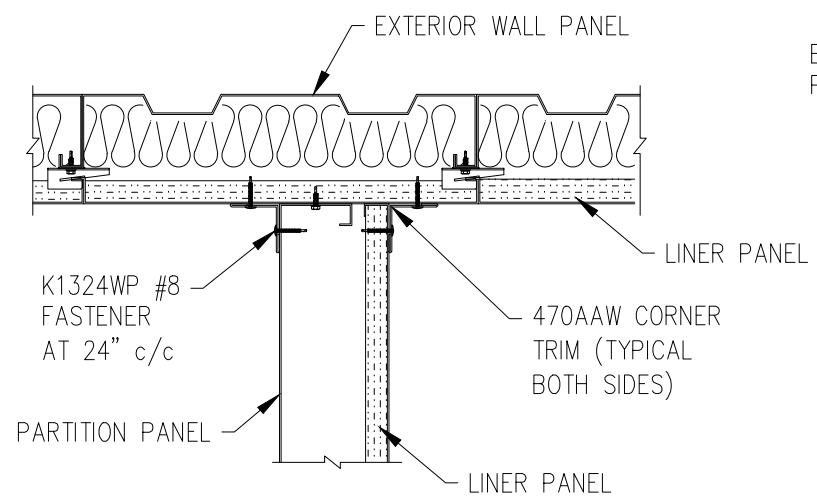
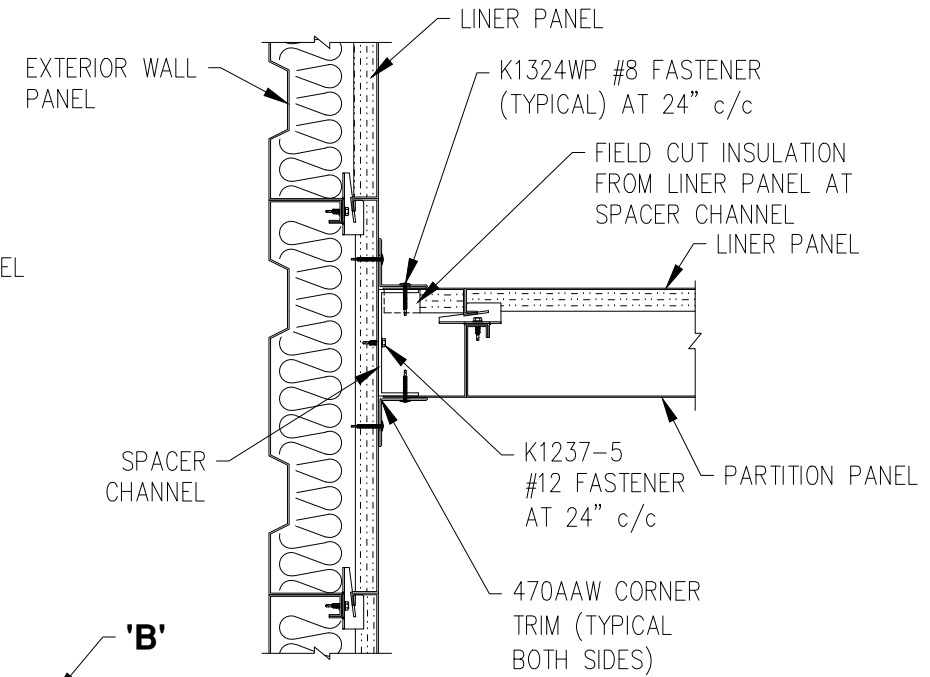


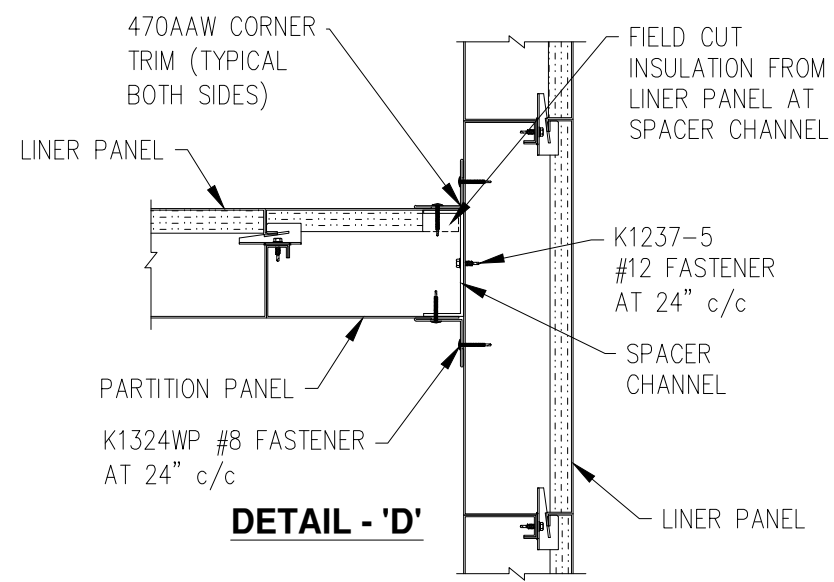
DETAIL - 'A'



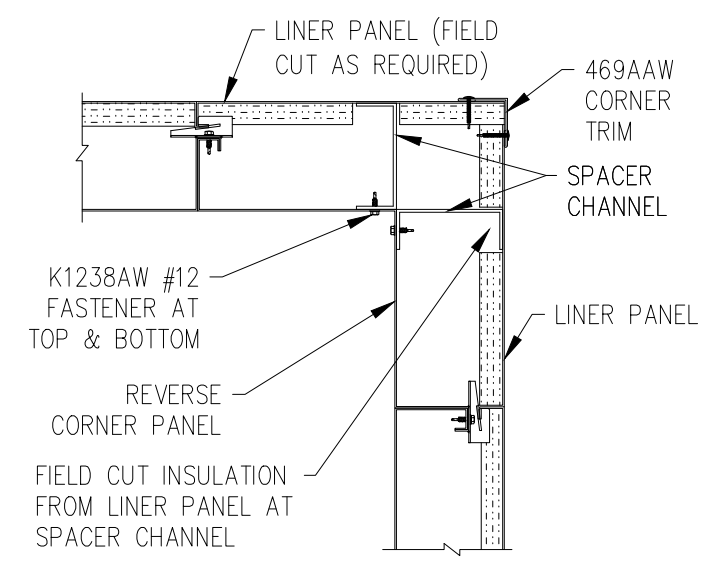
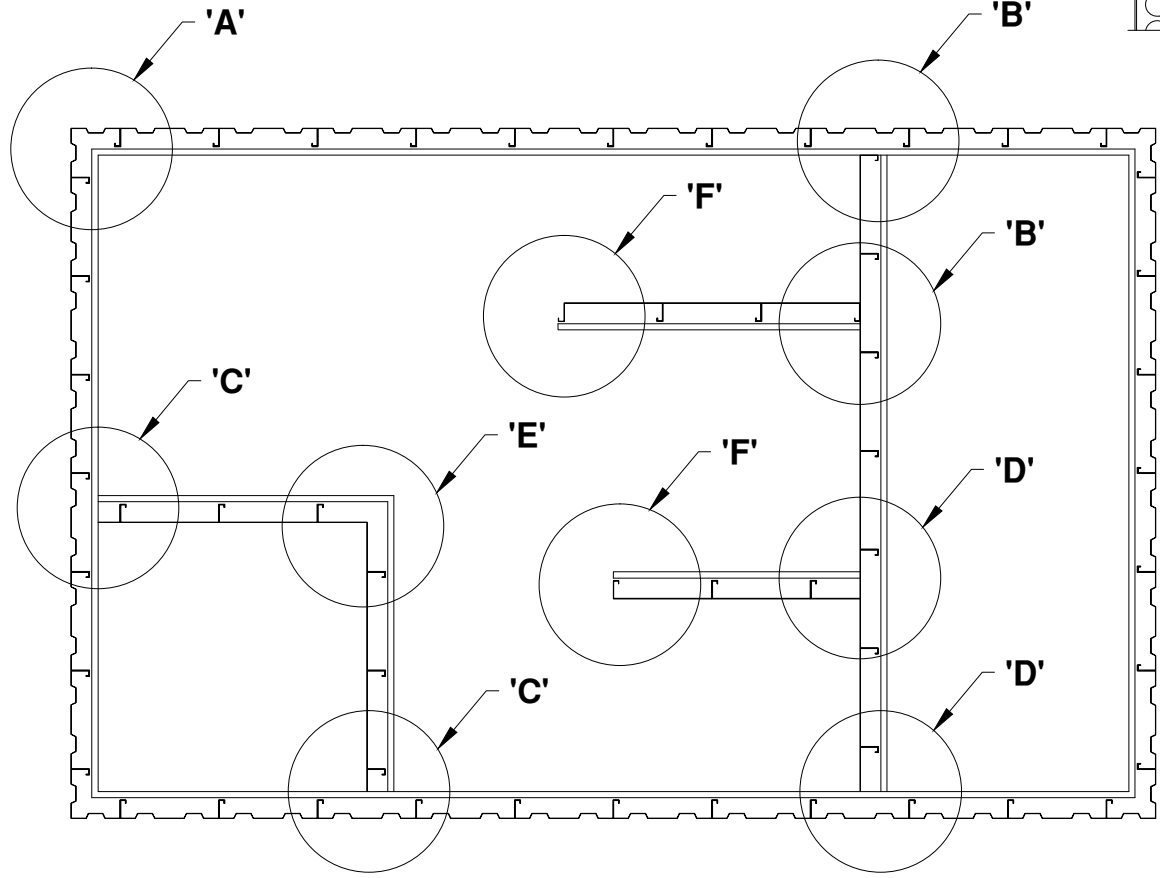
DETAIL - 'B'



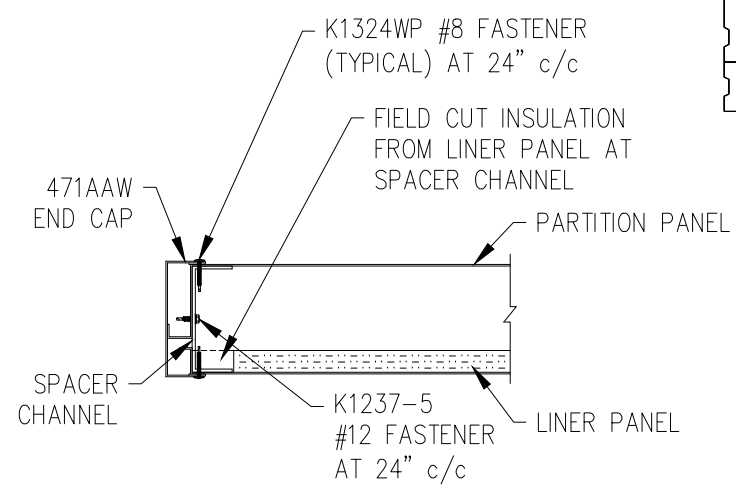
DETAIL - 'C'



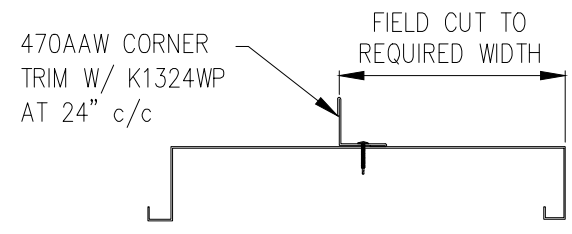
DETAIL - 'D'



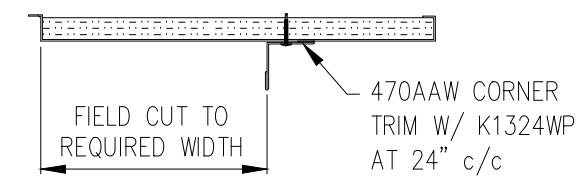
DETAIL - 'E'



DETAIL - 'F'



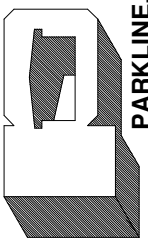
(FINISHING PARTITION PANEL)



(STARTING LINER PANEL)

CUTTING DETAIL

REVISIONS	BY



PARKLINE, INC
P O Box 65 Winfield, WV 25213
phone: (304) 586-2113

**LOCK-IN LINER SYSTEM
INSTALLATION INSTRUCTIONS**

SECTIONS AND DETAILS

JOB DESCRIPTION: LOCK-IN LINER SYSTEM INSTALLATION INSTRUCTIONS
SHEET TITLE: SECTIONS AND DETAILS

DATE	11-01-10
DRAWN BY	RAP
SCALE	N.T.S.
ORDER NO.	
REVISION	0

LIL-LR-6