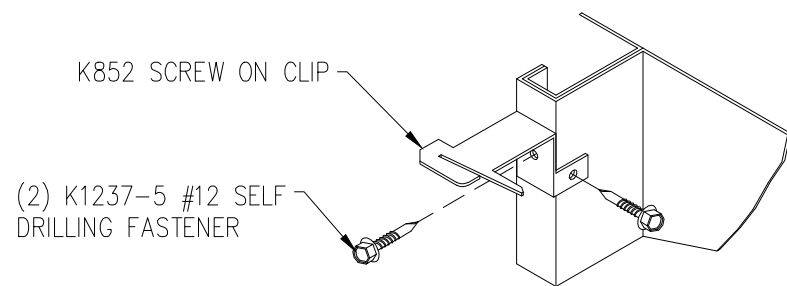
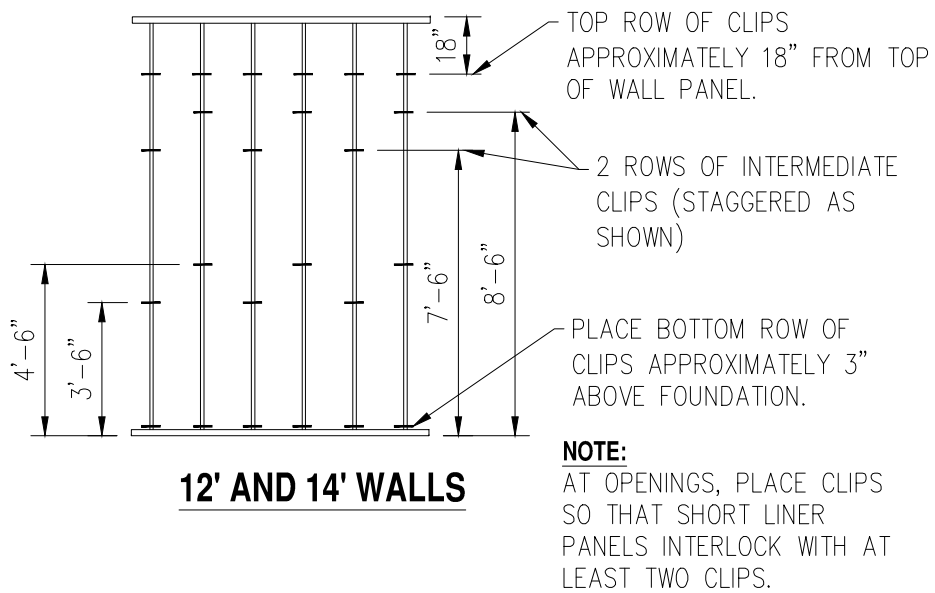
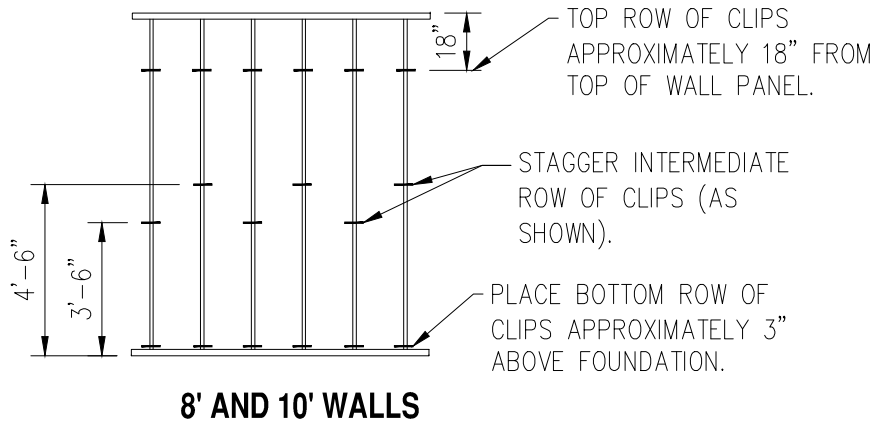
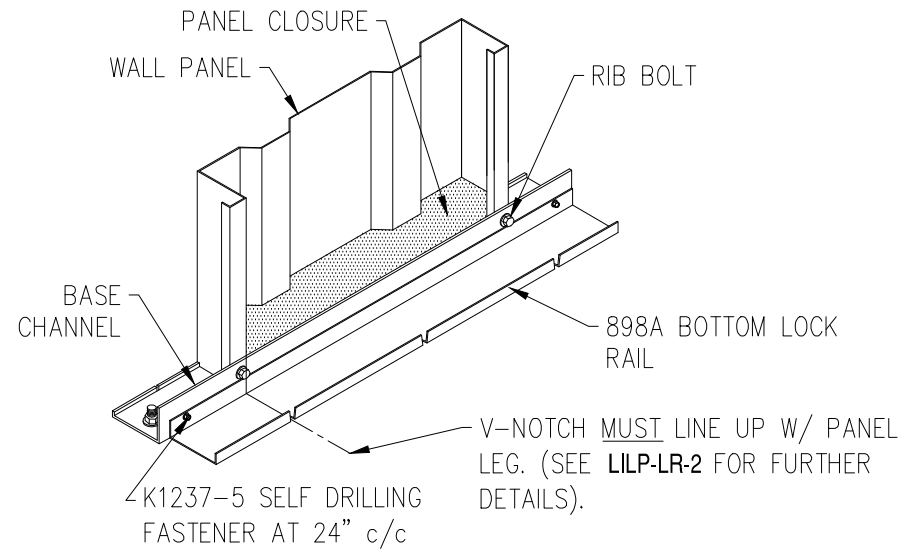


STEP # 1 INSTALL CLIPS EXACT CLIP SPACING NOT NECESSARY, PLACE BY EYE, APPROXIMATELY AS SHOWN.



CENTER PANEL RIB BETWEEN INDENTS ON CLIP BEFORE FASTENING.

STEP # 2 INSTALL BOTTOM LOCK RAIL



STEP # 3 INSTALL INSULATION

NOTE: REFER TO YOUR JOB SPECIFIC FLOOR PLAN FOR WALL INSULATION REQUIREMENTS.

- (OPTIONAL) INSTALL K1313, 3½", R13 UN-FACED FIBERGLASS INSULATION IN ALL PANELS, SPACERS, ETC. AS REQUIRED.
- REST KL1508 INSULATION BOARD ON THE LOCK RAIL IN FRONT OF AREA OF INSULATION.
- PLACE BOTTOM OF BOARD NEXT TO BOTTOM OF WALL PANELS WITH THE TOP TILTED OUTWARD.
- PUSH INSULATION BOARD AGAINST SCREW-ON CLIPS SO THAT THEY PENETRATE THROUGH THE INSULATION BOARD.
- FIELD CUT BOARD AS REQUIRED AROUND OPENINGS.

NOTE: ON BUILDINGS OVER 8' TALL, INSULATION BOARDS MUST BE CUT TO MAKE SPLICE PANELS TO EXTEND TO EAVE HEIGHT.

STEP # 4 INSTALL LINER PANELS

(SEE LILP-LR-2 FOR FURTHER DETAILS).

- INSTALL K1313 3½", R13 UN-FACED FIBERGLASS INSULATION (OPTIONAL) IN ALL PANELS, SPACERS, AND FRAMED OPENING JAMBS AND HEADS AS REQUIRED.

CAUTION: HANDLE PANELS BY THE EDGE TO PREVENT CRIMPING OF PANEL FACE. CHECK FOR BENT PANEL FLANGES. A BENT FLANGE CAN CAUSE AN OFFSET AT JOINTS.

- INSTALL LINER PANELS FROM LEFT TO RIGHT STARTING AT THE RIGHT OF A DOOR OPENING.



RIGHT

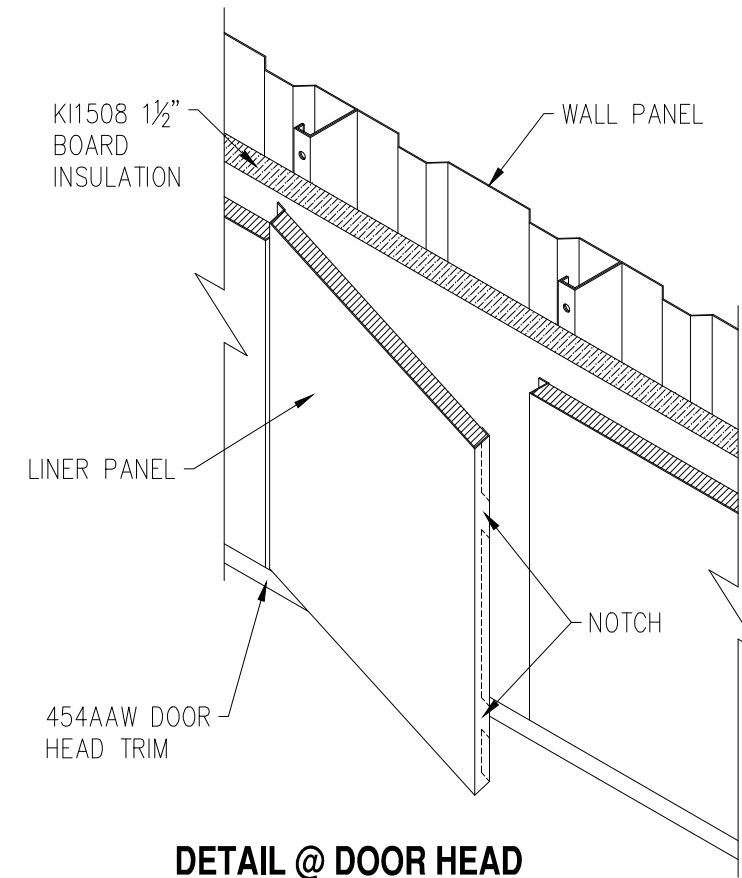


WRONG

- INSTALL LAST PANEL (DOOR HEAD PANEL) BY NOTCHING PANEL FLANGE APPROXIMATELY ½" BELOW CLIP LOCATION. RAISE THE PANEL SO THAT THE NOTCH IS AT CLIP AND SLIDE INTO PLACE. (SEE DETAIL AT DOOR HEAD)

NOTE: IN ORDER TO MAKE REMOVAL OF A DAMAGED PANEL MUCH EASIER, THE ERECTOR MAY WANT TO INSTALL SEVERAL OF THESE NOTCHED PANELS THROUGHOUT THE BUILDING. LOCATION OF THESE NOTCHED PANELS CAN BE MARKED AT A SPOT COVERED BY THE BASE TRIM.

- BE SURE EACH LINER PANEL IS COMPLETELY IN PLACE BEFORE INSTALLING THE NEXT LINER PANEL. IT IS VERY DIFFICULT TO CLOSE A JOINT AFTER MORE PANELS ARE IN PLACE.



STEP # 5 INSTALL LINER TRIM

- ACCESSORY FILLER PANELS AND CERTAIN TRIMS MUST BE INSTALLED AS LINER PANELS ARE ERECTED. REFER TO ACCESSORY TRIM DRAWING AS EACH OPENING IS REACHED.
- WHEN ATTACHING BASE AND CEILING TRIM TO LINER PANEL, DRILL OR PUNCH A ⅛"Ø HOLE IN PANEL TO AVOID STRIPPING OF SCREWS.

NOTE: LINER PANELS THAT ARE 16" OR TALLER ARE FACTORY CUT. LINER PANELS SHORTER THAN 16" MUST BE FIELD CUT FROM FULL LENGTH LINER PANELS.

| REVISIONS | BY |
|-----------|-----|
| 12-21-10 | TLC |
| | |
| | |
| | |
| | |
| | |

PARKLINE, INC
P O Box 65 Winfield, WV 25213
phone: (304) 586-2113

JOB DESCRIPTION
**LOCK-IN LINER PLUS SYSTEM
INSTALLATION INSTRUCTIONS**

SHEET TITLE
SECTIONS AND DETAILS

| | |
|-----------|----------|
| DATE | 12-06-10 |
| DRAWN BY | RAP |
| SCALE | N.T.S. |
| ORDER NO. | |
| REVISION | 1 |

LILP-LR-1