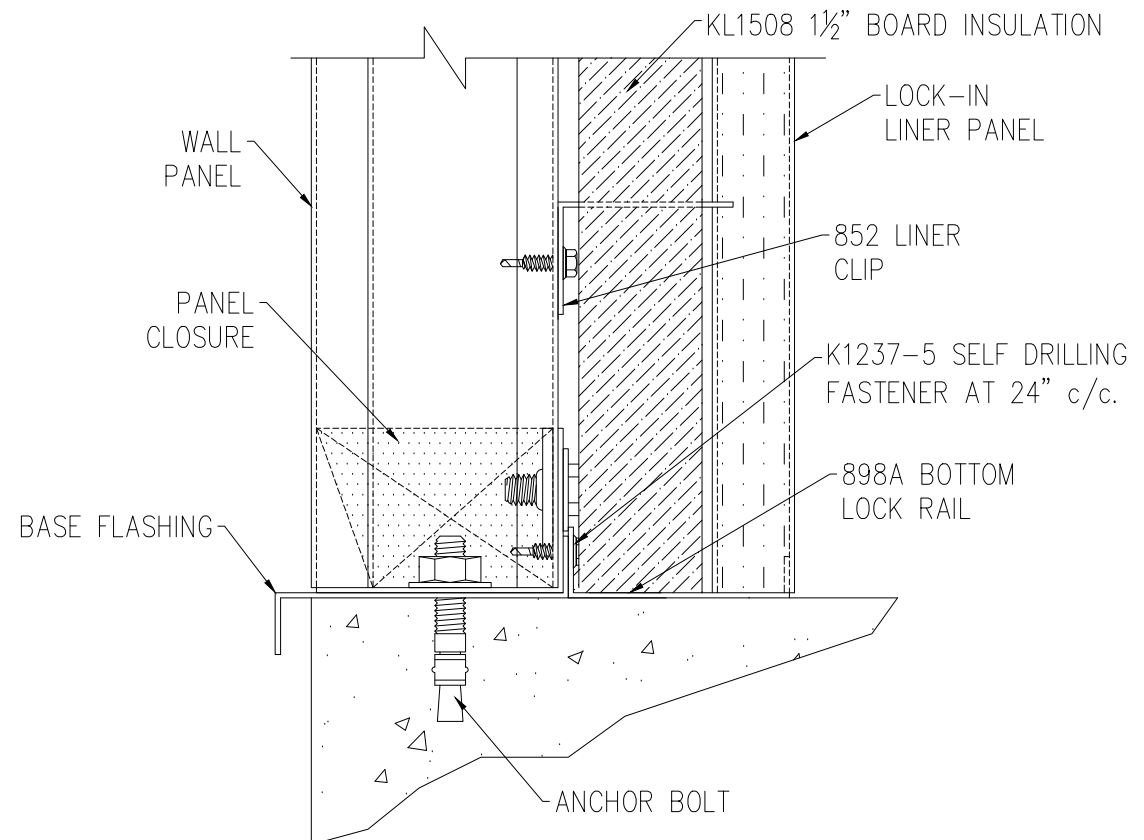


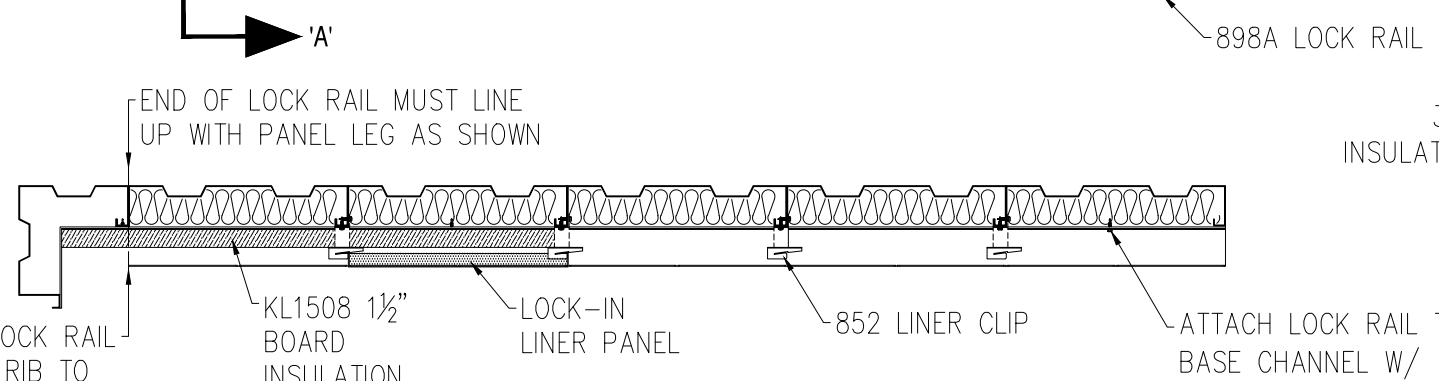
**STEP # 4 INSTALL LINER PANELS**

1. INSTALL 876 SUPPORT, 1192 TOP TRIM AND CEILING AT CEILING HEIGHT SHOWN ON YOUR ELEVATION DRAWING.
2. INSTALL BOTTOM LOCK RAIL AS SHOWN.
3. INSTALL KL1508 BOARD INSULATION PER DRAWING# LILP-LR-1, STEP# 3.
4. TO INSTALL LINER PANEL, HOLD PANEL ABOVE LOCK RAIL AND BEHIND TOP TRIM. SLIP INTO CLIPS AND SLIDE PANEL DOWN INTO LOCK RAIL. CONTINUE AROUND BUILDING UNTIL ALL PANELS ARE INSTALLED. (SEE STEP 3 ON LIL-1 FOR INSTALLATION OF LAST PANEL.

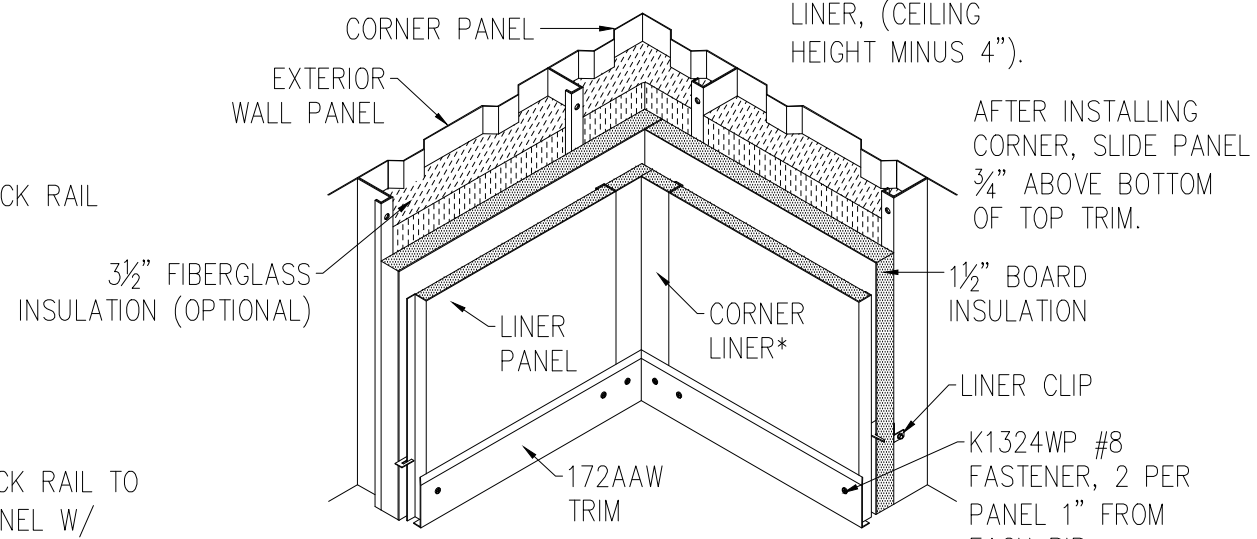


**SECTION - 'A'**

\*FIELD CUT CORNER LINER, (CEILING HEIGHT MINUS 4").

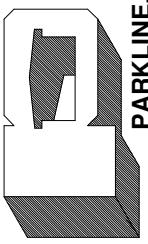


**PANEL INSTALLATION DETAIL**



**CORNER DETAIL AT BOTTOM (TOP SIMILAR)**

REVISIONS	BY
12-21-10	TLC
01-17-11	RAP
03-10-11	RAP



**PARKLINE, INC**  
P O Box 65 Winfield, WV 25213  
phone: (304) 586-2113

**LOCK-IN LINER PLUS SYSTEM  
INSTALLATION INSTRUCTIONS**

JOB DESCRIPTION

SHEET TITLE

**SECTIONS AND DETAILS**

DATE	12-06-10
DRAWN BY	RAP
SCALE	N.T.S.
ORDER NO.	
REVISION	3

**LILP-LR-2**