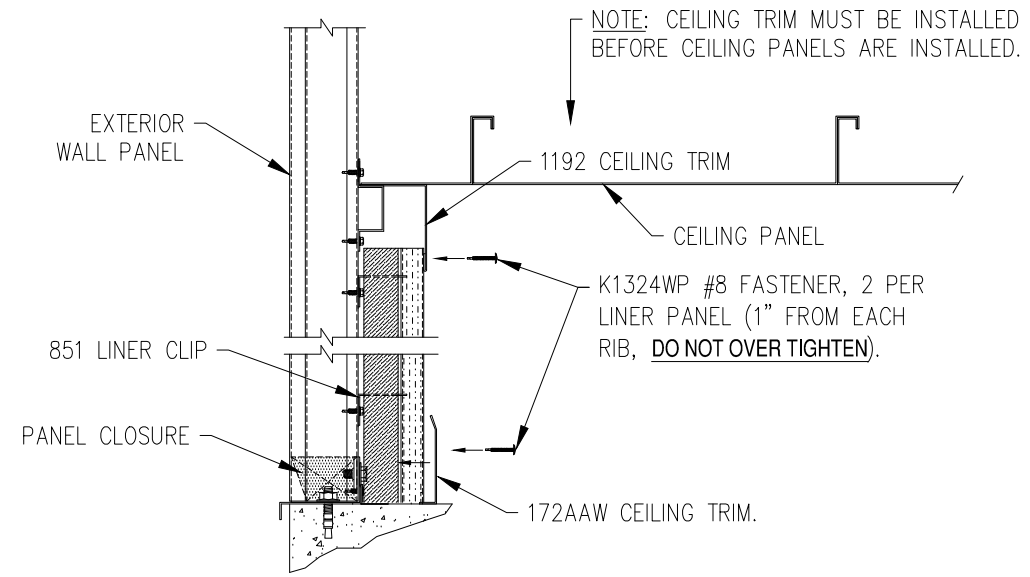


**SIDEWALL SECTION**

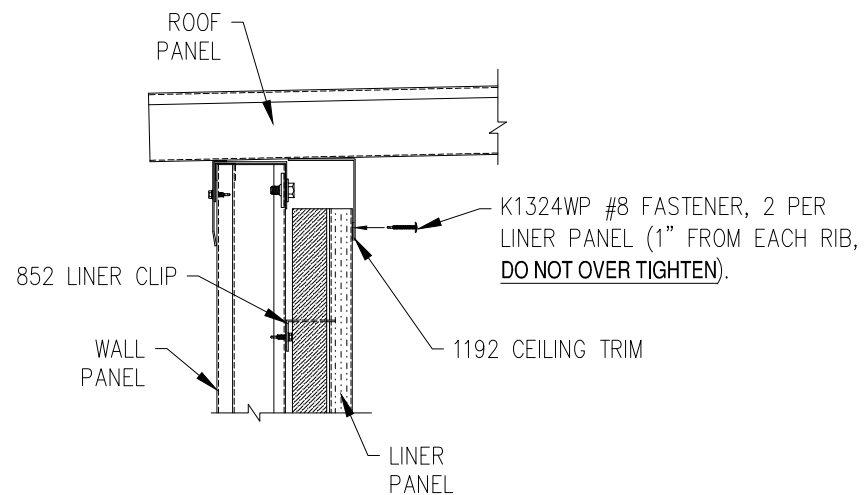
TYPE 'AL' AND 'S' BUILDINGS WITH CEILING

- NOTES:**
1. CORNER LINER, 8" AND 4" WIDE LINER PANELS ARE PROVIDED IN STANDARD LENGTHS. FIELD CUTTING MAY BE REQUIRED.
  2. LINER PANELS LESS THAN 16" IN LENGTH MUST BE FIELD CUT FROM FULL LENGTH LINER PANELS.



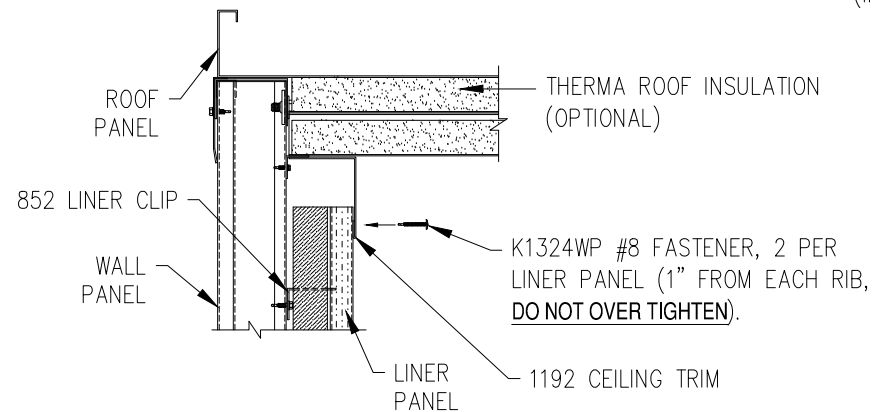
**ENDWALL SECTION**

TYPE 'AL' AND 'S' BUILDINGS WITH CEILING



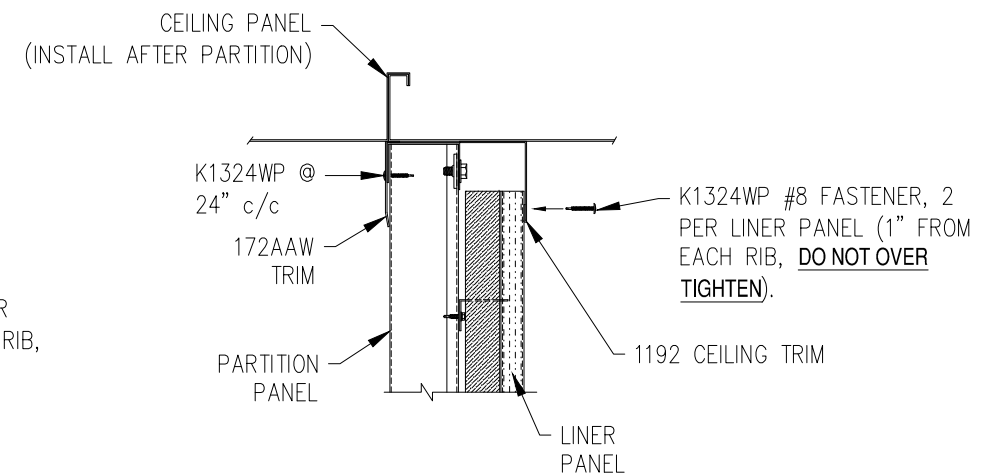
**SIDEWALL SECTION**

TYPE 'S' BUILDINGS WITHOUT CEILING. (LOW SIDEWALL SECTION SHOWN) ENDWALLS AND HIGH SIDEWALL USE 180AAW LINER TRIM. (SEE TRIM DETAIL AT RIGHT).



**TRIM DETAIL**

TYPE 'S' BUILDINGS WITHOUT CEILING. TYPICAL AT ENDWALLS AND HIGH SIDEWALL. (ENDWALL SECTION SHOWN) SHOWN WITH OPTIONAL THERMA ROOF INSULATION.



**PARTITION SECTION**

TYPE 'S' AND 'AL' BUILDINGS WITH CEILING SHOWN. WITHOUT CEILING, PARTITION EXTENDS TO UNDERSIDE OF ROOF ON TYPE 'S' BUILDINGS AND TO EAVE HEIGHT ON TYPE 'AL' BUILDINGS. (NOTE: CEILING TRIM IS OPTIONAL ON 'AL' BUILDINGS WITHOUT CEILING).

REVISIONS	BY
01-17-11	RAP
01-26-11	RAP
03-10-11	RAP
05-21-12	TLC

**PARKLINE, INC**  
P O Box 65 Winfield, WV 25213  
phone: (304) 586-2113

JOB DESCRIPTION  
**LOCK-IN LINER PLUS SYSTEM  
INSTALLATION INSTRUCTIONS**

SHEET TITLE  
**SECTIONS AND DETAILS**

DATE	12-06-10
DRAWN BY	RAP
SCALE	N.T.S.
ORDER NO.	
REVISION	<b>4</b>

LILP-LR-3