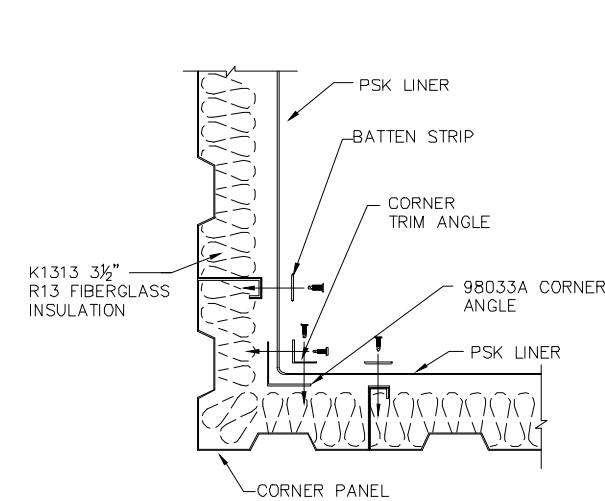
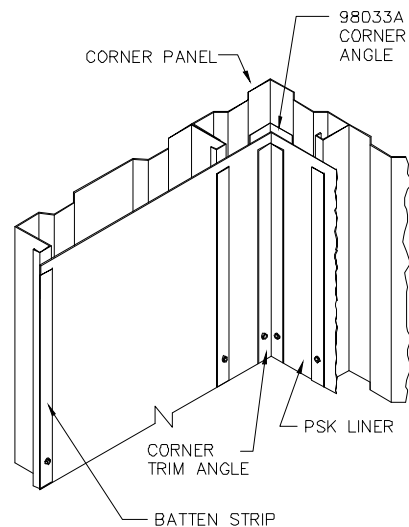


TYPE 'S' BUILDING SHOWN

TYPE 'AL' SAME, EXCEPT ATTACH TOP BATTEN STRIP TO EACH WALL RIB UNDER EAVE CAP AND ENDWALL GIRT OR CEILING IF USED WITH K1238AW #12 WHITE FASTENERS.



CORNER DETAIL

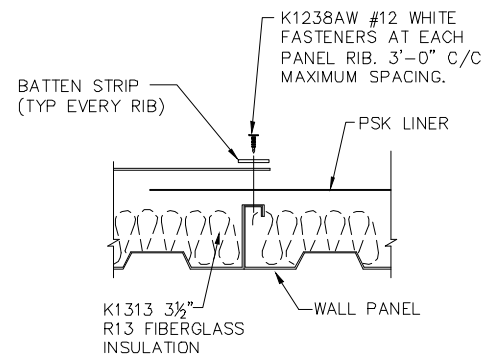


INSTALLATION

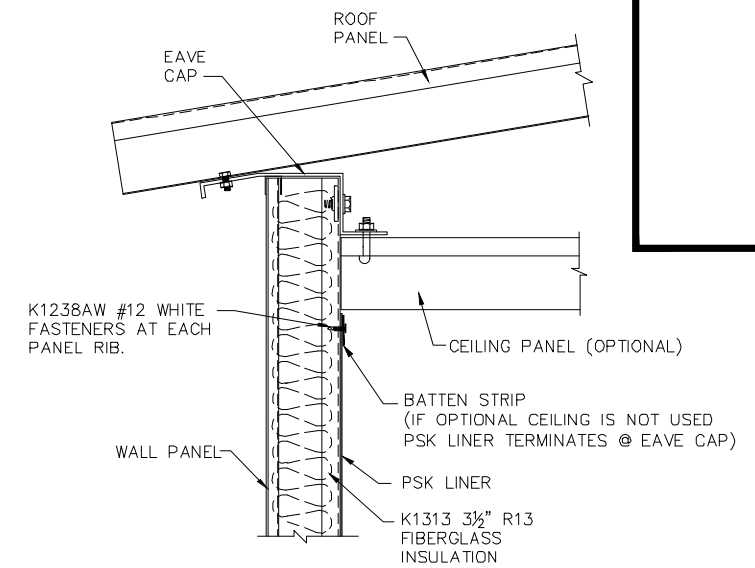
- NOTES:** FOLLOWING ARE THE PART NUMBERS FOR THE VARIOUS COMPONENTS SHOWN ON THIS INSTALLATION DRAWING.
- # KWMP-50 PSK WALL LINER, 54" WIDTH
 - # KNV-25B 1 1/2" WIDE WHITE VINYL BATTEN STRIP. 12'-0" IN LENGTH.
 - # KNV-123A/B 1 1/2" WIDE WHITE VINYL CORNER STRIP. A = 8'-0", B = 12'-0"
 - # DBLSIDETAPE DOUBLE SIDED TAPE, 180 L.F. ROLLS

PSK LINER SYSTEM CAN BE INSTALLED WITH THE PSK INSTALLED VERTICALLY, DRAWING #PSK-LINER-VERT, OR HORIZONTALLY, DRAWING #PSK-LINER-HORZ. COMPONENTS ARE PROVIDED FOR BOTH METHODS OF INSTALLATION. ERECTOR AND/OR CUSTOMER TO CHOOSE WHICH METHOD PRIOR TO INSTALLATION.

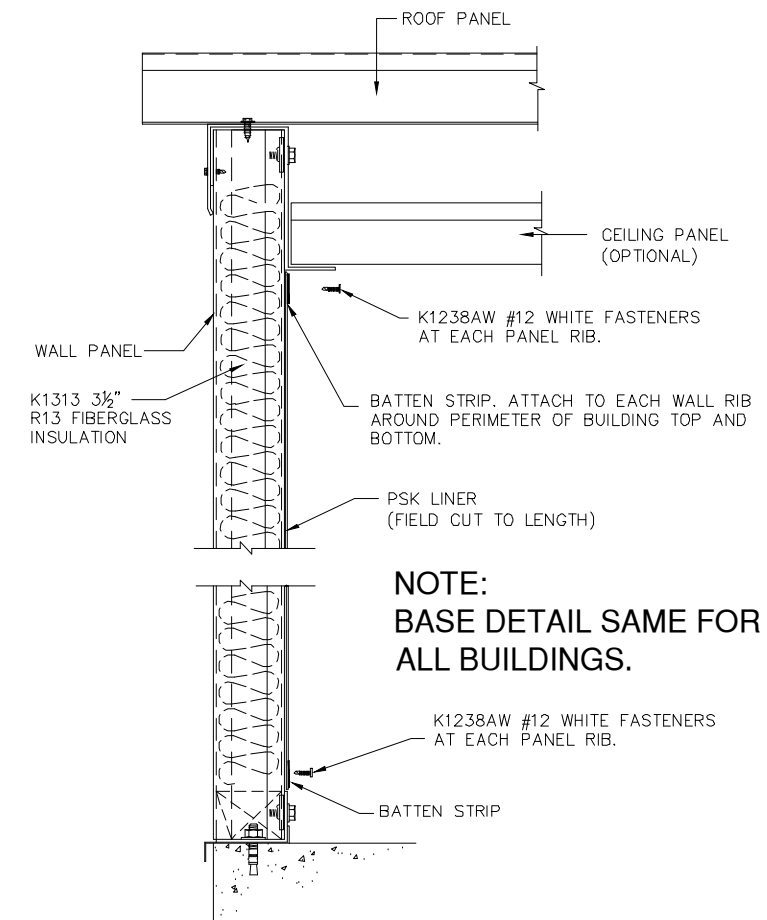
- STEP 1** INSULATE ALL WALL CAVITIES INCLUDING ANY FRAMED OPENING JAMBS AND HEADERS WITH K1313 3 1/2" R13 UNFACED FIBERGLASS INSULATION.
- STEP 2** INSTALL (1) 98033A 2" X 2" CORNER ANGLE IN EACH CORNER. ANGLE LENGTH TO BE 1" SHORTER THAN EAVE HEIGHT. FIELD CUT IF REQUIRED. ATTACH TO BASE CHANNEL AND WALL CAP / EAVE CAP WITH (2) K1237-5 #12 FASTENERS AT TOP AND BOTTOM.
- STEP 3** APPLY SMALL SECTIONS (12" MAXIMUM) OF DOUBLE SIDED TAPE TO TOP, CENTER AND BOTTOM OF EACH WALL PANEL RIB. ADJUST SIZE AND LOCATIONS AS REQUIRED FOR HEAD AND SILL PANEL RIBS.
- STEP 4** CUT A SECTION OF PSK LINER TO REQUIRED LENGTH PLUS AN ADDITIONAL 2-3 INCHES. ATTACH PSK LINER TO WALL PANEL RIBS WITH DOUBLE SIDED TAPE STARTING AT THE BOTTOM AND WORKING THE SHEET UPWARD SMOOTHING OUT AS YOU GO. EXCESS MATERIAL CAN BE LEFT AT BOTTOM AND TOP AND WILL BE TRIMMED LATER.
- STEP 5** BATTEN STRIPS ARE PROVIDED FOR EACH WALL PANEL RIB, AROUND ALL WALL OPENINGS AND TOP AND BOTTOM PERIMETER OF INTERIOR WALLS. IF TOP AND BOTTOM BATTEN STRIPS ARE USED THEN STRIPS FOR WALL PANEL RIBS MUST BE CUT TO FIT BETWEEN TOP AND BOTTOM STRIPS. ALL BATTEN STRIPS ARE TO BE FIELD CUT OR SPLICED AS REQUIRED. WALL PANEL RIB BATTEN STRIPS CAN BE INSTALLED AS EACH SHEET OF PSK LINER IS INSTALLED. ATTACH BATTEN STRIPS WITH K1238AW #12 FASTENERS AS SHOWN ON DETAILS. (3'-0" C/C. MAXIMUM SPACING).
- STEP 6** REPEAT STEPS 4 AND 5 FOR EACH SHEET OF PSK LINER. MAKE SURE THAT THE EDGE OF NEXT SHEET ALIGNS AT A WALL PANEL RIB SO THE LAP WILL BE COVERED WITH A BATTEN STRIP AS SHOWN IN TYPICAL LINER LAP DETAIL.
- STEP 7** AT EACH CORNER INSTALL CORNER TRIM WITH K1238AW #12 WHITE FASTENER AS SHOWN IN CORNER DETAIL.
- STEP 8** AT ANY WALL OPENINGS, CUT PSK LINER TO EDGE OF OPENING AND TRIM OUT WITH BATTEN STRIPS. FIELD CUT BATTEN STRIPS AS REQUIRED AND ATTACH WITH K1238AW #12 WHITE FASTENERS.
- STEP 9** IF BATTEN STRIPS ARE BEING USED AT TOP AND BOTTOM, INSTALL AS SHOWN IN DETAILS AND THEN TRIM OFF ANY EXCESS PSK LINER AS REQUIRED.



TYPICAL LINER LAP DETAIL



TYPICAL CROSS SECTION TYPE 'AL' BUILDING



NOTE:
BASE DETAIL SAME FOR ALL BUILDINGS.

TYPICAL CROSS SECTION TYPE 'S' BUILDING

REVISIONS	BY
1-29-08	BAS
12-3-08	BAS

PARKLINE, INC.
P O Box 65 Winfield, WV 25213
phone: (304) 566-2113

POLYPROPYLENE SKRIM KRAFT (PSK) WALL LINER / INSULATION SYSTEM
SHEET TITLE: **VERTICAL INSTALLATION DETAILS**

DATE	10-09-07
DRAWN BY	CBP
SCALE	NTS
ORDER NO.	
REVISION	2
DWG. NO.	PSK-LINER-VERT