

# FIXED LOUVERS

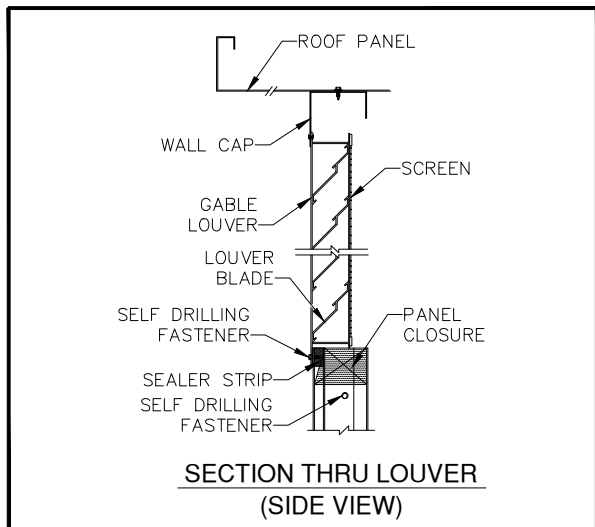
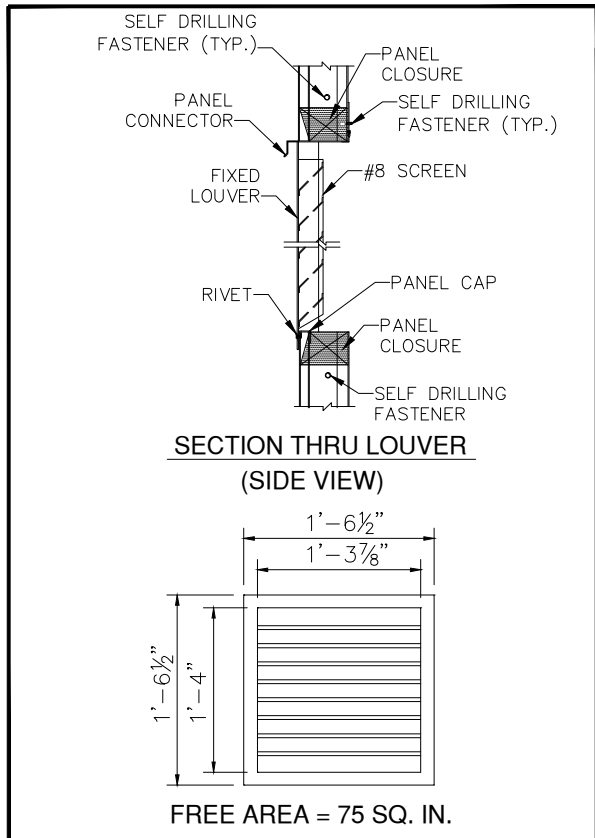
## PRODUCT DESCRIPTION

### FIXED LOUVER

Fixed louvers shall be fixed type with blades set on a 45 degree slope. Blades and frames shall be nominal 14 gauge extruded aluminum with natural mill finish. Louver shall include #18-14 aluminum mesh insect screens.

Available size is 16" wide x 16" high.

Note: Designer must specify louver sill height. Minimum sill or head height is 6".



### GABLE LOUVER (Type AL buildings only)

Gable louvers shall be fixed type with blades set on a 45 degree slope. Blades and frames shall be nominal 14 gauge extruded aluminum with natural mill finish. Louver shall include #18-14 aluminum mesh insect screens.

BUILDING WIDTH	SIZE	FREE AREA
8'-0"	not available	
12' AND 20'	32"x 6"	37 SQ. IN.
16' AND 24'	16"x 10"	48 SQ. IN.
28'	32"x 12"	130 SQ. IN.
32'	48"x 12"	198 SQ. IN.

## PRODUCT NAME

Fixed Louvers

## MANUFACTURER

Parkline, Inc.  
 P.O. Box 65  
 Winfield, West Virginia 25213  
 Phone: (304) 586-2113 in WV  
 (800) 786-4855 outside WV  
 (304) 586-3842 FAX

web: <http://www.parkline.com>  
 E-mail: [parkline@parkline.com](mailto:parkline@parkline.com)

**PARKLINE, INC.**  
**13122FL**