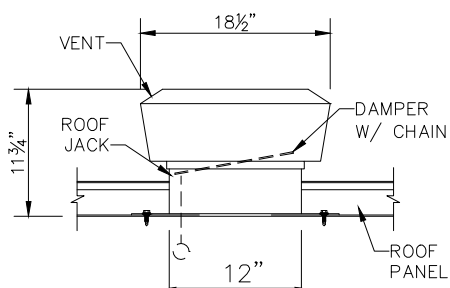


ROOF VENTILATORS

PRODUCT DESCRIPTION

CIRCULAR ROOF VENTILATOR

Stationary ventilator for 3" or 4" roof shall be gravity type with standard 12" diameter throat, fabricated from aluminum and shall be furnished complete with bird screen, operable disc type damper with chain, and base.



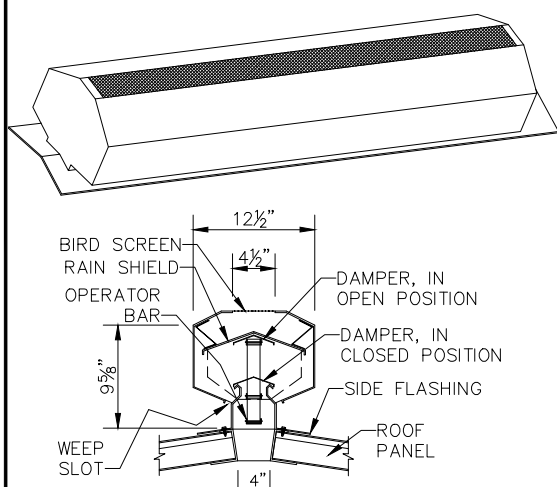
CIRCULAR ROOF VENTILATOR

VENT SIZE	TEMP. DIFF. °F	EXHAUST CAP. (CFM)	
		WIND VELOCITY	
		5 MPH	10 MPH
12"	0°	204	385
	10°	282	462
	20°	314	495

NOTE: Not available for 6" roof

RIDGE VENTILATOR (gable buildings only)

Ridge ventilator shall be of gravity type with 4" throat and chain operated vertical lift dampers. Ventilators shall be made of nominal 24 gauge steel, factory painted white on all visible exterior galvanized surfaces. Top of the ventilator shall have a bird screen cover.



RIDGE VENTILATOR

PRODUCT NAME

Roof Ventilators

MANUFACTURER

Parkline, Inc.
 P.O. Box 65
 Winfield, West Virginia 25213
 Phone: (304) 586-2113 in WV
 (800) 786-4855 outside WV
 (304) 586-3842 FAX

web: <http://www.parkline.com>
 E-mail: parkline@parkline.com

CFM CAPACITIES
 WITH 4 MPH WIND
 AND 10' BUILDING
 HEIGHT

TEMP. DIFF. °F	EXHAUST CAPACITY (CFM)	
	4" THROAT x 4'-0"	4" THROAT x 10'-0"
10°	370	930
20°	430	1080
30°	470	1190

 **PARKLINE, INC.**
13122RVF