

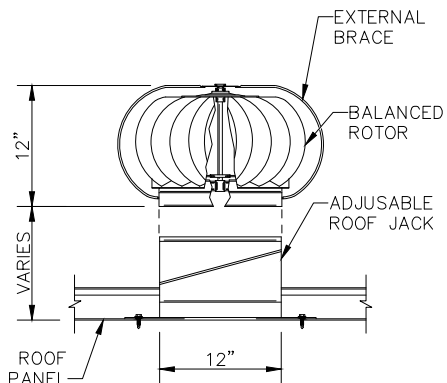
ROOF VENTILATORS

PRODUCT DESCRIPTION

TURBINE VENT

Turbine vent shall be wind driven rotary type gravity roof ventilator, with 8" or 12" diameter throat, fabricated from galvanized steel, externally braced.

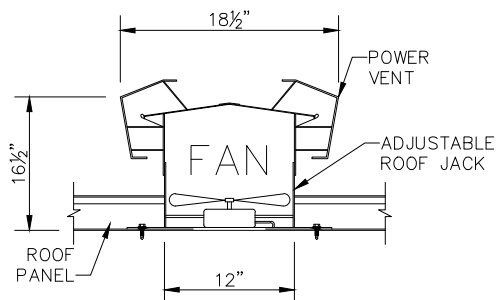
| VENT SIZE | TEMP. DIFF. °F | EXHAUST CAP. (CFM) @ WIND OF 5 MPH | ROOF |
|-----------|----------------|------------------------------------|---------|
| 12" | 20° | 580 | 3" & 4" |
| 8" | 20° | 255 | 6" |



TURBINE VENTILATOR

POWER ROOF EXHAUSTER

Aluminum power roof exhauster for 3" or 4" roof shall have a 12" diameter throat, capable of 280 CFM air movement at 1/8" static pressure and shall be equipped with U.L. listed adjustable thermostats. Power requirements of exhauster shall be .86 amps at 115 volts. An intake louver of 115 square inches minimum free air area shall be required for each exhauster.



POWER ROOF EXHAUSTER

NOTE: Not available for 6" roof.

PRODUCT NAME

Roof Ventilators

MANUFACTURER

Parkline, Inc.
 P.O. Box 65
 Winfield, West Virginia 25213
 Phone: (304) 586-2113 in WV
 (800) 786-4855 outside WV
 (304) 586-3842 FAX

web: <http://www.parkline.com>
 E-mail: parkline@parkline.com

 **PARKLINE, INC.**
13122RVM