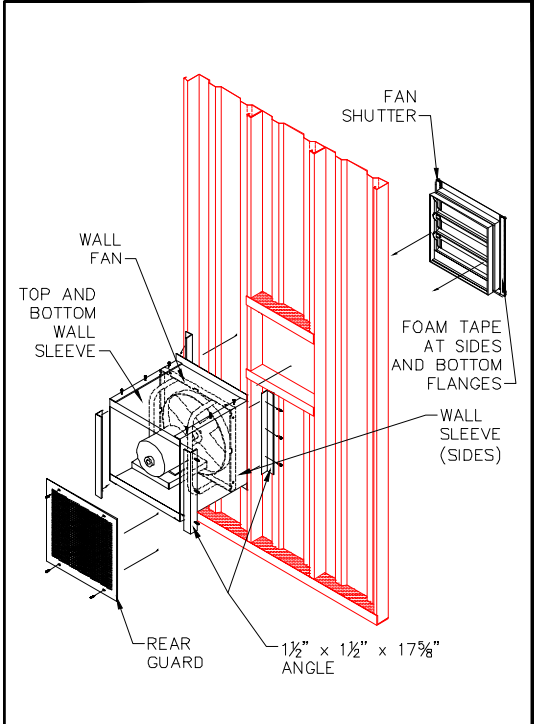


12" EXHAUST FAN

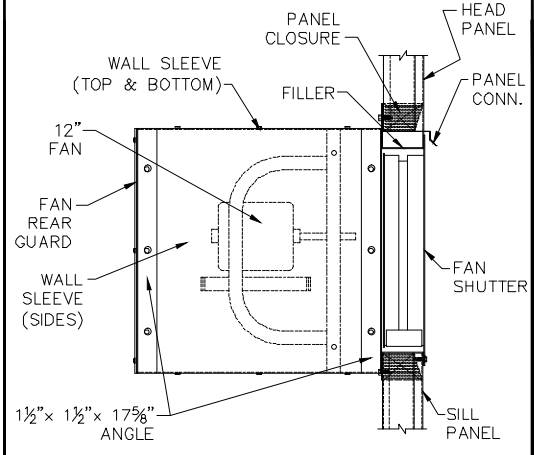
PRODUCT DESCRIPTION

EXHAUST FAN

The 12" Exhaust Fan is rated at 1481 CFM @ 0.125 SP and shall consist of wall shutter, fan assembly, wall sleeve and rear guard. Fan shall have a 115 / 1 / 60 volt, 1725 RPM explosion proof direct drive electric motor. Rear Guard shall conform to OSHA specifications.



INTERIOR VIEW



CROSS SECTION

- NOTES:**
1. - Refer to Floor Plan and Elevation Drawing for exact size and location of accessories.
 2. - Specify louver sill height. Minimum sill or head height is 6"