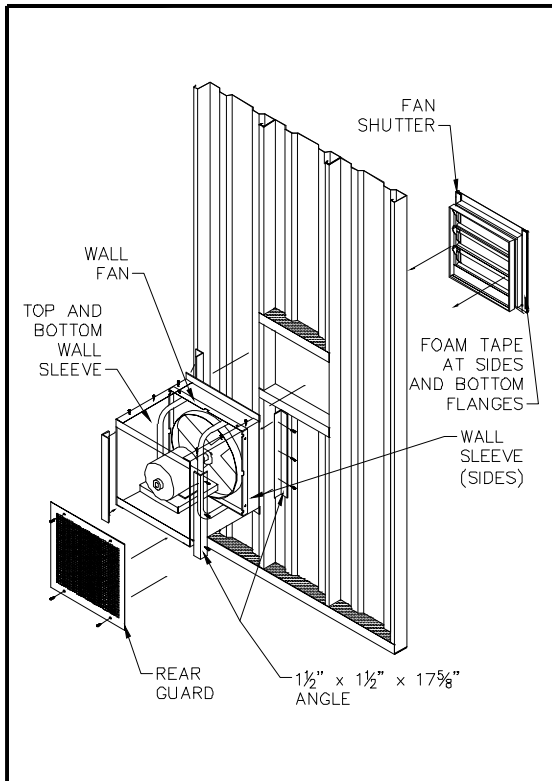


# 14" EXHAUST FAN

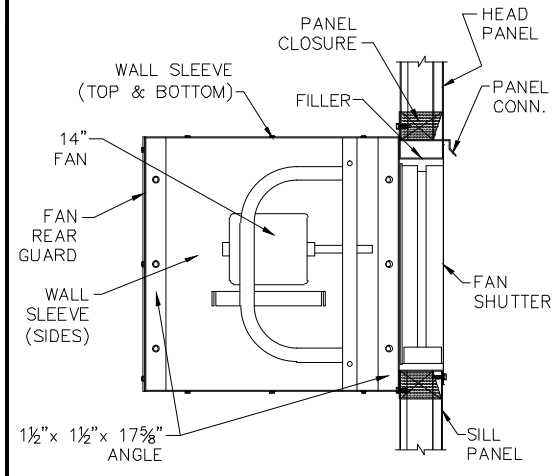
## PRODUCT DESCRIPTION

### EXHAUST FAN

The 14" Exhaust Fan is rated at 2273 CFM @ 0.125 SP and shall consist of wall shutter, fan assembly, wall sleeve and rear guard. Fan shall have a 115 / 1 / 60 volt, 1750 RPM direct drive electric motor. Rear Guard shall conform to OSHA specifications.



INTERIOR VIEW



CROSS SECTION

- NOTES:
1. - Refer to Floor Plan and Elevation Drawing for exact size and location of accessories.
  2. - Specify louver sill height. Minimum sill or head height is 6"