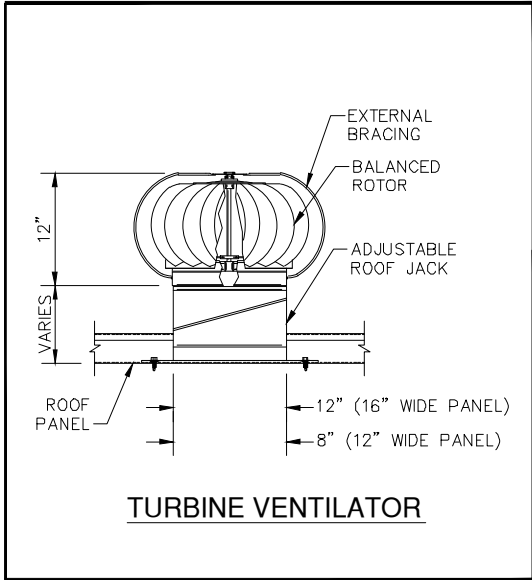


8" and 12" TURBINE ROOF VENTILATOR

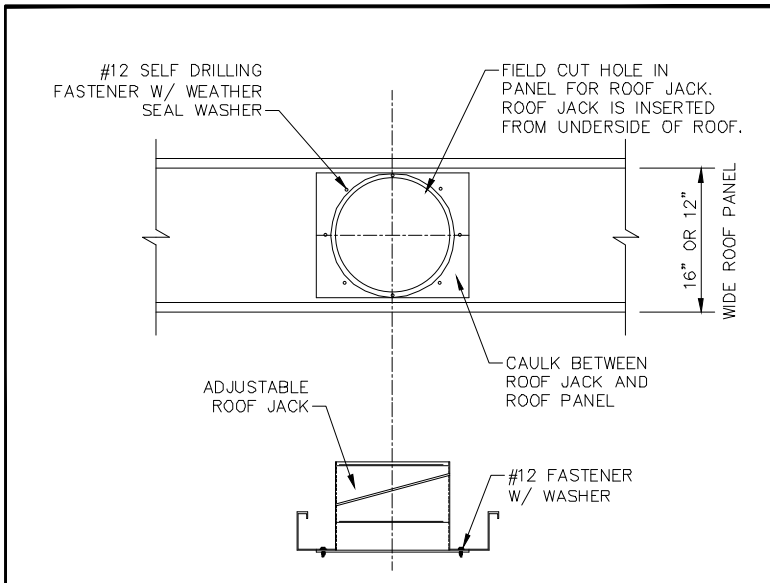


PRODUCT DESCRIPTION

TURBINE VENT

Turbine vent shall be wind driven rotary type gravity roof ventilator, with 8" or 12" diameter throat, fabricated from galvanized steel, externally braced.

VENT SIZE	TEMP. DIFF. °F	EXHAUST CAP. (CFM) @ WIND OF 5 MPH	ROOF PANEL
12"	20°	580	3" & 4" LEG x 16" WIDE
8"	20°	255	6" LEG x 12" WIDE



NOTE: Refer to Floor Plan and Elevation Drawing for exact size and location of accessories.