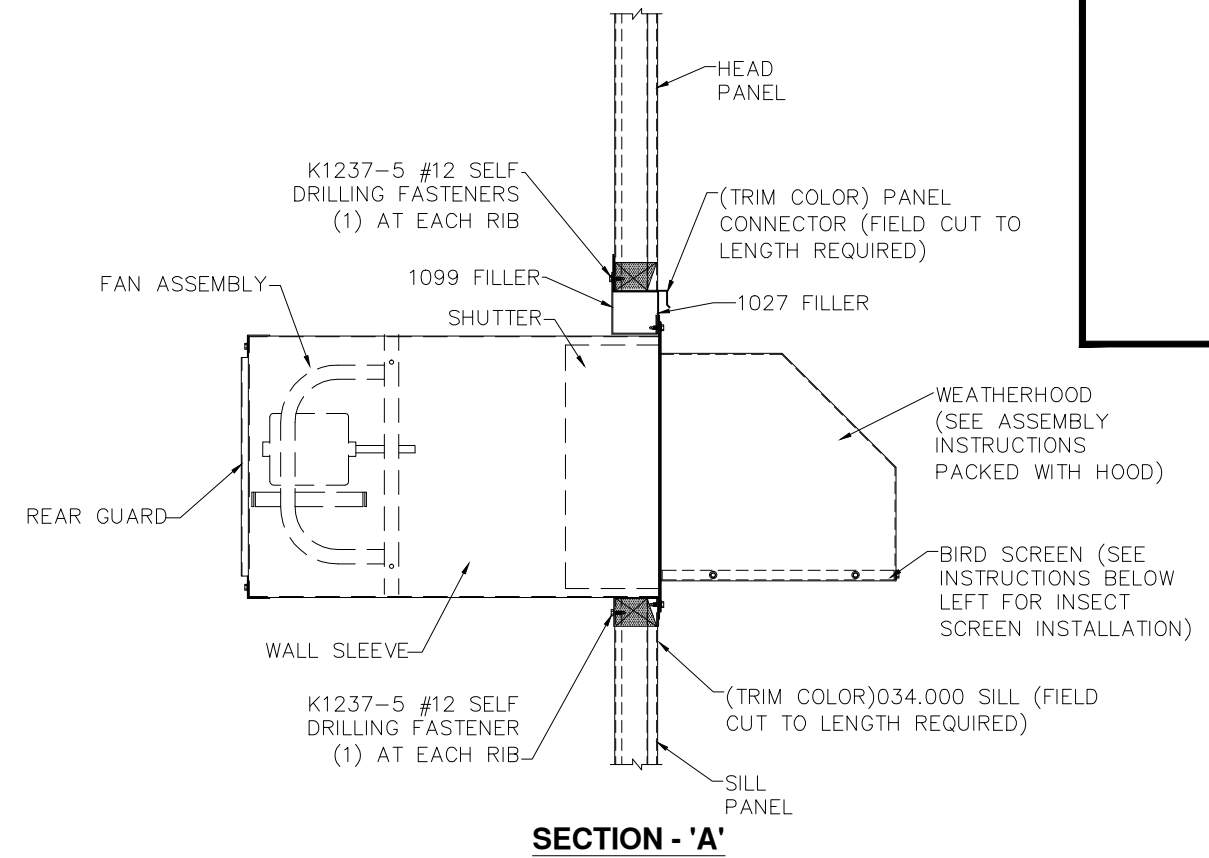


**ELEVATION
AS VIEWED
FROM EXTERIOR**

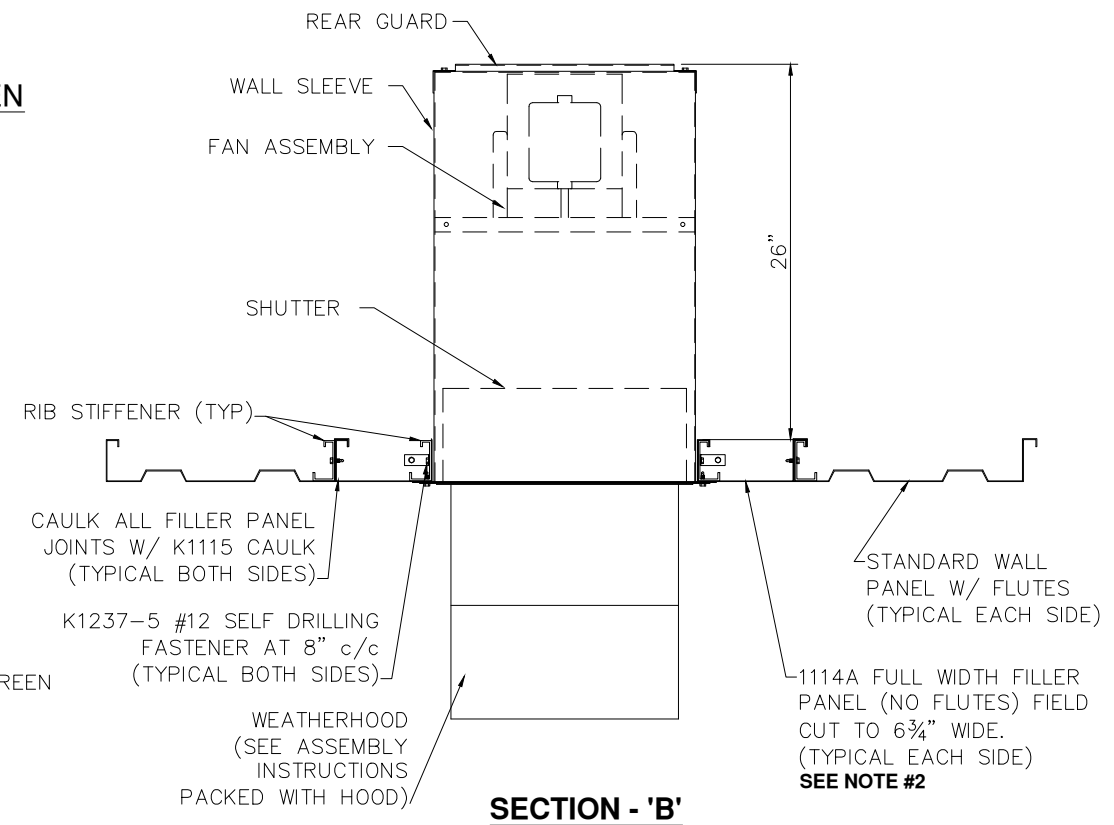
OPTIONAL WEATHERHOOD INSECT SCREEN

AN INSECT SCREEN HAS BEEN PROVIDED IN ADDITION TO THE BIRD SCREEN. (PART #24X100SCREEN)

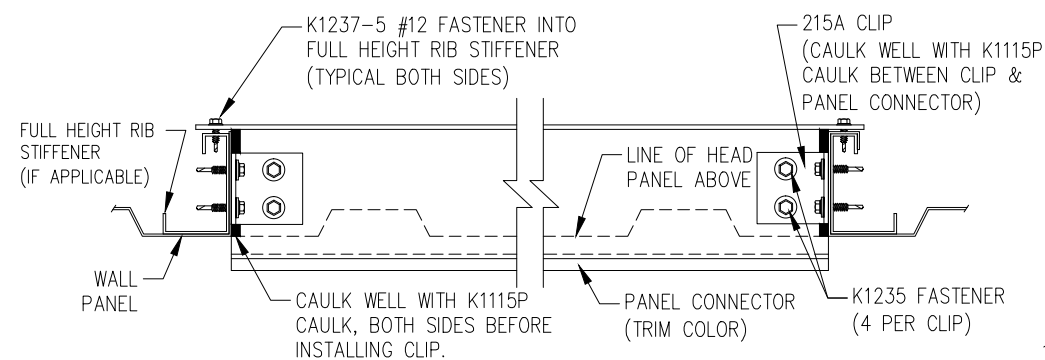
- 1.) - CUT INSECT SCREEN TO A 16" SQUARE.
- 2.) - CUT 3/4" NOTCHES AT ALL FOUR CORNERS.
- 3.) - WRAP INSECT SCREEN AROUND BIRD SCREEN FRAME, PLACE FRAME INSIDE WEATHERHOOD PER ASSEMBLY INSTRUCTIONS PROVIDED WITH THE WEATHERHOOD AND SCREW IN PLACE USING SIX (6) K1237-1 # 12 SELF DRILLING FASTENERS THROUGH WEATHERHOOD INTO BIRD SCREEN FRAME.



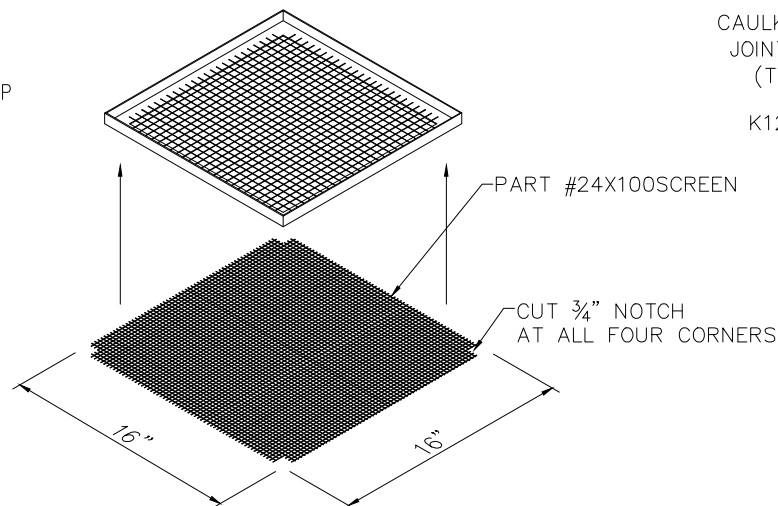
SECTION - 'A'



SECTION - 'B'



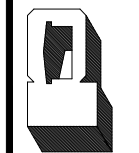
TYPICAL SECTION @ PANEL CONNECTOR



- NOTES:**
1. REFER TO DRAWING# **WOK & WOK-FIL-2** FOR BASIC WALL OPENING INSTALLATION DETAILS.
 2. DEPENDING ON ACTUAL LOCATION OF FAN UNIT IN A WALL, FILLER PANEL(S) SIZE MAY DIFFER.
 3. FINISHED OPENING SIZE WILL BE 18 1/2" X 20 1/2".

REVISIONS	BY
12-05-07	RAP
05-21-08	BAS
03-22-10	JMC
06-10-10	RAP
07-28-10	RAP
03-17-11	KRK
04-08-11	KRK
11-17-11	TLC
02-24-12	TLC

PARKLINE, INC.
 RT. 62, ELEANOR INDUSTRIAL PARK
 ELEANOR, WY 25070
 PHONE: 800-786-4855
 EMAIL: PARKLINE@PARKLINE.COM
 ENGINEER: TOM HARDING
 THARDING@PARKLINE.COM



JOB DESCRIPTION: **'12" GREENHECK' EXPLOSION PROOF EXHAUGHT FAN**

SHEET TITLE: **INSTALLATION DETAILS**

DATE	11-02-07
DRAWN BY	RAP
SCALE	NTS
ORDER NO.	
REVISION	9

FAN-12XP-1