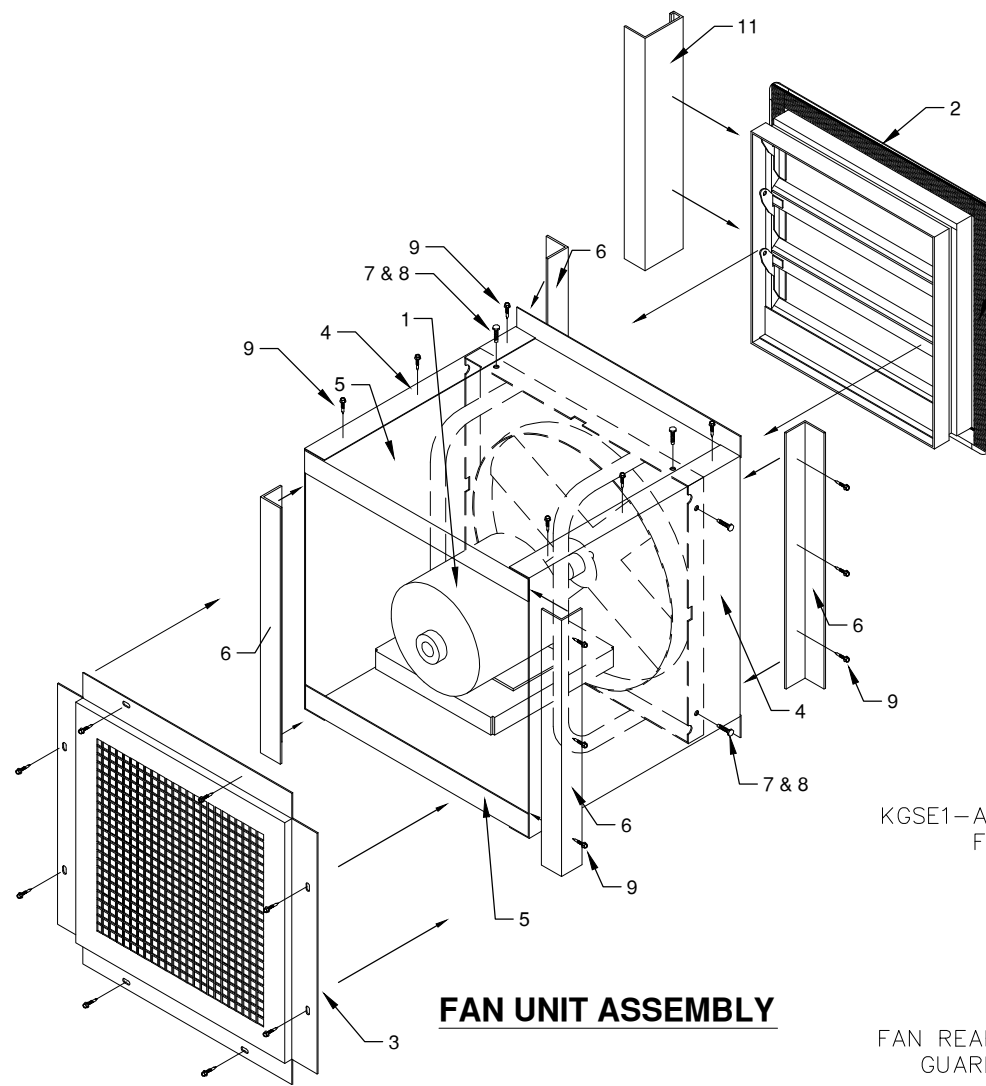


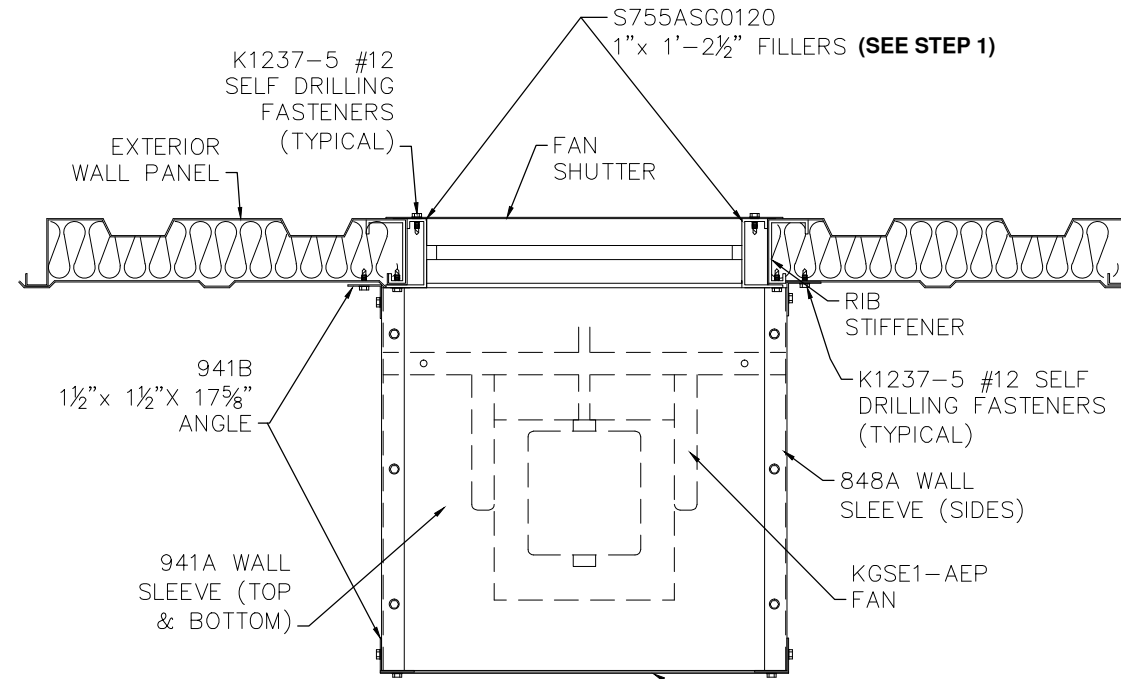
NOTE: THIS DRAWING IS FOR USE ON STANDARD SHELL GRAY AEP BUILDINGS ONLY.



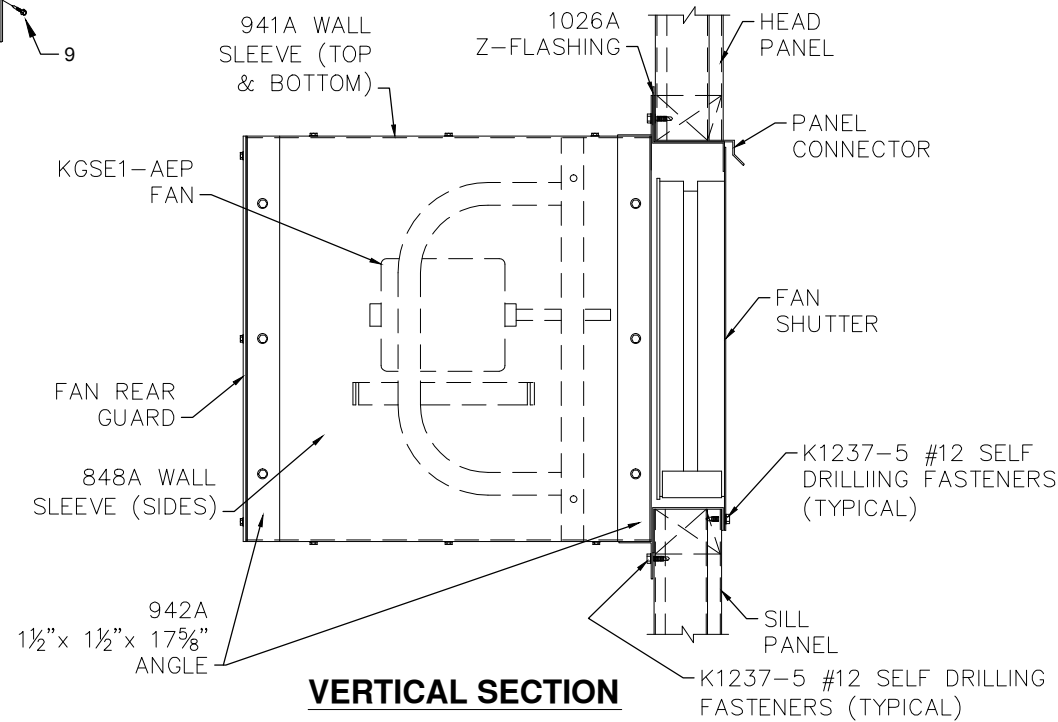
FAN UNIT ASSEMBLY

PARTS REQUIRED FOR ASSEMBLY

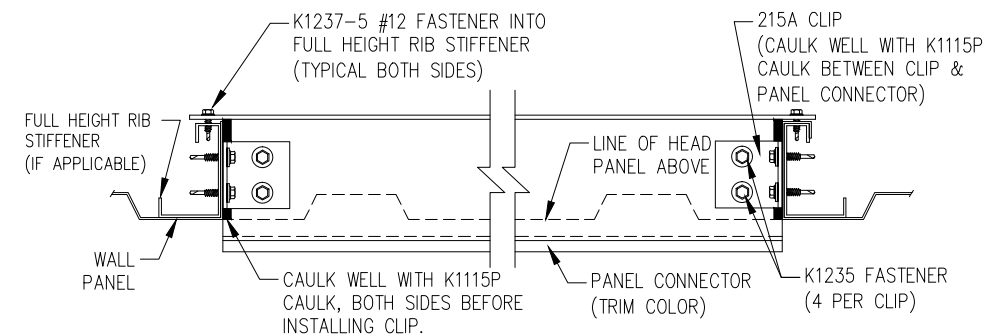
1. (1) KGSE1-AEP EXPLOSION PROOF EXHAUST FAN
2. (1) FAN SHUTTER (INCLUDED WITH KGSE1-AEP)
3. (1) REAR GUARD (INCLUDED WITH KGSE1-AEP)
4. (2) 848A WALL SLEEVE (SIDES)
5. (2) 941A WALL SLEEVE (TOP & BOTTOM)
6. (4) 942A 1 1/2" x 1 1/2" x 17 5/8" ANGLE
7. (8) K783CS42 S.S. MACHINE SCREW
8. (8) KHN14SS 1/4" S.S. NUT
9. (44) K1237-5 #12 SELF DRILLING FASTENER
10. (5') K1162R CLOSURE TAPE
11. (14) K1238SG #12 SHELL GRAY SELF DRILLING FASTENER
12. (1) 878XSG WEATHERHOOD NOT SHOWN- SEE STEP 5
13. (1) WHS12X17 HOOD SCREEN NOT SHOWN- SEE STEP 5



HORIZONTAL SECTION VIEWED FROM TOP



VERTICAL SECTION



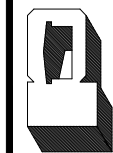
TYPICAL SECTION @ PANEL CONNECTOR

INSTALLATION STEPS:

1. - INSTALL WALL OPENING KIT PER DRAWING #WOK AND #WOK-FIL-1. THE FINISHED OPENING SIZE IS 14" x 14 1/2". INSTALL THE (2) S755A 1" WIDE FILLERS AS SHOWN.
2. - ASSEMBLE FAN UNIT AS SHOWN.
3. - ATTACH THE FAN UNIT ASSEMBLY TO THE INTERIOR SIDE OF THE WALL OPENING WITH K1237-5# 12 FASTENERS. USE (3) FASTENERS AT TOP AND BOTTOM FLANGE AND AT BOTH SIDE ANGLES (KEY #6). NOTE THAT IT MAY BE NECESSARY TO REMOVE FASTENERS AT THE PANEL CONNECTOR AND SILL CAP IF THEY INTERFERE WITH THE FAN UNIT ATTACHMENT.
4. - APPLY K1162R FOAM TAPE TO INSIDE OF SHUTTER FLANGES. INSTALL SHUTTER INTO WALL OPENING AND ATTACH WITH K1237-5 #12 FASTENERS, (3) EACH SIDE AND BOTTOM FLANGE. NOTE THAT TOP FLANGE TUCKS IN BEHIND PANEL CONNECTOR.
5. - EXHAUST FAN UNITS REQUIRE A WEATHERHOOD AND INSECT SCREEN TO BE INSTALLED OVER THE EXTERIOR SHUTTER. SEE DRAWING #FAN-HOOD-1 FOR INSTALLATION DETAILS.

REVISIONS	BY
12-07-07	BAS
06-30-10	RAP
07-23-10	RAP
08-26-11	KRK
02-24-12	TLC

PARKLINE, INC.
 RT. 62, ELEANOR INDUSTRIAL PARK
 ELEANOR, WY 25070
 EMAIL: PARKLINE@PARKLINE.COM
 PHONE: 800-786-4855
 FAX: 304-586-3842
 ENGINEER: TOM HARDING
 THARDING@PARKLINE.COM



JOB DESCRIPTION
EXPLOSION PROOF EXHAUST FAN FOR STANDARD SHELL GRAY COLOR AEP BUILDINGS
 SHEET TITLE
INSTALLATION DETAILS

DATE	11-14-07
DRAWN BY	RAP
SCALE	NTS
ORDER NO.	
REVISION	5

FAN-12XP