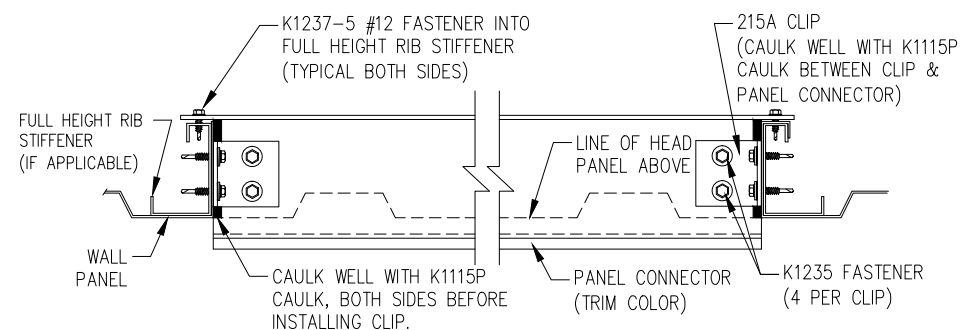


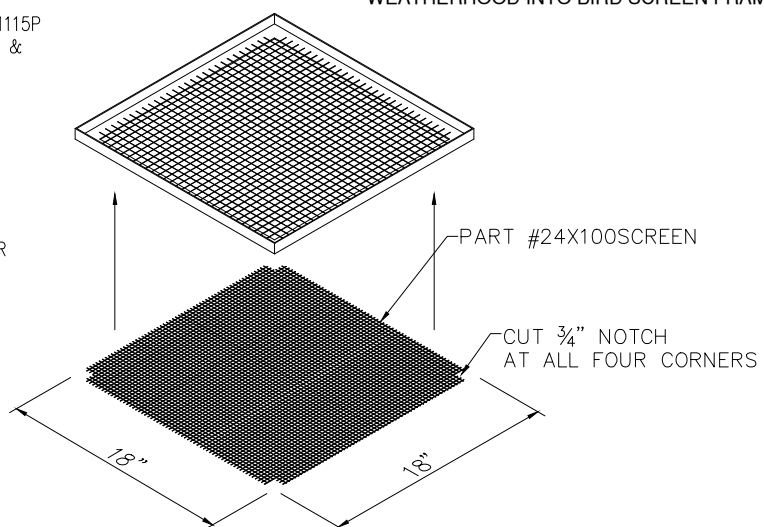
**ELEVATION
AS VIEWED
FROM EXTERIOR**

NOTES:

1. REFER TO DRAWING# **WOK & WOK-FIL-2** FOR BASIC WALL OPENING INSTALLATION DETAILS.
2. DEPENDING ON ACTUAL LOCATION OF FAN UNIT IN A WALL, THE FILLER PANEL(S) SIZE MAY DIFFER.
3. FINISHED OPENING SIZE WILL BE 20½" X 23½".



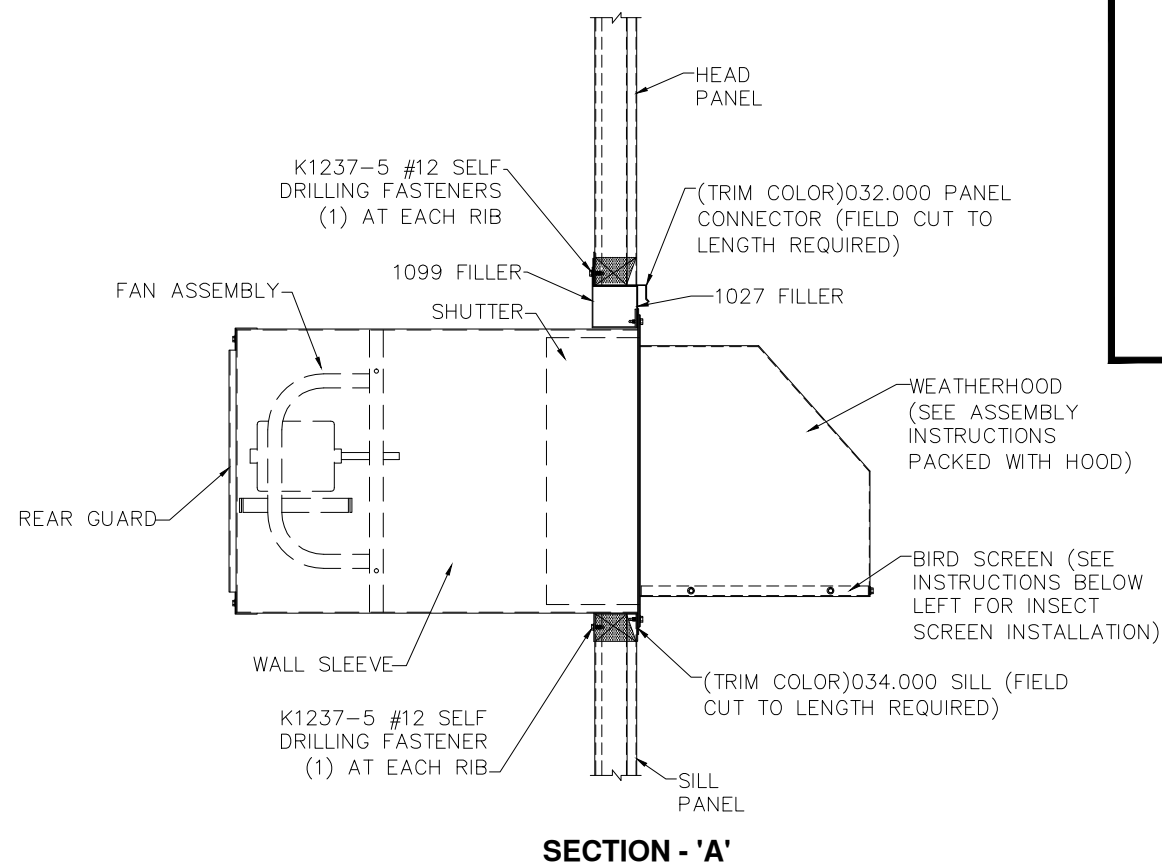
TYPICAL SECTION @ PANEL CONNECTOR



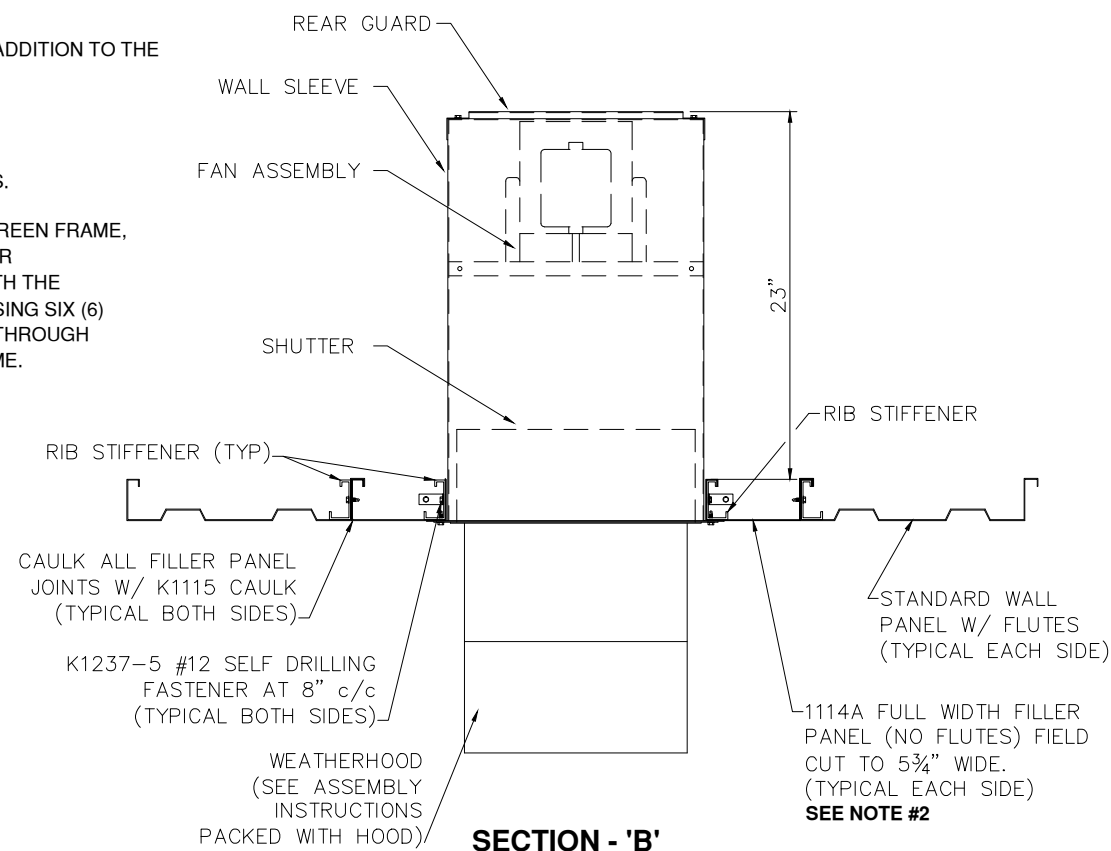
OPTIONAL WEATHERHOOD INSECT SCREEN

AN INSECT SCREEN HAS BEEN PROVIDED IN ADDITION TO THE BIRD SCREEN. (PART #24X100SCREEN)

- 1.) - CUT INSECT SCREEN TO A 18" SQUARE.
- 2.) - CUT ¾" NOTCHES AT ALL FOUR CORNERS.
- 3.) - WRAP INSECT SCREEN AROUND BIRD SCREEN FRAME, PLACE FRAME INSIDE WEATHERHOOD PER ASSEMBLY INSTRUCTIONS PROVIDED WITH THE WEATHERHOOD AND SCREW IN PLACE USING SIX (6) K1237-1 # 12 SELF DRILLING FASTENERS THROUGH WEATHERHOOD INTO BIRD SCREEN FRAME.



SECTION - 'A'



SECTION - 'B'

REVISIONS	BY
12-05-07	RAP
01-11-08	BAS
05-21-08	BAS
03-19-10	JMC
06-10-10	RAP
07-28-10	RAP
03-17-11	KRK
04-08-11	KRK
02-24-12	TLC

PARKLINE, INC.
 RT. 62, ELEANOR INDUSTRIAL PARK
 ELEANOR, WY 25070
 EMAIL: PARKLINE@PARKLINE.COM
 PHONE: 800-786-4855
 FAX: 304-586-3842
 ENGINEER: TOM HARDING
 THARDING@PARKLINE.COM



JOB DESCRIPTION
**14" GREENHECK'
 EXHAUST FAN**

SHEET TITLE
INSTALLATION DETAILS

DATE	11-02-07
DRAWN BY	RAP
SCALE	NTS
ORDER NO.	
REVISION	9

FAN-14-1