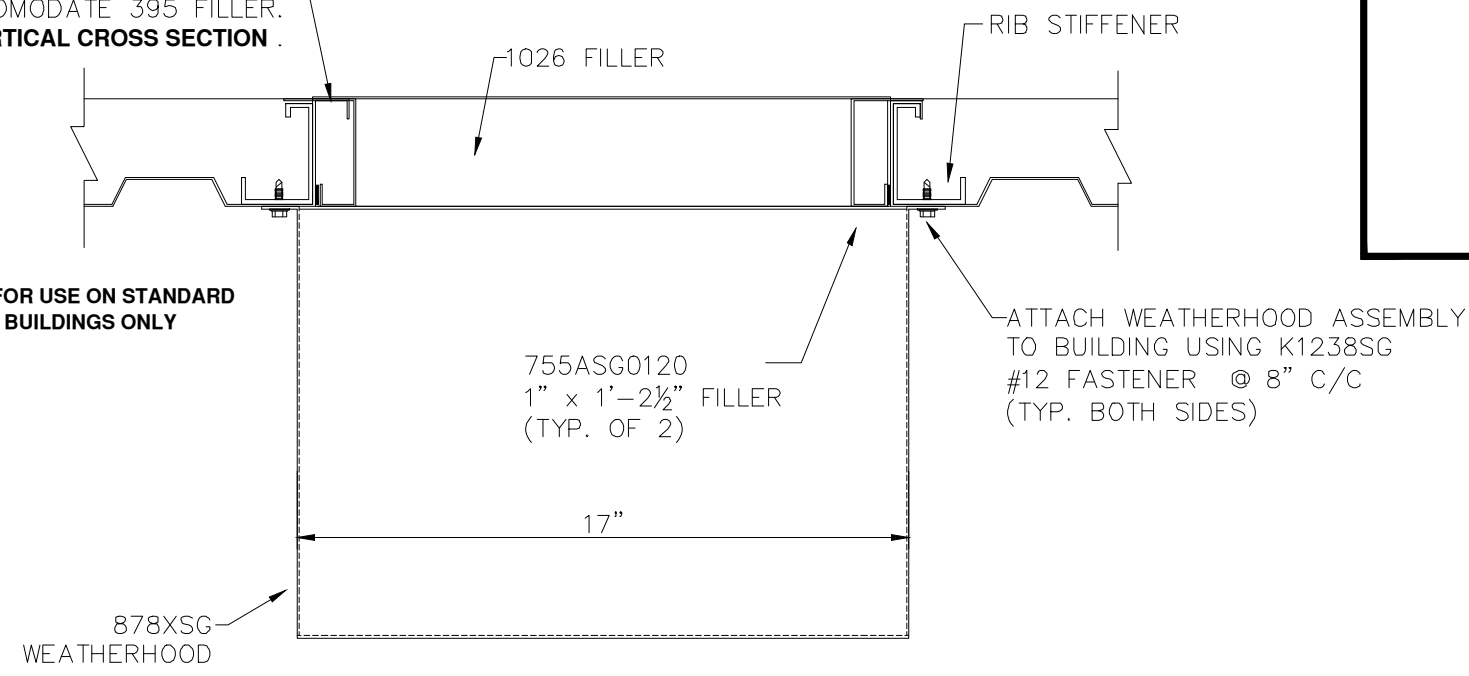


VERTICAL CROSS SECTION

FIELD NOTCH THIS RIB TO ACCOMODATE 395 FILLER. SEE **VERTICAL CROSS SECTION**.



HORIZONTAL CROSS SECTION

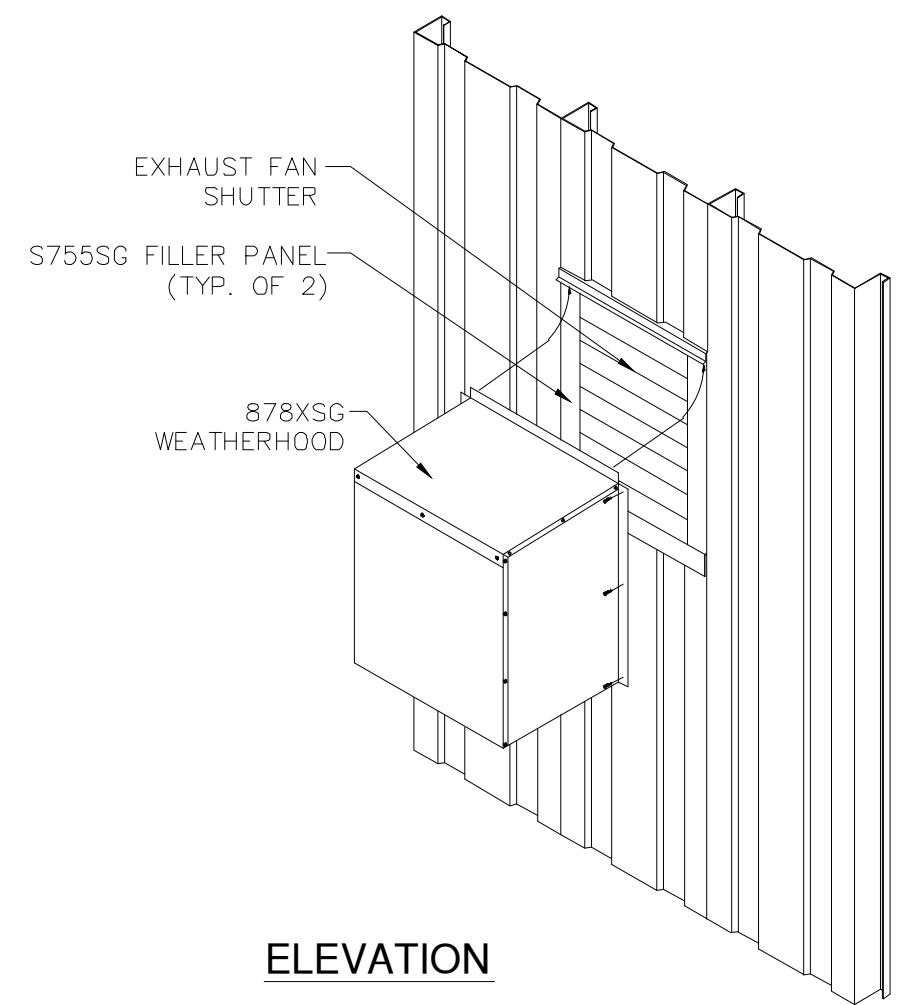
NOTE: THIS DRAWING IS FOR USE ON STANDARD SHELL GRAY COLOR AEP BUILDINGS ONLY

SCREEN INSTALLATION INSTRUCTIONS

- 1.) - INSTALL (2) K1238SG #12 FASTENERS (FASTENER 'A') AT EACH END 1/2" FROM BOTTOM OF HOOD.
- 2.) - INSTALL INSECT SCREEN AT AN ANGLE, DROP AND REST ON FASTENERS.
- 3.) - INSTALL (1) K1238SG #12 FASTENER (FASTENER 'B') AT EACH END 1" FROM BOTTOM OF HOOD.

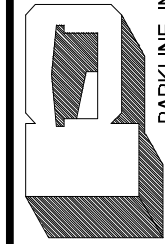
NOTES:

- 1.) - WALL OPENING / EXHAUST FAN SYSTEM TO BE INSTALLED PER DRAWINGS# WOK, WOK-FIL-1 AND FAN-12XP.
- 2.) - FAN UNIT NOT SHOWN IN THESE DETAILS FOR CLARITY.
- 3.) - WEATHERHOOD ASSEMBLY AND K1238SG # 12 FASTENERS WILL MATCH WALL COLOR UNLESS NOTED OTHERWISE.
- 4.) - K1115C CLEAR TUBE CAULK IS PROVIDED TO SEAL HOOD TO WALL OPENING.



ELEVATION

REVISIONS	BY
12-07-07	BAS
07-23-10	RAP



PARKLINE, INC.
 P O Box 65 Winfield, WV 25213
 phone: (304) 586-2113

JOB DESCRIPTION WEATHERHOOD WITH SCREEN FOR 12" "GREENHECK" EXPLOSION PROOF EXHAUST FAN FOR STANDARD SHELL GRAY COLOR AEP BUILDINGS	SHEET TITLE INSTALLATION DETAILS
	DATE 11-14-07
DRAWN BY CEM	SCALE N.T.S.
ORDER NO.	REVISION 2
DWG. NO.	FAN-HOOD-1