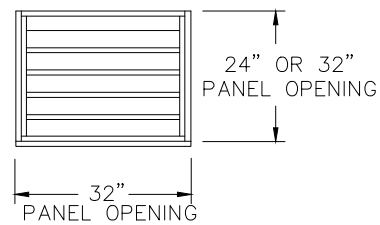
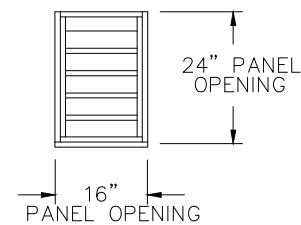


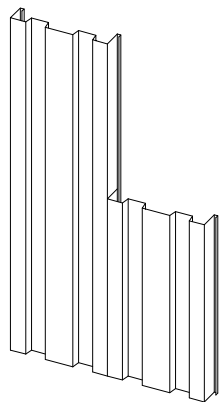
**KLA4842**



**KLA3224 & KLA3232-1**

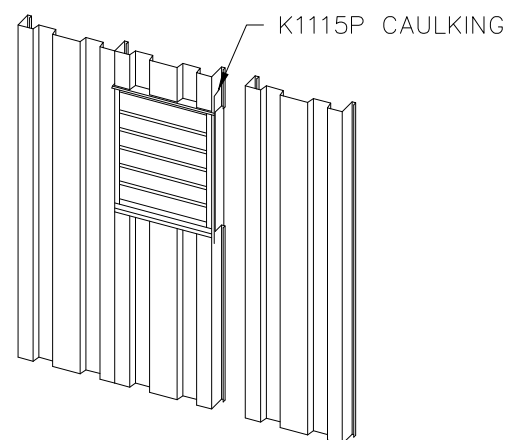


**KLA1624**



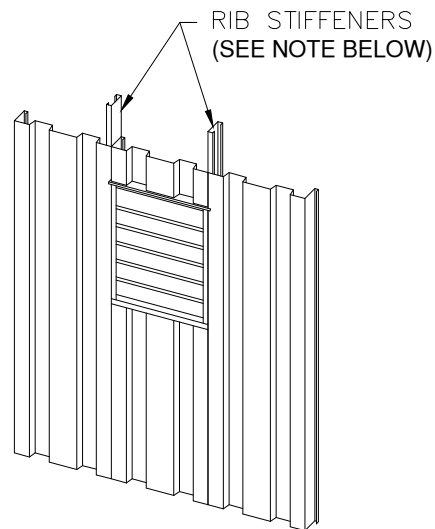
**STEP # 1**

WITH LEFT WALL PANEL IN PLACE, INSTALL SILL PANELS. (FIELD CUT HEAD AND SILL PANELS UNLESS OTHERWISE NOTED ON ERECTION DRAWINGS). INSTALL SILL CAP ON SILL PANELS. FIELD CUT LEFT WALL PANEL RIB AT LOUVER OPENING AS REQUIRED.



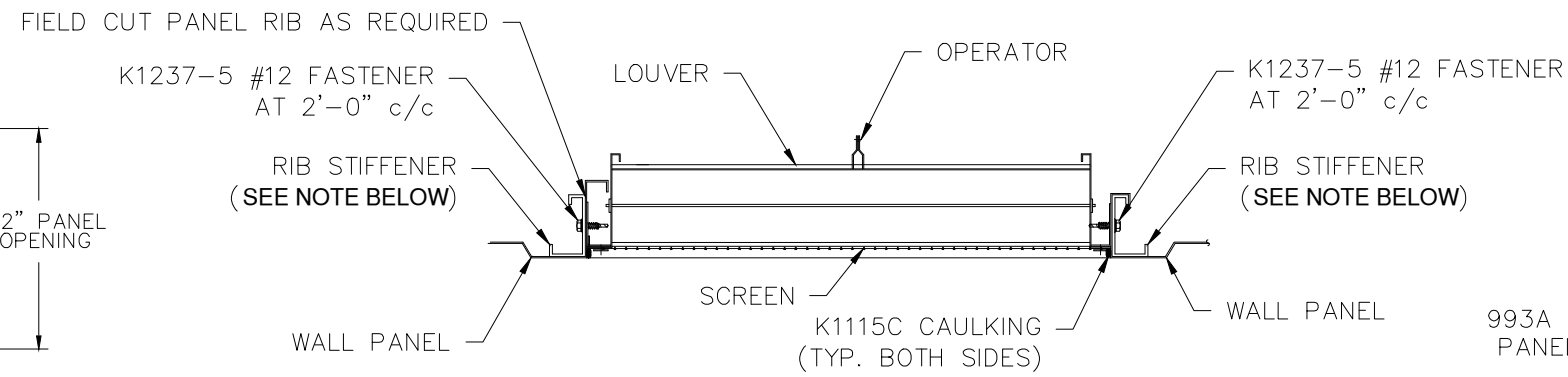
**STEP # 2**

CAULK SILL, JAMB AND TOP OF LOUVER. PLACE LOUVER IN WALL. POSITION PANEL CONNECTOR AND THEN INSTALL HEAD PANELS. SWEEP CAULK EACH HEAD PANEL AS SHOWN. CAULK PANEL RIB AS SHOWN ABOVE AND INSTALL NEXT WALL PANEL. FASTEN PANEL CONNECTOR TO HEAD PANEL RIBS W/ K1237-5 #12 FASTENER AT 16" c/c.

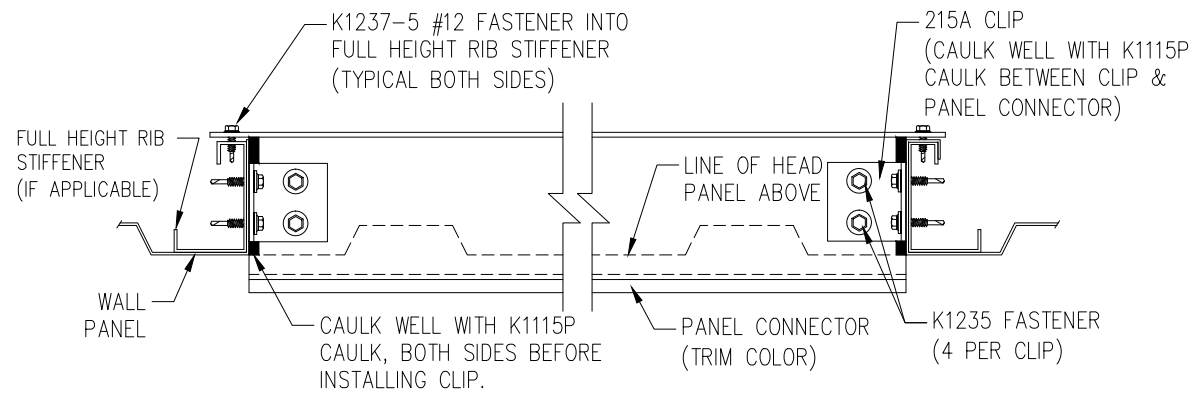


**STEP # 3**

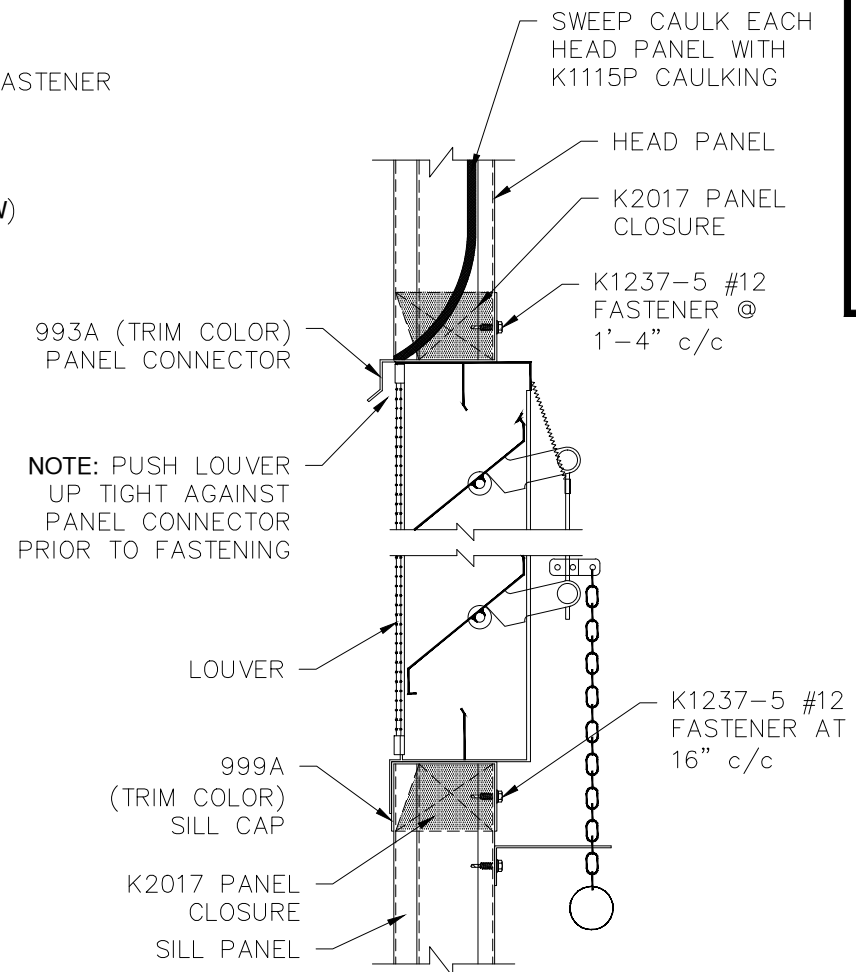
INSTALL RIB STIFFENER (SEE NOTE TO RIGHT) ON BOTH SIDES OF LOUVER. FASTEN LOUVER THROUGH STIFFENER W/ K1237-5 #12 FASTENERS @ 2'-0" c/c. (PUSH LOUVER UP TIGHT AGAINST PANEL CONNECTOR PRIOR TO FASTENING) BE SURE TO "DAM" CAULK EACH END OF PANEL CONNECTOR AT LEFT AND RIGHT WALL PANEL RIBS. FINISH CAULK BOTH SIDES OF LOUVER TO WALL PANELS.



**HORIZONTAL SECTION THROUGH LOUVER**

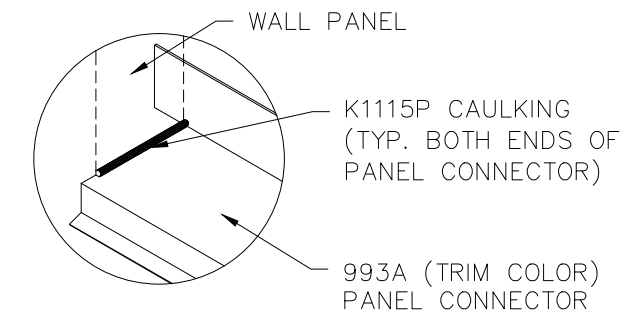


**TYPICAL SECTION @ PANEL CONNECTOR**



**VERTICAL SECTION THROUGH LOUVER**

NOTE: PUSH LOUVER UP TIGHT AGAINST PANEL CONNECTOR PRIOR TO FASTENING

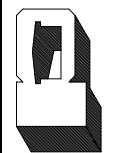


**CAULKING DETAIL**

NOTE: RIB STIFFENERS ARE NOT REQUIRED ON KLA1624 LOUVERS IN 8'-0" HIGH BUILDINGS.

REVISIONS	BY
02-28-97	KAG
08-25-99	DLR
02-14-03	DLR
08-06-10	RAP
02-16-11	RAP
02-25-11	RAP
03-04-11	TLC
02-24-12	TLC

**PARKLINE, INC.**  
 RT. 62, ELEANOR INDUSTRIAL PARK  
 ELEANOR, WV 25070  
 EMAIL: PARKLINE@PARKLINE.COM  
 PHONE: 800-786-4855  
 FAX: 304-586-3842  
 ENGINEER: TOM HARDING  
 THARDING@PARKLINE.COM



JOB DESCRIPTION  
**INSTALLATION OF ADJUSTABLE WALL LOUVER**  
 SHEET TITLE  
**DETAILS**

DATE	08-22-92
DRAWN BY	TLC
SCALE	NTS
ORDER NO.	
REVISION	8

**LVR-A**