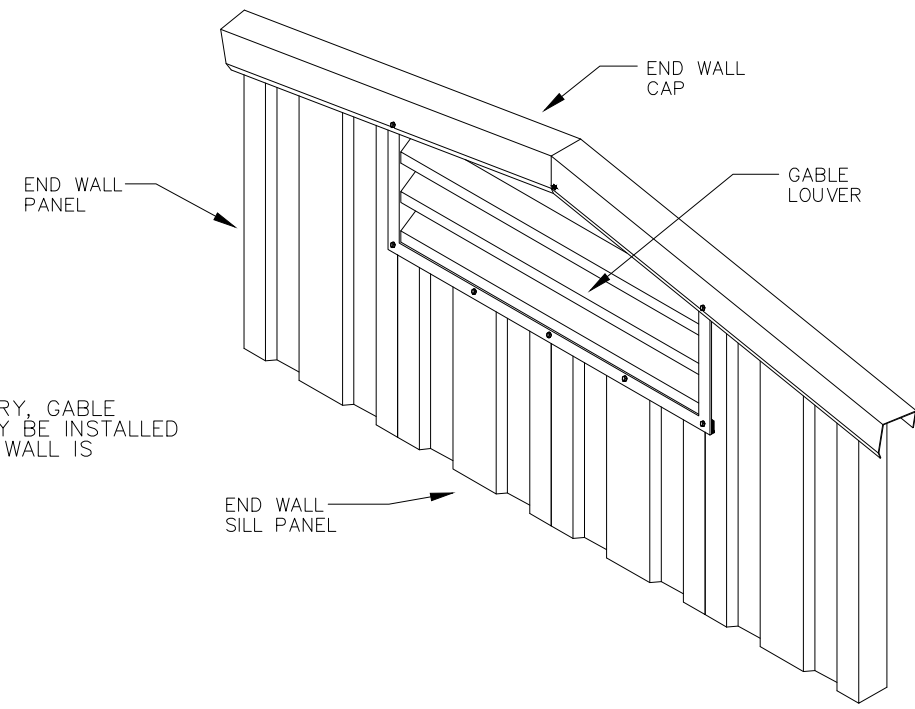
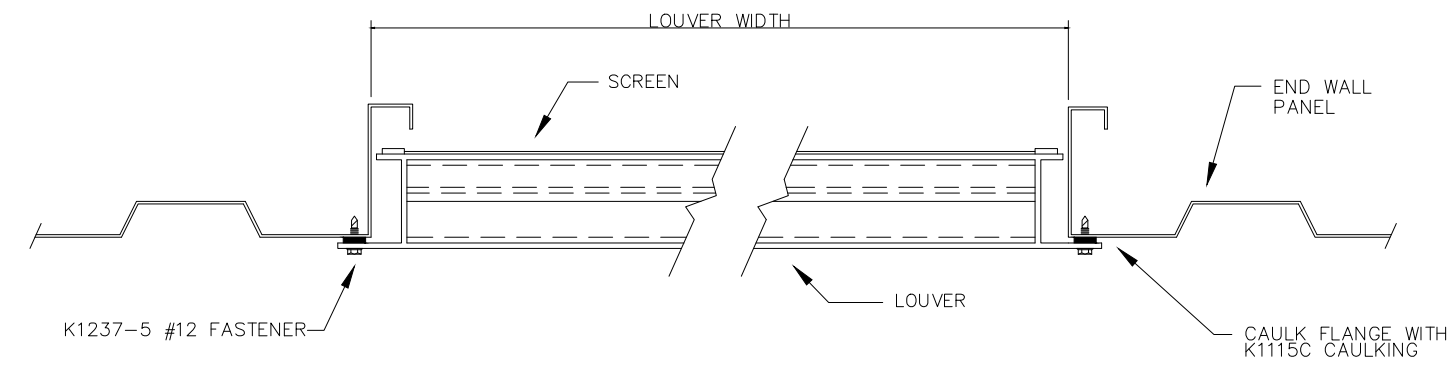


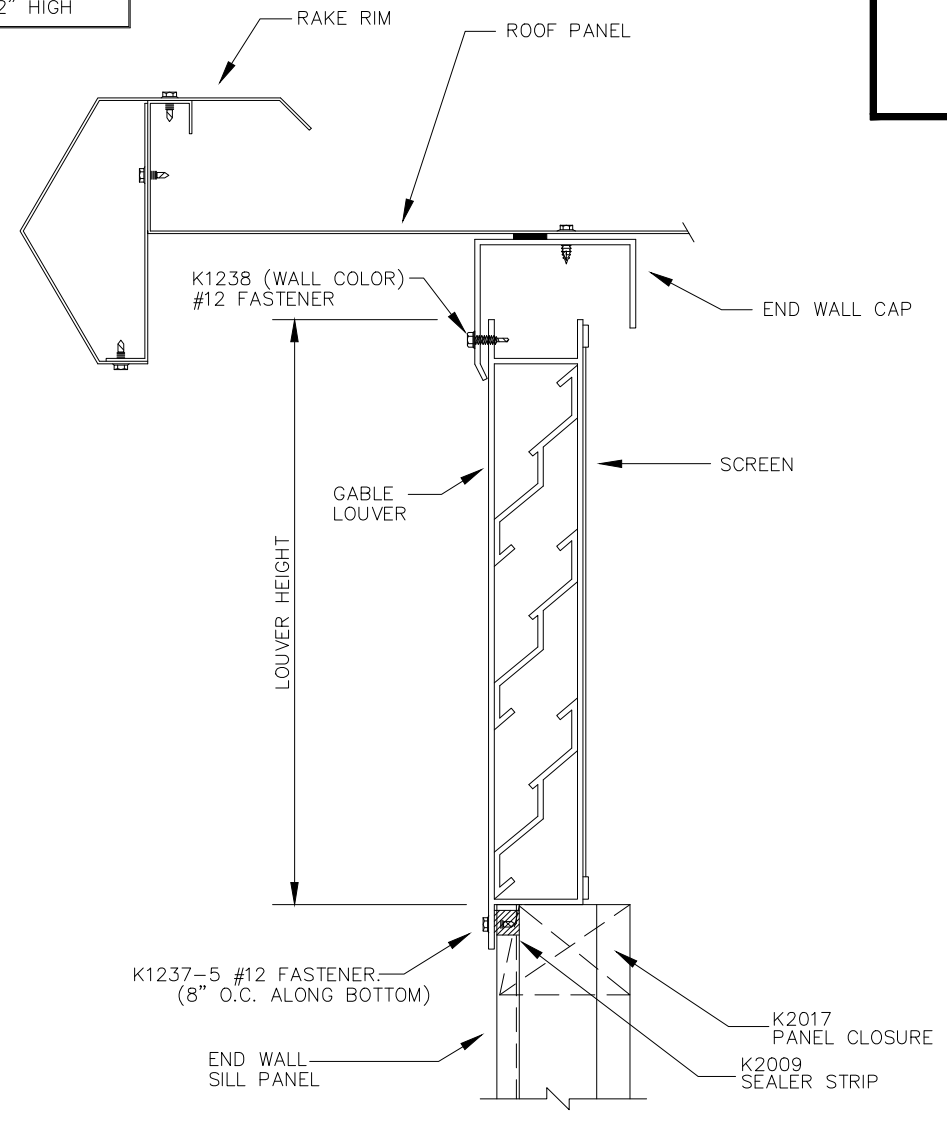
BUILDING WIDTH	PART #	LOUVER SIZE
12' & 20'	KLG3206	32" WIDE x 6" HIGH
16' & 24'	KLG1610	16" WIDE x 10" HIGH
28'	KLG3212	32" WIDE x 12" HIGH
32'	KLG4812	48" WIDE x 12" HIGH



**NOTE:**  
IF NECESSARY, GABLE LOUVER MAY BE INSTALLED AFTER END WALL IS COMPLETED.



**HORIZONTAL SECTION THRU GABLE LOUVER**



**VERTICAL SECTION THRU GABLE LOUVER**

**INSTALLATION PROCEDURE**

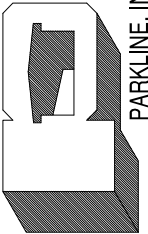
**STEP 1.** REFER TO THE PANEL LOCATION DRAWING FOR SILL PANEL LENGTHS. LOUVER IS TO BE PLACED AT CENTER LINE OF BUILDING.

**STEP 2.** APPLY CAULKING ALONG FLANGES OF LOUVER 1/4" FROM EDGE.

**STEP 3.** SET LOUVER IN PLACE AND FASTEN THROUGH FLANGE INTO FACE OF PANELS WITH #12 FASTENER. (INSTALL K2009 SEALER STRIP AT TOP OF SILL PANEL BEFORE INSTALLING FASTENERS)

**STEP 4.** ATTACH END WALL CAP TO CENTER LINE OF LOUVER WITH K1238 #12 FASTENERS.

REVISIONS	BY
01-11-05	WBD
11-02-06	BHKJ
09-29-11	TLC



**PARKLINE, INC.**  
P O Box 65 Winfield, WV 25213  
phone: (304) 586-2113

**GABLE LOUVER INSTALLATION FOR TYPE 'AL' BUILDINGS**

JOB DESCRIPTION

SHEET TITLE

**DETAIL**

DATE	12-21-94
DRAWN BY	JEH
SCALE	NTS
ORDER NO.	
REVISION	<b>3</b>
DWG. NO.	<b>LVR-G</b>