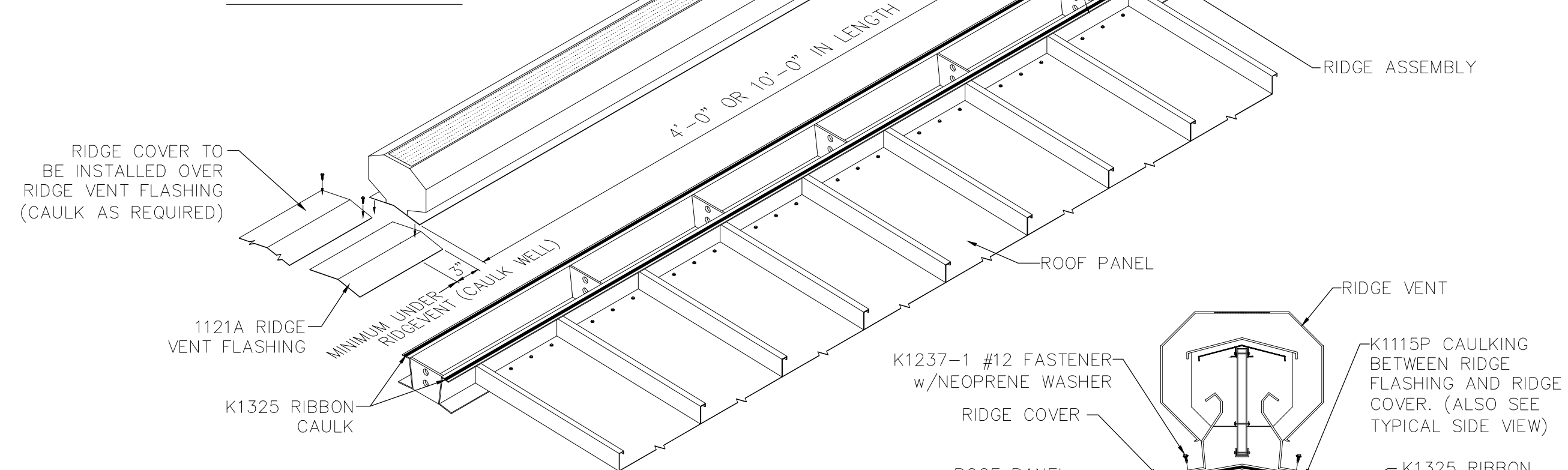
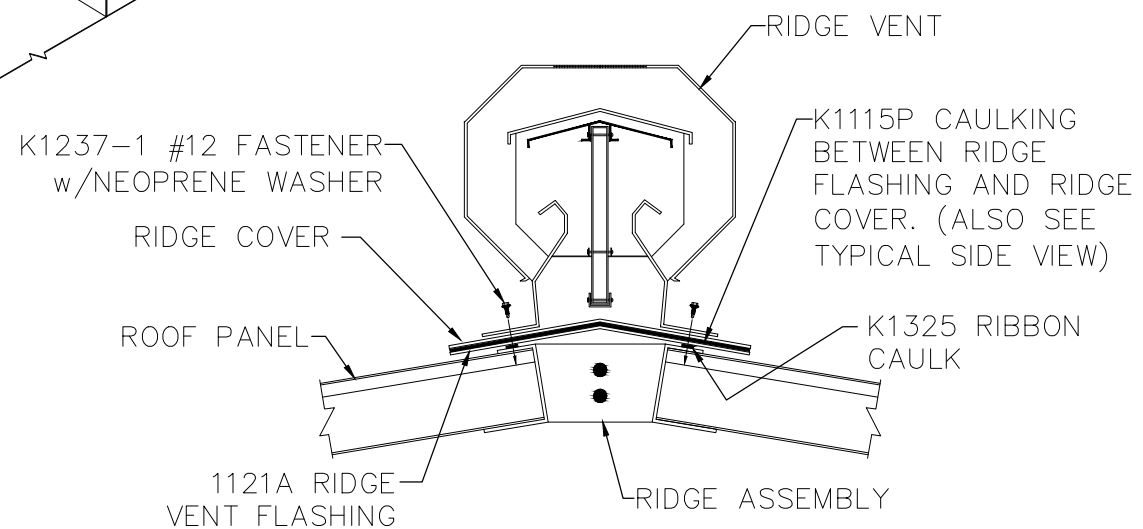


**TYPICAL SIDE VIEW**



**6" MINIMUM SPACE BETWEEN RIDGE VENTS**



**TYPICAL CROSS SECTION**

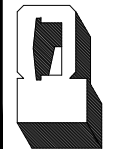
**ERECTOR NOTE:  
DISREGARD MANUFACTURER  
SUPPLIED INSTRUCTION PROVIDED  
WITH RIDGE VENT. INSTALL  
ACCORDING TO PARKLINE ERECTION  
DRAWING AND SPECIFICATIONS.**

**RIDGE VENTILATOR INSTALLATION**

ALSO REFER TO STANDARD ROOF AND  
RIDGE COVER DETAILS SHOWN ON DRAWING  
#AL-ROOF OR #ROOF-6AL

REVISIONS	BY
01-13-05	WBD
09-10-07	CEM
11-29-11	KRK
05-15-2012	KRK

**PARKLINE, INC.**  
RT. 62, ELEANOR INDUSTRIAL PARK  
ELEANOR, WV 25070  
EMAIL: PARKLINE@PARKLINE.COM  
PHONE: 800-786-4855  
FAX: 304-586-3842  
ENGINEER: TOM HARDING  
THARDING@PARKLINE.COM



JOB DESCRIPTION	RIDGE VENT INSTALLATION FOR TYPW 'AL' BUILDINGS
	SHEET TITLE
INSTALLATION DETAILS	

DATE	10-17-03
DRAWN BY	RAP
SCALE	NTS
ORDER NO.	
REVISION	4

RIDGEVENT-AL