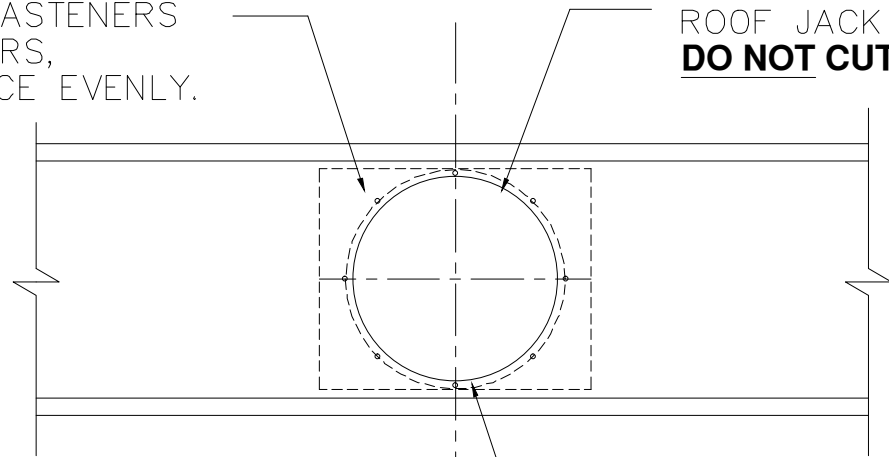


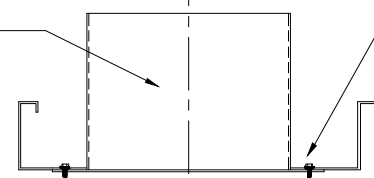
K1237-1 #12 x 1" FASTENERS
W/NEOPRENE WASHERS,
11 PROVIDED - SPACE EVENLY.

FIELD CUT HOLE IN PANEL FOR ROOF JACK
ROOF JACK IS INSERTED FROM UNDERSIDE OF ROOF.
DO NOT CUT ROOF PANEL RIBS!

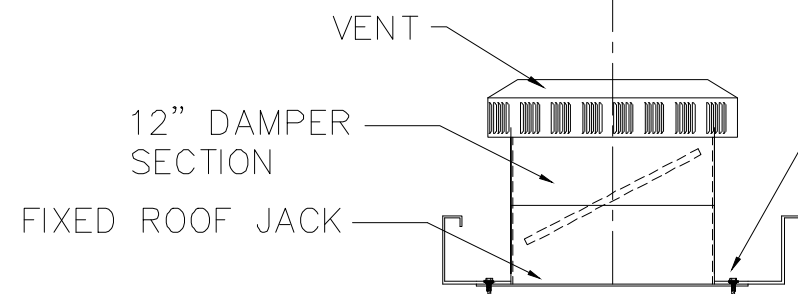


CAULK AROUND ROOF JACK TO
ROOF PANEL W/K1115P CAULKING.

FIXED OR K615B
ADJUSTABLE ROOF JACK.



K1237-1 #12 x 1" FASTENERS
W/NEOPRENE WASHERS.



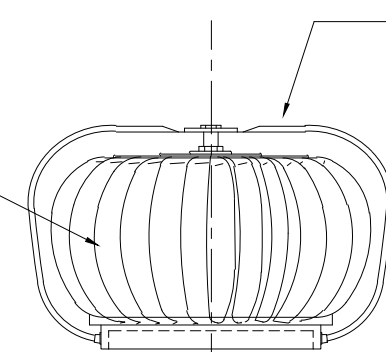
K1183-1A FIXED VENT

PRIMARIALY USED ON TYPE 'S' BUILDINGS. VENT, DAMPER, AND FIXED
ROOF JACK ARE PACKAGED IN ONE BOX. IF USED ON TYPE 'AL'
BUILDINGS SUBSTITUTE THE K615B ADJUSTABLE ROOF JACK, FOR THE
FIXED JACK.

NOTE:

BUILDINGS WHICH USE THE
P68, (6" LEG, 12" WIDTH)
ROOF PANELS CANNOT USE
THE STANDARD 12"Ø VENT.
AN 8"Ø VERSION OF THE
TURBINE VENT IS
AVAILABLE.

BALANCED
ROTOR

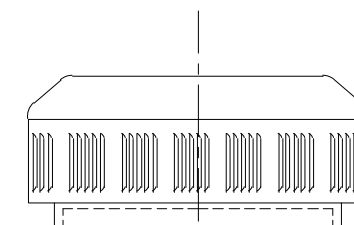


K612 TURBINE VENT

EXTERNAL
BRACING

NOTE:

K615B 12" ADJUSTABLE
ROOF JACK IS ALWAYS
USED ON THE TURBINE
VENT AND POWER VENT.



K700PX POWER VENT

WARNING!

ALWAYS USE FALL PROTECTION
WHILE WORKING AROUND ROOF
OPENINGS.

REVISIONS	BY
4-7-08	BAS

PARKLINE, INC.
P O Box 65 Winfield, WV 25213
phone: (304) 586-2113

JOB DESCRIPTION	CIRCULAR ROOF VENTILATORS INSTALLATION DETAILS
SHEET TITLE	SECTIONS DETAILS

DATE	01-17-05
DRAWN BY	CBP
SCALE	N.T.S.
ORDER NO.	
REVISION	1
DWG. NO.	VENT-12