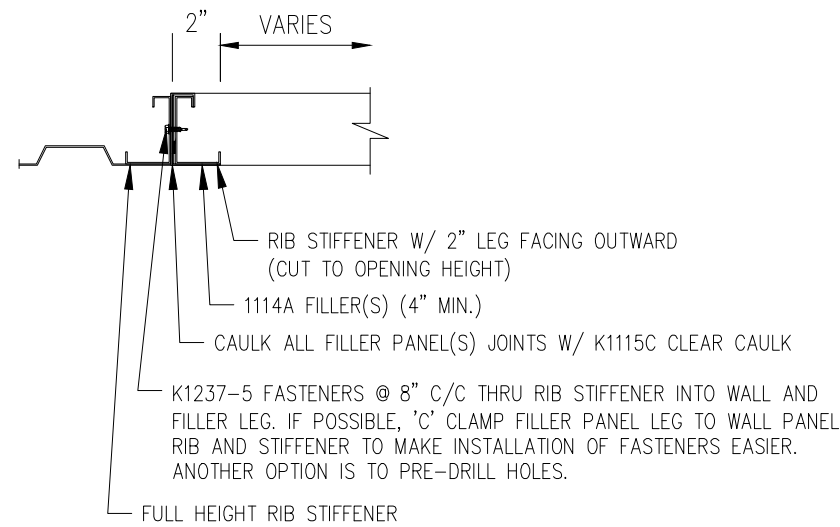
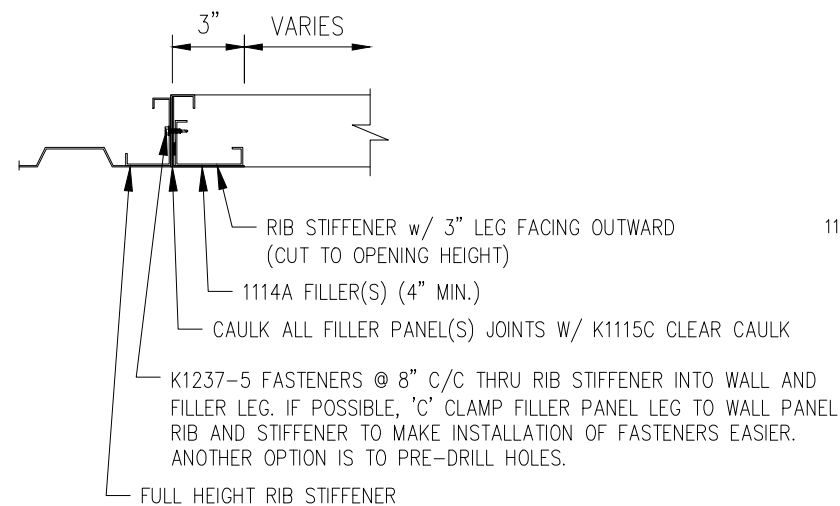


NOTES:

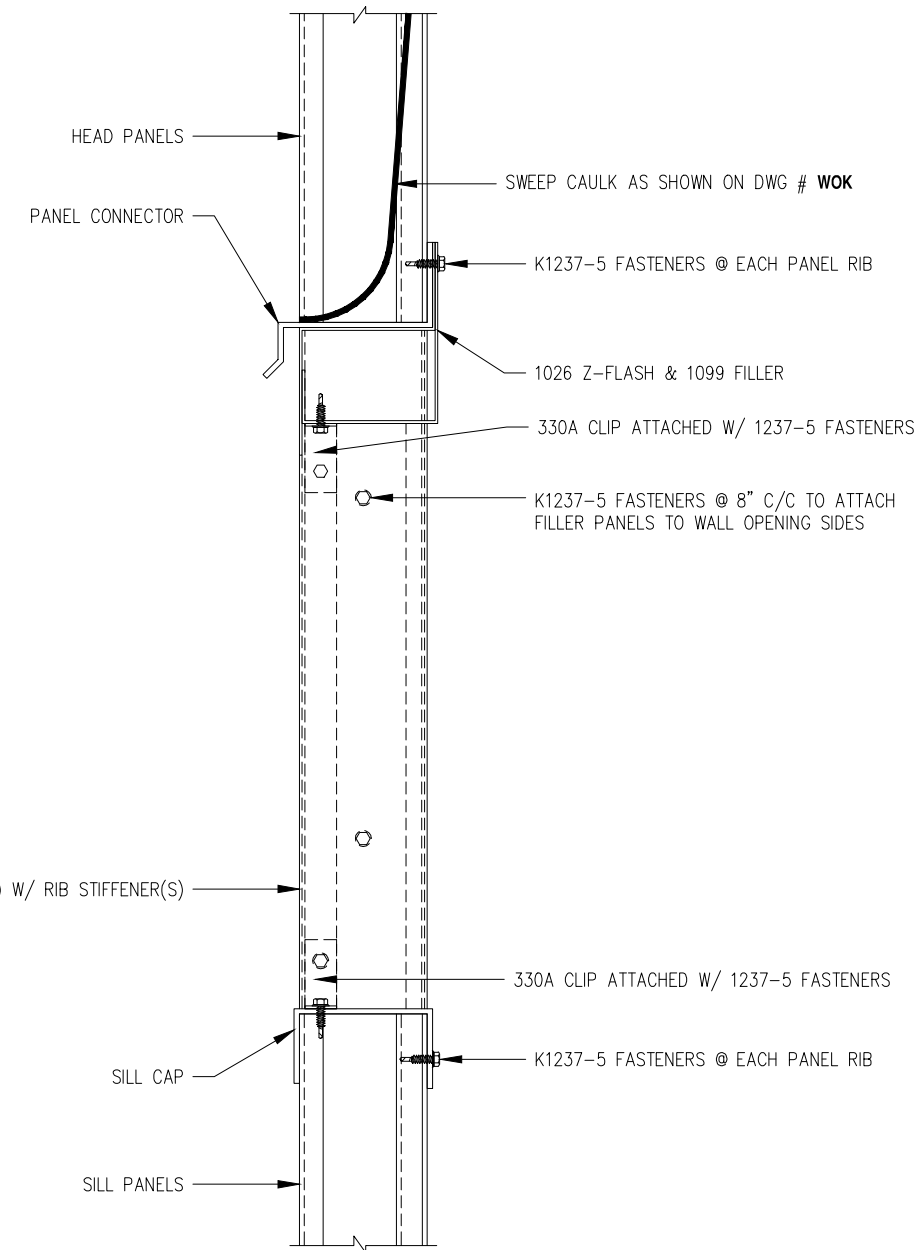
1. WALL OPENING KITS W/ PARTIAL FILLERS ALLOW FIELD INSTALLATION OF EXHAUST FANS, LOUVERS, HVAC UNITS, ETC. WITHOUT AFFECTING STRUCTURAL STABILITY OF BUILDING WALL.
2. INSTALL BASIC WALL OPENING KIT PER DWG # WOK.
3. 2'-8" WIDE OPENING IS SHOWN. DETAILS APPLY TO ALL WIDTH WALL OPENINGS.
4. FILLER SIZE WILL VARY DEPENDING ON FINISH OPENING HEIGHT REQUIRED.
5. CUT RIB STIFFENER TO OPENING SIZE AND INSTALL W/ 330A CLIPS & K1237-5 FASTENERS AS SHOWN IN SECTIONS.
6. SWEEP CAULK JOINTS OF WALL OPENING TO FILLERS W/ K1115C CLEAR CAULK.



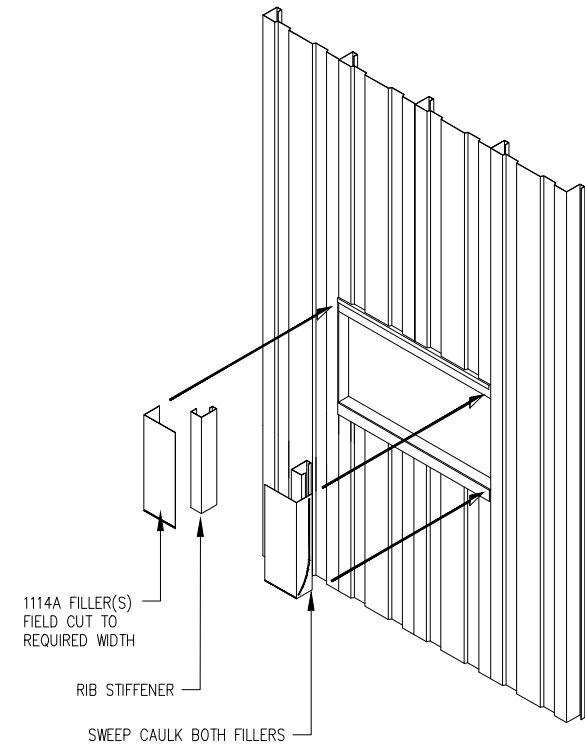
**TYPICAL SECTION
FOR 2" WIDE FILLER**



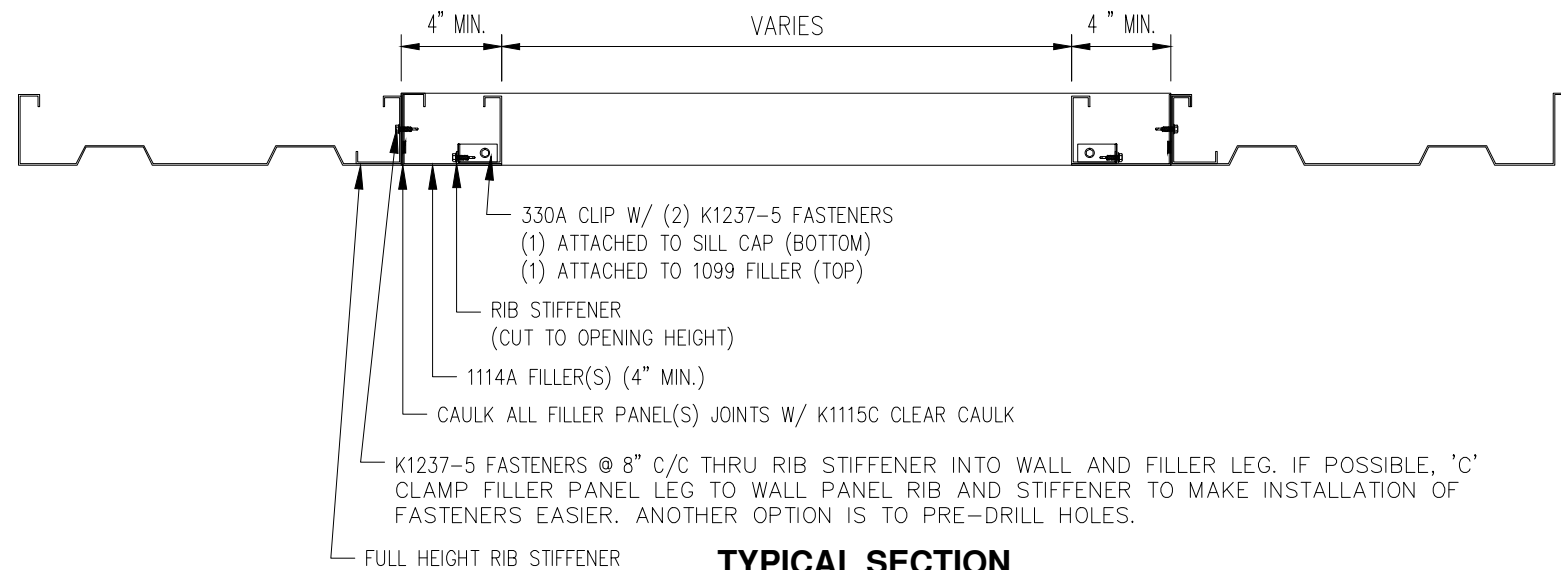
**TYPICAL SECTION
FOR 3" WIDE FILLER**



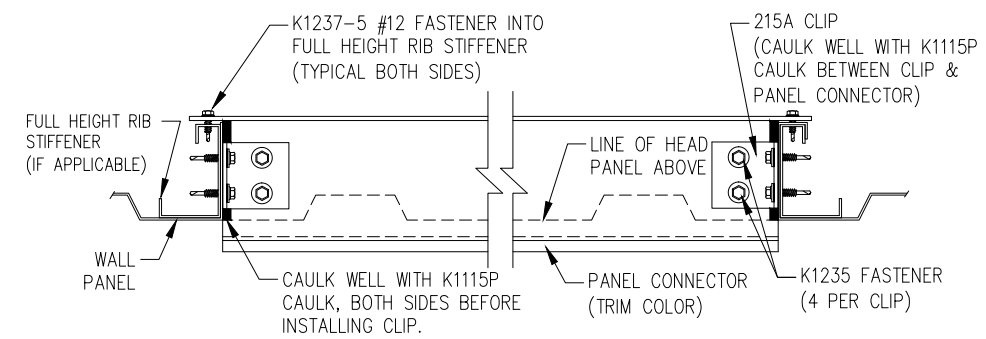
VERTICAL SECTION



EXTERIOR VIEW



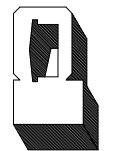
**TYPICAL SECTION
FOR 4" OR MORE WIDE FILLER**



TYPICAL SECTION @ PANEL CONNECTOR

REVISIONS	BY
05-24-11	RAP
05-26-11	KRK
02-27-12	TLC

PARKLINE, INC.
 RT. 62, ELEANOR INDUSTRIAL PARK
 ELEANOR, WY 25070
 EMAIL: PARKLINE@PARKLINE.COM
 PHONE: 800-786-4855
 FAX: 304-586-3842
 ENGINEER: TOM HARDING
 THARDING@PARKLINE.COM



JOB DESCRIPTION
**WALL OPENING KIT
 W/ FILLER INSTALLATION**

SHEET TITLE
SECTIONS & DETAILS

DATE	03/15/11
DRAWN BY	KRK
SCALE	NTS
ORDER NO.	
REVISION	3

WOK-FIL-2