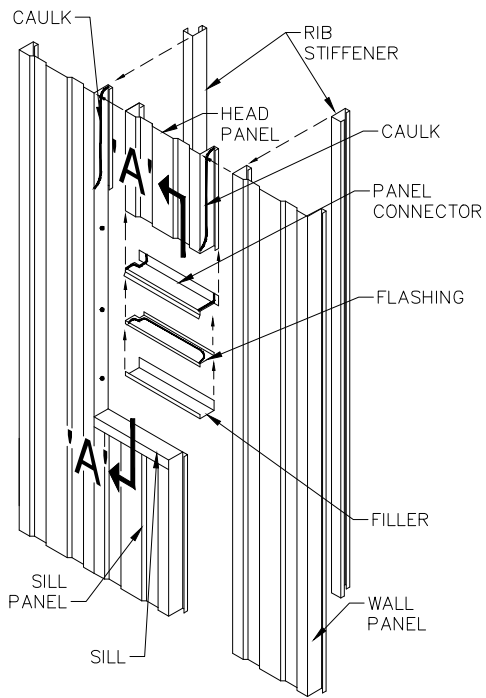


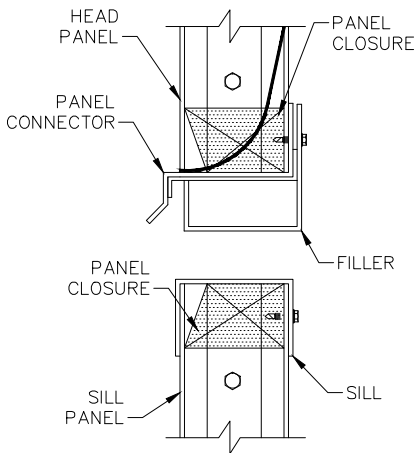
1'-4" WIDE WALL OPENING

PRODUCT DESCRIPTION

Wall opening kits are provided to structurally replace the wall panels removed for any opening required. If the item being installed in the wall is not provided by Parkline all trim, flashing, hardware, and sealant to make the unit weather tight is not provided by Parkline.



EXTERIOR ELEVATION



SECTION - 'A'-'A'

NOTES:

1. - Refer to Floor Plan and Elevation Drawing for exact size and location of accessories.
2. - Wall opening kits for customer supplied accessories must be field located, cut and flashed, unless prior arrangements are made with Parkline.
3. - For factory cutting of these openings, the exact location and finished opening sizes must be provided to Parkline.