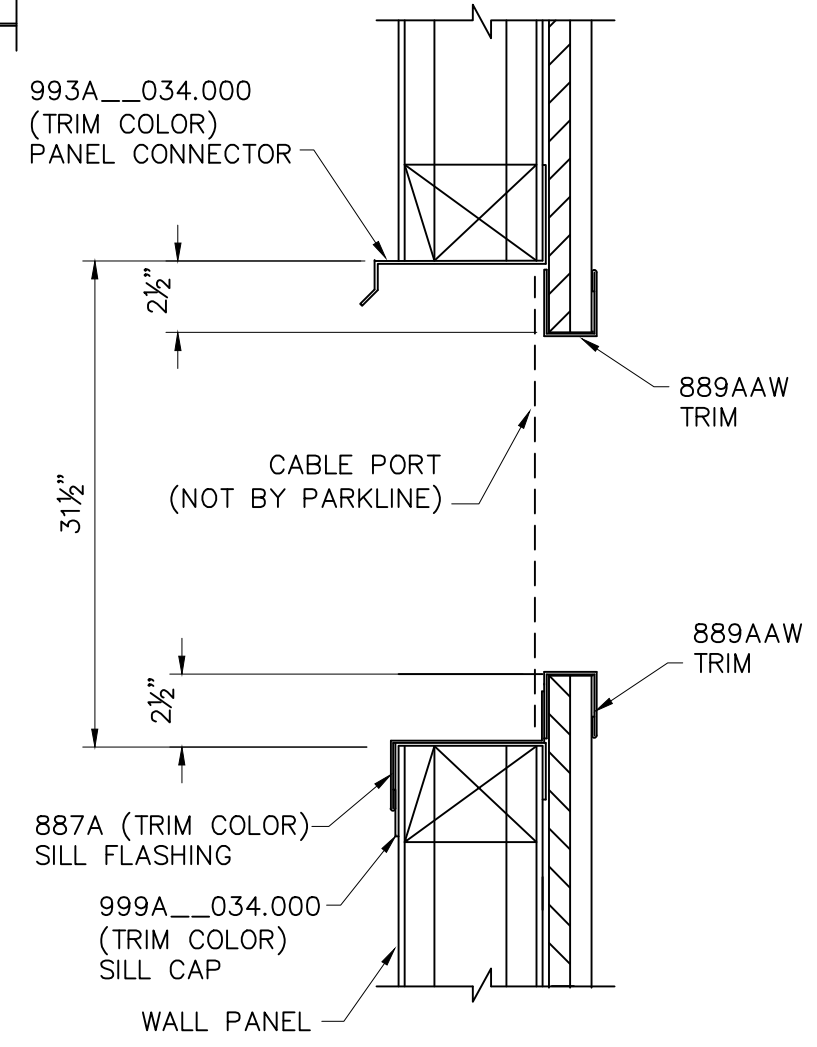


HORIZONTAL SECTION THRU CABLE PORT OPENING



VERTICAL SECTION

NOTE:
 INSTALL BASIC WALL OPENING KIT PER DWG # WOK.

REVISIONS	BY
03-19-09	KRK
03-09-11	TLC

PARKLINE, INC
 P O Box 65 Winfield, WV 25213
 phone: (304) 586-2113

JOB DESCRIPTION | **ABUCK SMYRNA, GA** | SHEET TITLE | **CABLE PORT OPENING DETAIL**

DATE	08-09-00
DRAWN BY	CBP
SCALE	NTS
ORDER NO.	
REVISION	2

ABUCK-C-PORT-S