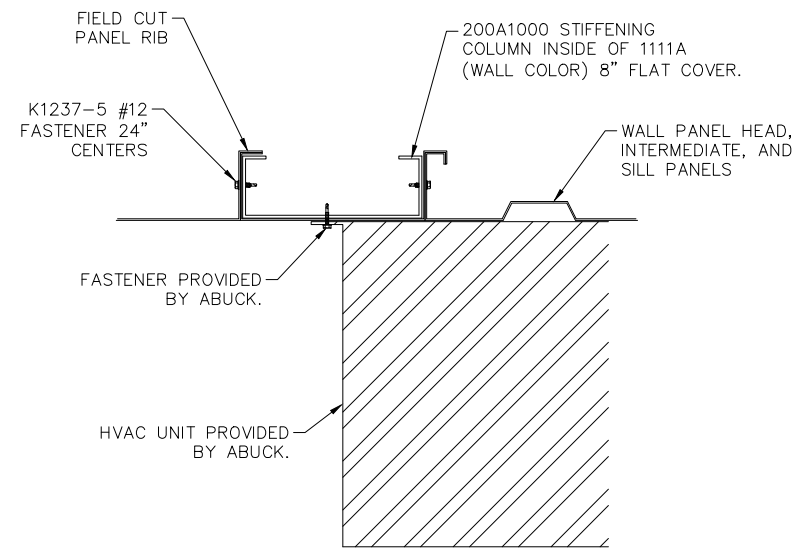
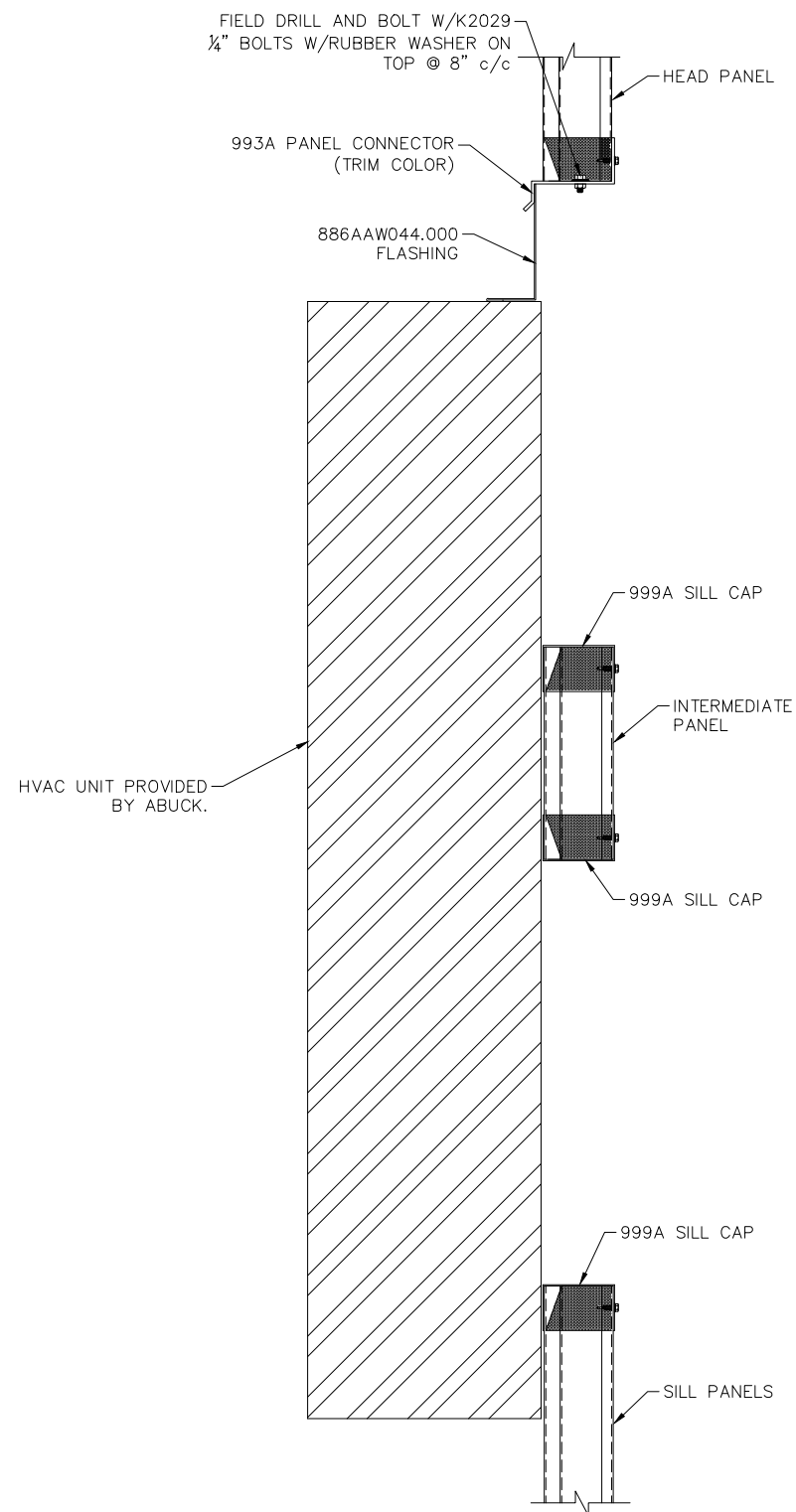


SECTION THRU END WALL



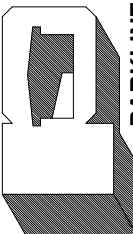
HORIZONTAL SECTION THRU HVAC UNIT



VERTICAL SECTION THRU HVAC UNIT

NOTE:
INSTALL WALL OPENING KITS PER DRAWING# WOK.

REVISIONS	BY
11-13-06	BHKJ
01-28-10	JMC
11-2-10	CBP
05-31-12	RAP



PARKLINE, INC
P O Box 65 Winfield, WV 26213
phone: (304) 586-2113

JOB DESCRIPTION
**WALL MOUNTED HVAC UNIT WALL
OPENING AND RAKE TRIM INSTALLATION
FOR "ABUCK" BUILDINGS ONLY.**

SHEET TITLE
SECTIONS AND DETAILS

DATE	02/27/98
DRAWN BY	CBP
SCALE	NTS
ORDER NO.	
REVISION	4

ABUCK-HVAC-S