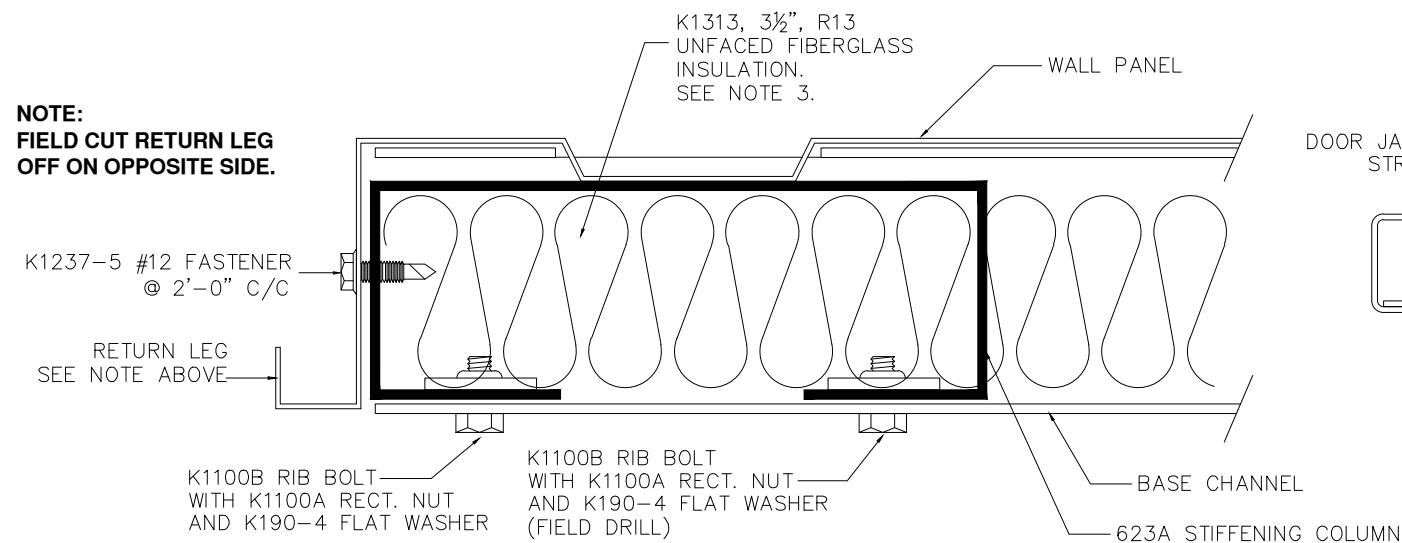
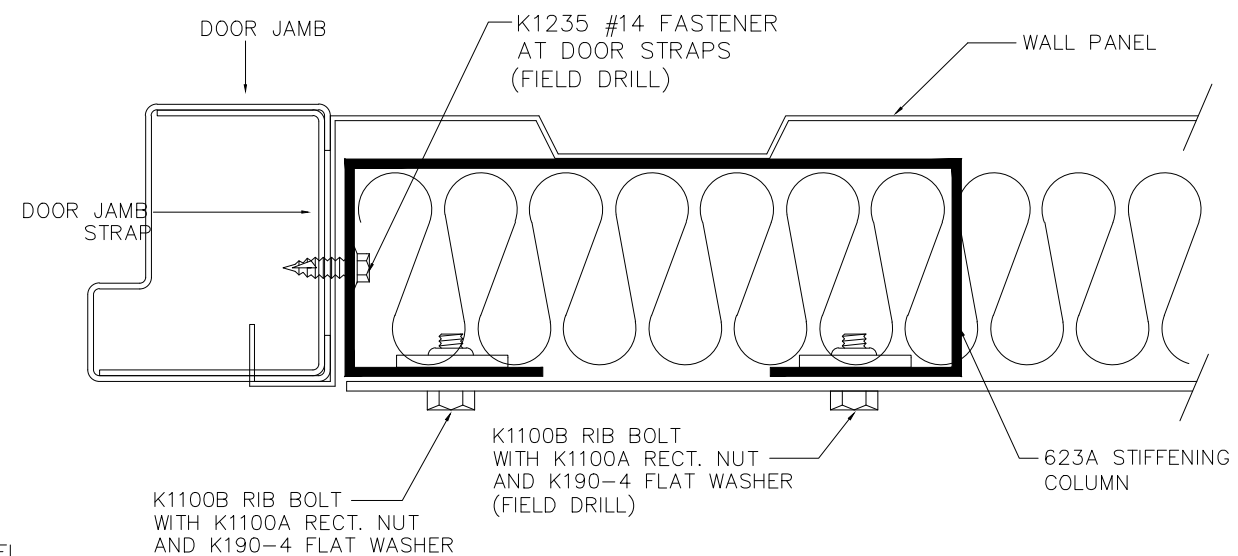


STIFFENING COLUMNS ARE INSTALLED TO HELP RESIST WIND PRESSURE AND STRENGTHEN WALLS THAT HAVE BEEN WEAKENED BY PANEL OPENINGS. REFER TO JOB SPECIFIC ELEVATION DRAWING FOR ACCESSORIES THAT REQUIRE STIFFENING COLUMNS.



BASE DETAIL



SECTION THRU DOOR

ASSEMBLY PROCEDURE

1. INSTALL 623A STIFFENING COLUMNS WITH WALL PANELS.
2. PLACE STIFFENING COLUMNS IN BASE CHANNEL & BOLT INTO PLACE WITH K1100B 3/8" RIB BOLT, K1100A RECT. NUT AND K190-4 WASHER. (USE HOLE IN STIFFENING COLUMN AS TEMPLATE WHEN FIELD DRILLING IS REQUIRED)
3. INSTALL WALL CAP OVER WALL PANELS & STIFFENING COLUMNS. BOLT TOGETHER WITH RIB BOLTS. (FIELD DRILLING REQUIRED)*
4. FASTEN PANEL RIB TO STIFFENING COLUMN WITH K1237-5 #12 FASTENER AT 2'-0" C/C.
5. FASTEN RIBS OF HEAD PANELS WITH K1235 #14 STITCH SCREWS. (MINIMUM 2 PER PANEL)

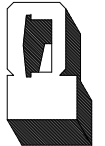
* FOR ENDWALL OF TYPE 'AL' BUILDINGS, BOLT STIFFENING COLUMN TO ENDWALL GIRT. (FIELD DRILLING REQUIRED)

NOTES:

1. THIS STIFFENING KIT WILL NOT WORK IN A CORNER PANEL! REFER TO DRAWING **CSK-1** FOR THIS APPLICATION.
2. FIELD DRILL ALL HOLES FOR 3/8"Ø RIB BOLTS AS REQUIRED. ALL 3/8"Ø RIB BOLTS ARE: K1100B BOLT, K1100A RECT. NUT AND K190-4 WASHER.
3. PRIOR TO CLOSING OFF ACCESS TO INTERIOR OF STIFFENING COLUMN, INSTALL INSULATION IF REQUIRED.

REVISIONS	BY
01-07-98	CBP
12-10-03	RAP
01-24-05	DLR
11-07-06	BHKJ
01-11-07	BHKJ
03-04-09	JMC
02-23-2012	KRK

PARKLINE, INC.
 RT. 62, ELEANOR INDUSTRIAL PARK
 ELEANOR, WV 25070
 EMAIL: PARKLINE@PARKLINE.COM
 PHONE: 800-786-4855
 FAX: 304-586-3842
 ENGINEER: TOM HARDING
 THARDING@PARKLINE.COM



JOB DESCRIPTION
**ACCESSORY STIFFENING
 KIT INSTALLATION**

DETAILS

DATE	06-28-96
DRAWN BY	KAG
SCALE	NTS
ORDER NO.	
REVISION	7

ASK-2